

Best possible ergonomic handle for driver-drill applications



A In order to provide maximum thrust to the bit, the top back of the handle is ergonomically contoured and widened according to the U-shape formed between user's thumb and index finger.

B Ribbed rubber grip enables all finger tips to hold the handle securely against the strong rotational force of counter torque even in single-handed operation.

All metal gear construction
Extra-high transmission durability



Belt clip and bit holder
For right handed users, belt clip on left and bit holder on right, and vice versa for left handed users; each standard accessory can be attached/removed simply by loosening/ fastening a screw.



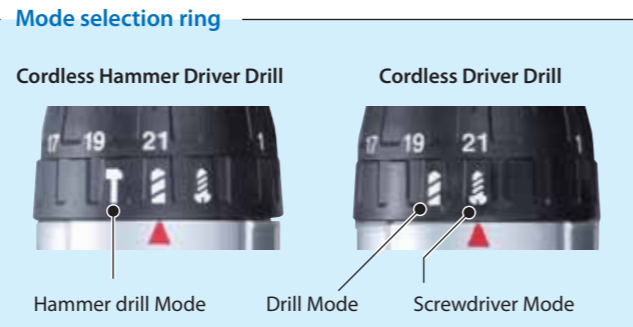
Battery fuel gauge
The power remaining in the battery can be indicated in 3 stages simply by pushing a button; 3 lights on: more than 50% of full battery capacity
2 lights on: 20% to 50% of full battery capacity
1 light on: less than 20% of full battery capacity



Battery protector (Option)
designed to protect the battery cartridge from dust and dripping water in outdoor applications or harsh environments.



*weight according to EPTA-Procedure 01/2003 Items of standard equipment and specifications may vary by country or area.



Single sleeve keyless chuck
allows for easy bit installation/removal by one hand.

Torque setting ring
Wider torque range of 1-10 N.m in clutch mode allows for versatile applications.

Battery
Model: BDF458, BHP458 Model: BDF448, BHP448
BL1830: 18V 3.0Ah BL1430: 14.4V 3.0Ah

Charger
DC18RC / DC18RA DC18SD
Charging time Charging time
22minutes 60minutes

Photo: BHP458

Cordless Driver Drill	BDF458 / BDF448 13mm (1/2")	440
Cordless Hammer Driver Drill	BHP458 / BHP448 13mm (1/2")	440



	BDF458 18V LITHIUM-ION	BDF448 14.4V LITHIUM-ION	BHP458 18V LITHIUM-ION	BHP448 14.4V LITHIUM-ION
Capacity	Steel: 13mm (1/2") Wood: 76mm (3") Masonry: -	Steel: 13mm (1/2") Wood: 65mm (2-9/16") Masonry: -	Steel: 13mm (1/2") Wood: 76mm (3") Masonry: 16mm (5/8") Hi: 0-30,000 Lo: 0-6,000	Steel: 13mm (1/2") Wood: 65mm (2-9/16") Masonry: 14mm (9/16") Hi: 0-27,000 Lo: 0-5,200
Impacts per minute (ipm)	-	-	Hi: 0-2,000 Lo: 0-400	Hi: 0-1,800 Lo: 0-350
No load speed (rpm)	Hi: 0-2,000 Lo: 0-400	Hi: 0-1,800 Lo: 0-350	Hi: 0-2,000 Lo: 0-400	Hi: 0-1,800 Lo: 0-350
Max. fastening torque	Hard / Soft: 91 / 58N.m	Hard / Soft: 77 / 43N.m	Hard / Soft: 91 / 58N.m	Hard / Soft: 77 / 43N.m
Dimensions (L x W x H)	225x79x259mm (8-7/8"x3-1/8"x10-1/4")	225x79x259mm (8-7/8"x3-1/8"x10-1/4")	225x79x259mm (8-7/8"x3-1/8"x10-1/4")	225x79x259mm (8-7/8"x3-1/8"x10-1/4")
Net Weight*	2.3kg (5.0lbs)	2.2kg (4.8lbs)	2.3kg (5.1lbs)	2.2kg (4.9lbs)

Standard Equipment:
Fast Charger, Battery Cartridge, (+) (-) Bit, Grip Assembly, Belt Clip, Depth Rod (BHP458, BHP448)



Cordless Driver Drill
Cordless Hammer Driver Drill

Satisfy Professional's Needs



Photo: BHP458
Tool does not come with bit.

XPT
EXTREME PROTECTION TECHNOLOGY

ROBUST ALL-ROUNDER

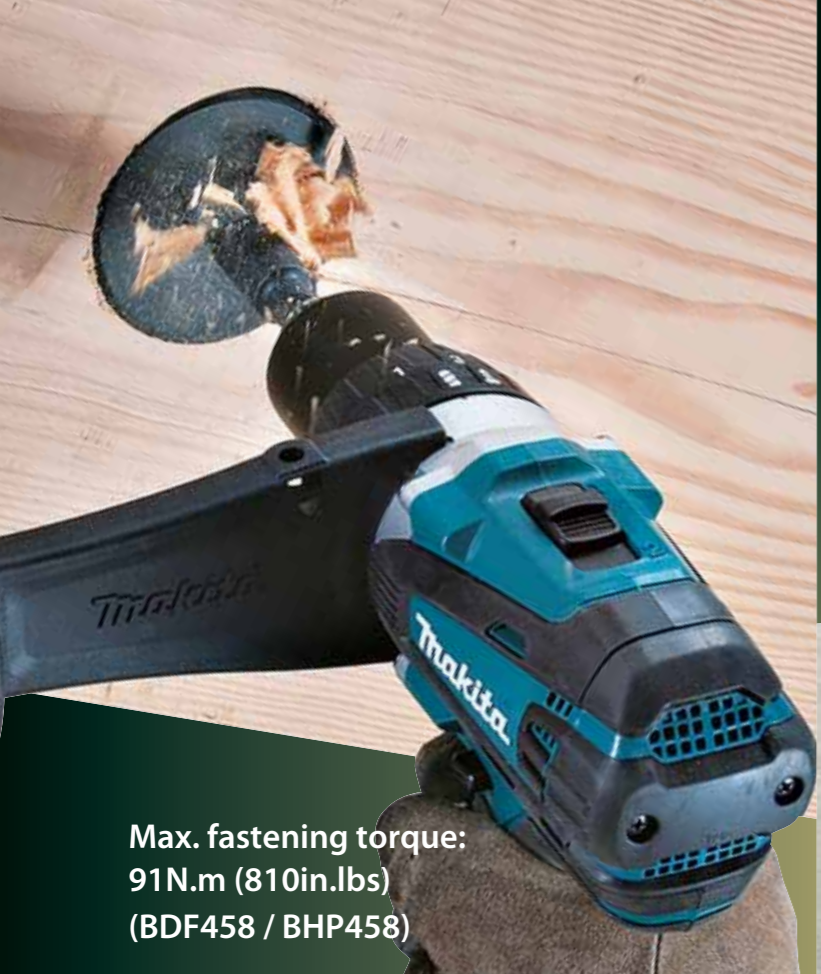


Cordless Driver Drill BDF458 18V BDF448 14.4V Cordless Hammer Driver Drill BHP458 18V BHP448 14.4V

Makita Corporation

3-11-8 Sumiyoshi-cho, Anjo, Aichi, 446-8502 Japan

PRINTED IN JAPAN BC-4F



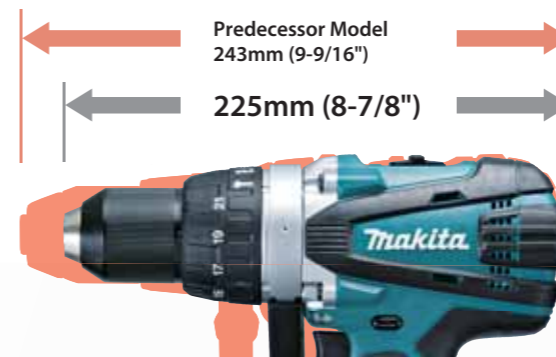
Max. fastening torque:
91N.m (810in.lbs)
(BDF458 / BHP458)



Hammer drill Mode
(BHP458 / BHP448)

Extremely Compact Tool Size

Allows for easy access to screws in tight places.



MORE POWER AND SPEED

Max. fastening torque of 91N.m / No load speed of 2,000rpm

Increased Durability

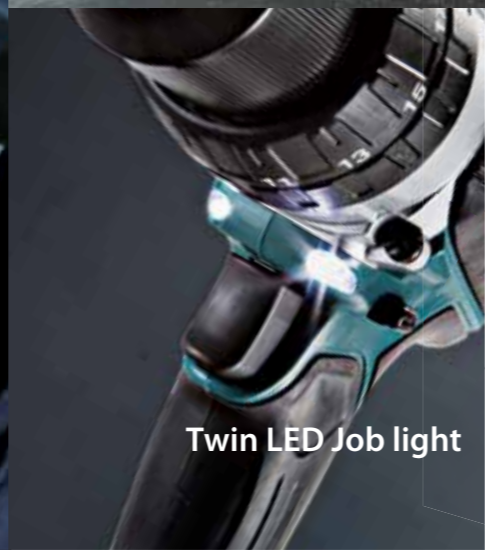
Enhanced Dust and Drip-resistant Performance ensure reliable operation even under bad weather.



XPT
EXTREME PROTECTION TECHNOLOGY



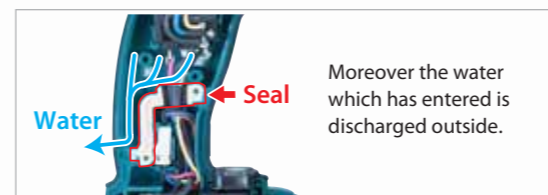
High speed drilling



Twin LED Job light

Extreme Protection Technology

For use in outdoor applications or harsh environments, protection from dust and dripping water is enhanced compared with existing model.



The pictures do not mean to ensure the products are perfectly durable against dust and water, though they are designed to prevent dust and water ingress.

