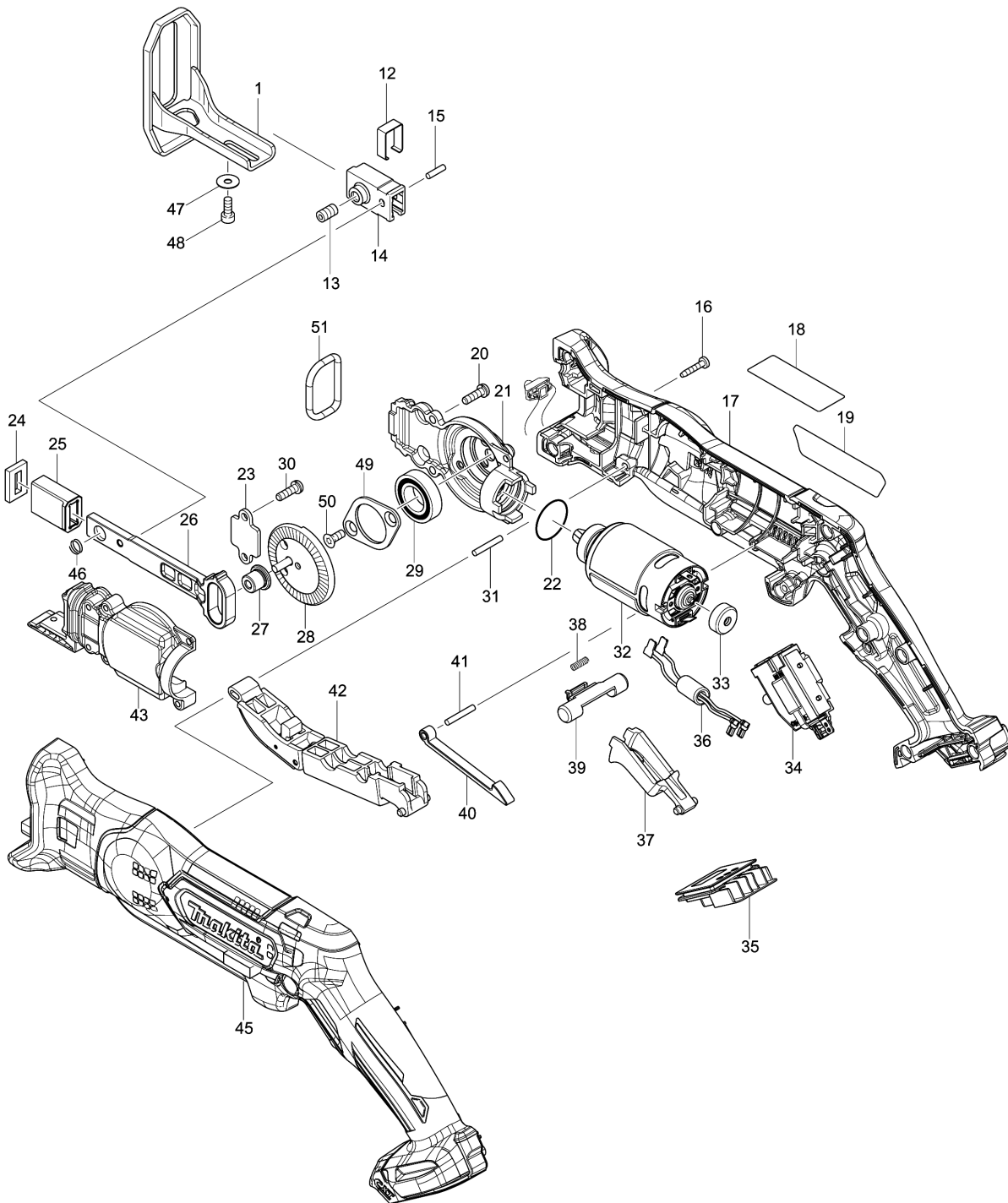


Model No. JR105D CORDLESS RECIPRO SAW



Model No.JR105D CORDLESS RECIPRO SAW

មុខ ទំនិញ	លេខផ្នែក	ព័ណ៌នា	I/C	Qty	New/Old	Sales	Purch.	Note
001	165740-8	SHOE		1				
012	346526-1	CLAMPER		1				
013	251961-9	H.S.SET SCREW(FLAT POINT)M6X10		1				
014	310497-8	BLADE CLAMP		1	*			
014-1	310978-2	BLADE CLAMP	<	1				
015	256157-7	PIN 3		1				
016	266429-2	TAPPING SCREW 3X16		10				
017	183C31-3	HOUSING SET		1				
C10	263002-9	RUBBER PIN 4		3				
D10		INC. 45						
019	851J07-7	JR105D NAME PLATE		1	*			
019-1	851J06-9	JR105D NAME PLATE	<	1				
020	266747-8	PAN HEAD SCREW M4X14 WITH WM		3				
021	319060-4	GEAR HOUSING		1				
022	213961-7	O RING 22		1				
023	346525-3	PLATE		1				
024	443185-3	FELT SEAL		1				
025	313220-0	SLIDER GUIDE		1				
026	313269-0	SLIDER N		1				
027	313270-5	COLLARED SLEEVE 4		1				
028	142284-5	GEAR COMPLETE		1				
029	211242-3	BALL BEARING 6902ZZ		1				
030	266747-8	PAN HEAD SCREW M4X14 WITH WM		2				
031	256158-5	PIN 3		1				
032	629165-5	DC MOTOR		1				
033	424467-2	CAP		1				
034	632F47-8	SWITCH UNIT		1				
C10	620447-8	LED CIRCUIT		1				
035	644813-5	TERMINAL		1				
037	453072-8	SWITCH LEVER R		1				
038	233438-6	COMPRESSION SPRING 4		1				
039	454661-2	LOCK OFF LEVER R		1				
040	313219-5	LINK		1				
041	256158-5	PIN 3		1				
042	141128-6	SWITCH LEVER F COMPLETE		1				
043	319061-2	GEAR HOUSING COVER		1				
045	183C31-3	HOUSING SET		1				
C10	263002-9	RUBBER PIN 4		3				
D10		INC. 17						
046	234258-1	COMPRESSION SPRING 7		1				

Model No.JR105D CORDLESS RECIPRO SAW

មុខ ទំនិញ	លេខផ្នែក	ព័ណ៌នា	I/C	Qty	New/Old	Sales	Purch.	Note
047	253874-0	FLAT WASHER 4		1				
048	922112-8	HEX. SOCKET HEAD BOLT M4X10		1				
049	285738-0	BEARING RETAINER 36		1				
050	265035-0	COUNTERSUNK HEAD SCREW M4X10		2				
051	424597-9	RUBBER RING 23		1				
A01	783201-2	HEX. WRENCH 3		1				
A02	B-20432	RECIPROSAW BLADE 100MM		1				
A03	B-20404	RECIPROSAW BLADE 100MM		1				
A04B	456128-6	BATTERY COVER		1				
A04C	456128-6	BATTERY COVER		1				
A05B	***DC10SB	DC10SB BATTERY CHARGER		1				
D10		COMPO-PARTS						
A05C	***DC10SB	DC10SB BATTERY CHARGER		1				
D10		COMPO-PARTS						
A06B	197393-5	BATTERY BL1016 SET		2				
A06C	197396-9	BATTERY BL1021B SET		2	*			
A06-1C	197396-9	BATTERY BL1021B SET	O	2				
A07B	821662-9	PLASTIC CARRYING CASE		1				
C10	162315-4	LATCH		2				
A07C	821662-9	PLASTIC CARRYING CASE		1				
C10	162315-4	LATCH		2				

Please order the parts with part number.

Print Date 1/9/2022