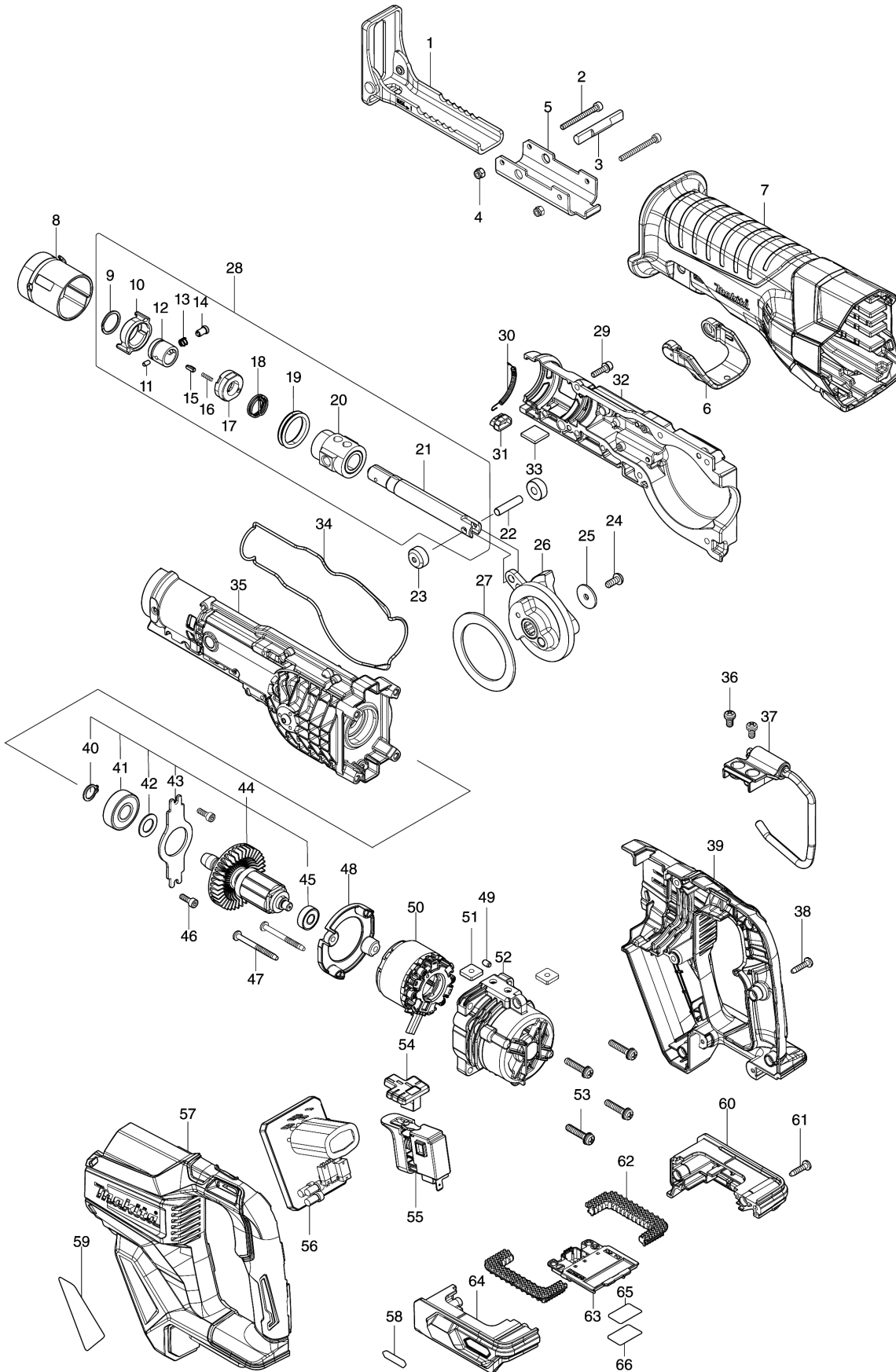


Model No. JR001G CORDLESS RECIPRO SAW



Model No.JR001G CORDLESS RECIPRO SAW

មុខ ទំនិញ	លេខផ្នែក	ព័ណ៌នា	I/C	Qty	New/Old	Sales	Purch.	Note
001	162739-4	SHOE		1				
002	265A78-8	HEX SOCKET HEAD BOLT M4X40		2				
003	326599-0	កន្លាស់ចាក់សោរ		1				
004	252126-6	HEX. LOCK NUT M4-7		2				
005	347637-5	SHOE GUIDE PLATE		1				
006	459924-1	LOCK LEVER		1				
007	422542-8	INSULATION COVER		1				
008	459923-3	RELEASE DRUM		1				
009	257430-8	RETAINING RING(EXT)18		1				
010	310848-5	បំពង់ដុំដំណើរការ		1				
011	268094-3	កន្លាស់ 3		1				
012	327043-0	GUIDE SLEEVE		1	*			
012-1	327650-9	GUIDE SLEEVE	S	1				
013	234381-2	វិស័របង្ហាប់ 6		1				
014	256569-4	កន្លាស់ក្បាល 5		1				
015	310912-2	PUSH PIN		1				
016	232472-3	COMPRESSION SPRING 2		1				
017	458968-8	CONNECTING SLEEVE		1				
018	233594-2	វិស័របន្លឹង 17		1				
019	422309-4	រឹងកៅស៊ូ 25		1				
020	140P52-6	SLIDER GUIDE COMPLETE		1				
C10	213174-0	វិញ្ញាណអក្សរ X 14		1				
021	327154-1	SLIDER		1	*			
021-1	327652-5	SLIDER	S	1				
022	256945-2	PIN 6		1				
023	310991-0	ROLLER		2				
024	265374-8	H.S. BUTTON HEAD SCREW M5X12		1				
025	253462-3	FLAT WASHER 5		1				
026	140P53-4	GEAR COMPLETE		1				
027	253463-1	FLAT WASHER 51		1				
028	136224-3	SLIDER ASS'Y		1				
D10		INC. 9-21						
029	922128-3	ប៊ូឡុងក្បាលសោតាន់ M4X16 WR		6				
030	232583-4	TENSION SPRING 3		1				
031	620C32-5	LED CIRCUIT		1				
032	140P51-8	GEAR HOUSING R COMPLETE		1	*			
032-1	140W37-4	GEAR HOUSING R COMPLETE	S	1	*			
032-2	141G35-5	GEAR HOUSING R COMPLETE	S	1				
033	424858-7	ប្រឹក្រុក 16X16		1				
034	422541-0	SEAL RING		1				

Model No.JR001G CORDLESS RECIPRO SAW

មុខ ទំនិញ	លេខផ្នែក	ព័ណ៌នា	I/C	Qty	New/Old	Sales	Purch.	Note
035	140P50-0	GEAR HOUSING L COMPLETE		1	*			
035-1	140W36-6	GEAR HOUSING L COMPLETE	S	1	*			
035-2	141G34-7	GEAR HOUSING L COMPLETE	S	1				
036	911206-4	វិសក្កាលម្នាក់ M5X10 W		2				
037	127468-6	HOOK ASSEMBLY		1				
038	266326-2	វិស 4X18		6				
039	183N57-1	HANDLE SET		1				
D10		INC. 57						
040	961052-5	ប្រែរ (ext) S-12		1				
041	211129-9	BALL BEARING 6201DDW		1				
042	253744-3	កាក់សំប៉ែត 12		1				
043	285038-8	BEARING RETAINER 80		1				
044	510447-5	ROTOR ASS'Y		1				
D10		INC. 40-43,45						
045	210062-2	BALL BEARING 607ZZ		1				
046	922117-8	ប៊ូឡុងក្បាលសោតាន់ M4X12		2				
047	266425-0	វិស 4X45		2				
048	456178-1	សន្ទះការពារ		1				
049	263002-9	កន្លាស់កៅស៊ូ 4		1				
050	629470-0	STATOR		1				
051	264002-2	SQUARE NUT M5		2				
052	412476-3	MOTOR HOUSING		1				
053	911243-8	វិសក្បាលម្នាក់ M5X25 WR		4				
054	456177-3	CHANGE BUTTON		1				
055	651439-6	SWITCH C3JR-4B-2		1				
056	620C31-7	CONTROLLER		1				
057	183N57-1	HANDLE SET		1				
D10		INC. 39						
058	8005T5-8	XGT LOGO LABEL		1				
059	856P39-5	JR001G NAME PLATE		1				
060	183N58-9	BATTERY HOUSING SET		1				
C10	263005-3	កន្លាស់កៅស៊ូ 6		2				
D10		INC. 64						
061	266326-2	វិស 4X18		2				
062	422543-6	CUSHION RUBBER		2				
063	632P49-4	TERMINAL UNIT		1	*			
063-1	632P75-3	TERMINAL UNIT	<	1				
064	183N58-9	BATTERY HOUSING SET		1				
C10	263005-3	កន្លាស់កៅស៊ូ 6		2				
D10		INC. 60						
065	856P46-8	JR001G SERIAL NO. LABEL		1				

Model No.JR001G CORDLESS RECIPRO SAW

មុខ ទំនិញ	លេខផ្នែក	ព័ណ៌នា	I/C	Qty	New/Old	Sales	Purch.	Note
066	8008P3-2	CLEAR LABEL		1				
A01	B-05038	RECIPRO SAW BLADE FOR METAL		1				
A02	B-05044	RECIPRO SAW BLADE FOR PLYWOOD		1				
A03	B-05153	RECIPRO SAW BLADE FOR WOOD		1				
A04B	821796-8	PLASTIC CASE		1				
C10	162271-8	គ្រឿង		2				
A04C	821796-8	PLASTIC CASE		1				
C10	162271-8	គ្រឿង		2				
A05B	***DC40RA	DC40RA FAST CHARGER		1				
D10		COMPO-PARTS						
A05C	***DC40RA	DC40RA FAST CHARGER		1				
D10		COMPO-PARTS						
A06B	412393-7	BATTERY COVER		1				
A06C	412393-7	BATTERY COVER		1				
A07B	191B36-3	BATTERY BL4025 SET		2				
A07C	191B26-6	BATTERY BL4040 SET		2				

Please order the parts with part number.

Print Date 1/9/2022