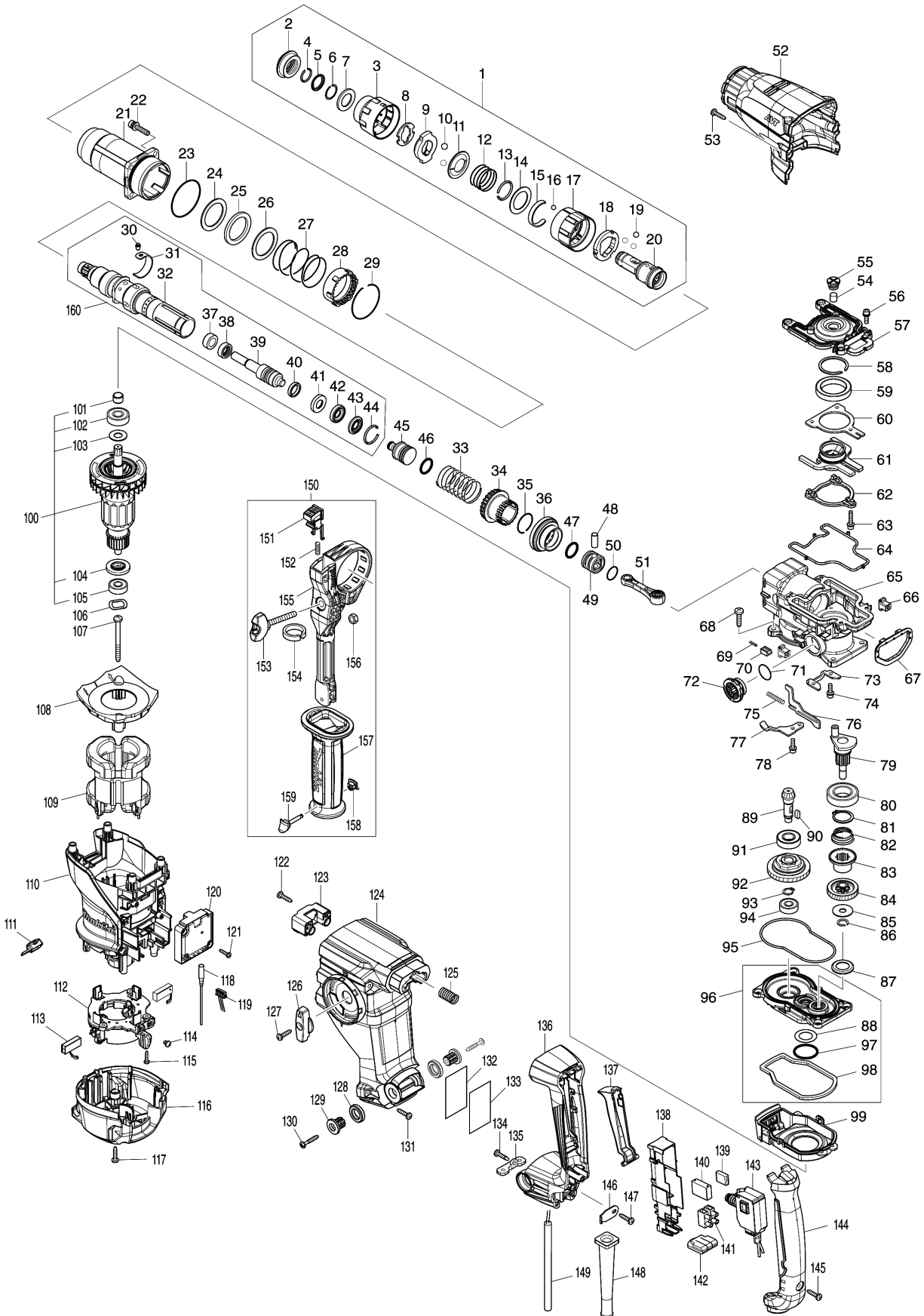


# Model No.HR3012FC 30MM COMBINATION HAMMER





Model No.HR3012FC 30MM COMBINATION HAMMER

មុខ ទំនិញ	លេខផ្នែក	ព័ណ៌នា	I/C	Qty	New/Old	Sales	Purch.	Note
001	127219-7	TOOL HOLDER ASSEMBLY		1				
D10		INC. 2-20						
002	422570-3	CAP 35		1				
003	459162-5	CHUCK COVER		1				
004	233989-9	វិស័រវិង 14		1				
005	346221-3	វីង 16		1				
006	233992-0	វិស័រវិង 15		1				
007	253467-3	WASHER 17		1				
008	347687-0	PLATE		1				
009	310926-1	STOPPER		1				
010	216022-2	ប្លឺដែក 7.0		2				
011	347745-2	GUIDE WASHER		1				
012	232554-1	COMPRESSION SPRING 26		1				
013	233924-7	វិស័រវិង 21		1				
014	253468-1	FLAT WASHER 24		1				
015	232555-9	LEAF SPRING		1				
016	216018-3	ប្លឺដែក 5.0		1				
017	459159-4	CHANGE COVER A		1				
018	347496-7	CHANGE RING A		1				
019	216013-3	ប្លឺដែក 6		3				
020	327264-4	TOOL HOLDER		1				
021	140J35-0	BARREL COMPLETE		1				
C10	213636-8	វីងប្រេង 25		1				
022	266793-1	ប៉ូឡុងក្បាលសោកាន់ M5X25 WR		4				
023	213620-3	វិញ្ញាងអក្សរ O 46		1				
024	267354-0	កាក់ស័ប៉ែត 31		1				
025	422493-5	RUBBER RING 31		1				
026	267354-0	កាក់ស័ប៉ែត 31		1				
027	232496-9	COMPRESSION SPRING 37		1				
028	419986-1	បំពង់ចាក់សោ		1				
029	233952-2	វិស័រវិង 41		1				
030	256598-7	SHOULDER PIN 4		1				
031	347501-0	LEAF SPRING		1				
032	327272-5	TOOL HOLDER GUIDE		1				
033	232497-7	COMPRESSION SPRING 27		1				
034	327276-7	DRIVING SLEEVE		1				
035	232501-2	RING SPRING 24		1				
036	226868-8	SPIRAL BEVEL GEAR 31		1				
037	327515-5	SLEEVE 11		1				
038	327516-3	RING 11		1				
039	140S90-6	IMPACT BOLT B COMPLETE		1				

Please order the parts with part number.

Print Date 1/9/2022

Model No.HR3012FC 30MM COMBINATION HAMMER

មុខ ទំនិញ	លេខផ្នែក	ឥណ្ឌីនា	I/C	Qty	New/Old	Sales	Purch.	Note
040	213880-7	SEAL RING 12		1				
041	327268-6	RING 11		1				
042	424267-0	វិញអេប៉ុង 12		1				
043	327271-7	WASHER 11		1				
044	231987-7	វិស័រវិង 21		1				
045	327266-0	STRIKER		1				
046	213881-5	O RING 16		1				
047	213881-5	O RING 16		1				
048	268122-4	PIN 7		1				
049	319807-6	PISTON		1				
050	213226-7	វិញរាងអក្សរ O 16		1				
051	140J36-8	CONNECTING ROD COMPLETE		1				
052	459167-5	BARREL COVER		1				
053	266326-2	វិស 4X18		2				
054	443153-6	ហ្វ្រីត		1				
055	459180-3	FILTER CAP		1				
056	922123-3	ប៊ូឡុងក្បាលសោតាន់ M4X14 WR		4				
057	319802-6	CRANK CAP		1				
058	961140-8	ប្រែរ (ext) WR-30		1				
059	211423-9	BALL BEARING 6806DDW		1				
060	347500-2	BEARING RETAINER B		1				
061	140J31-8	COUNTER WEIGHT COMPLETE		1				
062	310927-9	WEIGHT RETAINER		1				
063	266948-8	ប៊ូឡុងក្បាលសោតាន់ M4X20 WR		3				
064	459182-9	SEAL RING B		1				
065	140J33-4	CRANK HOUSING COMPLETE		1				
066	455165-7	FIX GUIDE		2				
067	422492-7	CUSHION		1				
068	266420-0	វិស 5X20		4	*			
068-1	266021-4	វិស 5X20	<	4				
069	232499-3	COMPRESSION SPRING 2		1				
070	310929-5	PUSH CORN		1				
071	213262-3	វិញរាងអក្សរ O 18		1				
072	459175-6	LINK LEVER		1				
073	347497-5	BEARING RETAINER A		1				
074	922123-3	ប៊ូឡុងក្បាលសោតាន់ M4X14 WR		2				
075	234019-9	វិស័របង្ហាប់ 4		1				
076	345814-3	បន្ទះភ្ជាប់		1				
077	347498-3	GUIDE PLATE		1				

Model No.HR3012FC 30MM COMBINATION HAMMER

មុខ ទំនិញ	លេខផ្នែក	ព័ណ៌នា	I/C	Qty	New/Old	Sales	Purch.	Note
078	922123-3	ប៊ូឡុងក្បាលសោតាន់ M4X14 WR		1				
079	140M22-7	CRANK SHAFT COMPLETE		1				
080	211323-3	BALL BEARING 6904LLU		1				
081	961060-6	ប្រែរ (ext) S-20		1				
082	232498-5	CONICAL COMP. SPRING 21- 26		1				
083	327273-3	CLUTCH		1				
084	226869-6	HELICAL GEAR 31		1				
085	267353-2	កាកសំប៉ែត 8		1				
086	961034-7	ប្រែរ (ext) WR-8		1				
087	345818-5	កាកគម្រប 16		1				
088	253749-3	កាកសំប៉ែត 16		1				
089	226867-0	SPIRAL BEVEL GEAR 8		1				
090	254239-9	សោរ 4		1				
091	211131-2	BALL BEARING 6001DDW		1				
092	125386-2	សំណុំដុំកំណត់កម្លាំងបង្វិល		1				
093	961006-2	ប្រែរ (ext) S-10		1				
094	210005-4	BALL BEARING 608DDW		1				
095	459181-1	SEAL RING A		1				
096	136330-4	GEAR HOUSING ASS'Y		1				
D10		INC. 88,97,98						
097	213445-5	វិញ្ញាងអក្សរ O 26		1				
098	459183-7	SPONGE SHEET		1				
099	140J32-6	AIR DUCT COMPLETE		1				
100	515448-8	ARMATURE ASS'Y 220-240V		1				
D10		INC. 101-105						
101	331775-3	បំពង់ 10		1				
102	211097-6	BALL BEARING 6000LLB		1				
103	253171-4	កាកសំប៉ែត 10		1				
104	681644-1	កាកអ៊ីសូឡង់		1				
105	210005-4	BALL BEARING 608DDW		1				
106	267804-5	កាករលក 15		1				
107	266329-6	វិស 5X60		2				
108	459172-2	BAFFLE PLATE		1				
109	621898-8	FIELD		1				
110	459158-6	MOTOR HOUSING		1				
111	620C43-0	LED CIRCUIT		1				
112	632N59-9	BRUSH HOLDER UNIT		1				
113	B-80329	CARBON BRUSH SET CB- 153A		1	*			
113-1	197244-2	ជ្រុង	X	1				
114	652044-2	វិស M3.5X5.0		2				

Please order the parts with part number.

Print Date 1/9/2022

Model No.HR3012FC 30MM COMBINATION HAMMER

មុខ ទំនិញ	លេខផ្នែក	ព័ណ៌នា	I/C	Qty	New/Old	Sales	Purch.	Note
115	266404-8	វិស 3X14		3				
116	459169-1	REAR COVER		1				
117	266326-2	វិស 4X18		4				
118	632P88-4	LEAD UNIT		1				
119	632P89-2	LEAD UNIT		1				
120	620C41-4	CONTROLLER		1				
121	266404-8	វិស 3X14		2				
122	266326-2	វិស 4X18		2				
123	140M21-9	HANDLE STOPPER COMPLETE		1				
C10	263005-3	កន្លាស់កៅស៊ូ 6		2				
124	459161-7	HANDLE BASE		1				
125	232500-4	COMPRESSION SPRING 10		1				
126	459174-8	CHANGE LEVER		1				
127	266326-2	វិស 4X18		1				
128	459184-5	CUSHION RING 12		2				
129	459176-4	SHOULDER SLEEVE 5		2				
130	266459-3	វិស 5X25		2	*			
130-1	266041-8	វិស 5X25	<	2				
131	266326-2	វិស 4X18		4				
132	856V90-1	HR3012FC NAME PLATE		1				
133	818U61-0	CLEAR LABEL		1				
134	266326-2	វិស 4X18		1				
135	347502-8	LOCK PLATE		1				
136	459164-1	HANDLE		1				
137	459177-2	SWITCH LEVER		1				
138	459178-0	SWITCH HOLDER		1				
141	654531-7	ប្លុកដូមីណូ		1				
142	424031-9	SPONGE SHEET		1				
143	651385-3	SWITCH C3JW-A1B-PA7		1				
144	459166-7	HANDLE COVER		1				
145	266326-2	វិស 4X18		1				
146	687169-3	STRAIN RELIEF		1				
147	266326-2	វិស 4X18		1				
148	682573-1	CORD GUARD 10		1				
149	691015-4	ខ្សែភ្លើង 0.75-2-2.5		1				
150	126882-3	សំណុំដៃកាន់		1				
D10		INC. 151-159						
151	144959-2	LOCK BUTTON COMPLETE		1				
152	233360-7	វិសរបង្ហាប់ 4		1				
153	265625-9	វិសម្រុវដោយដៃ M6X50		1				
154	422258-5	SPONGE SHEET		1				

Model No.HR3012FC 30MM COMBINATION HAMMER

មុខ ទំនិញ	លេខផ្នែក	ព័ណ៌នា	I/C	Qty	New/Old	Sales	Purch.	Note
155	458355-1	បាតដៃកាន់ចំហៀង		1				
156	931302-2	HEX. NUT M6		1				
157	458357-7	ដៃកាន់ 36		1				
158	422255-1	CAP		1				
159	161838-9	កន្ត្រាស់		1				
160	136305-3	TOOL HOLDER ASS'Y		1				
D10		INC. 30-32,37-44						
A01	191F46-4	DRILL CHUCK SET		1				
A02	331886-4	រង្វាស់ជម្រៅ		1				
A03	8012G9-4	HR3012FCJ INDICATION LABEL		1				
A04	8012H0-9	HR3012FCJ PLASTIC CASE LABEL		2				
A05	821552-6	ប្រអប់ប្លាស្ទិចឧបករណ៍ភ្ជាប់ (ប្រភេទទី4)		1				
C10	453974-8	គន្លឹះ		4				
A06	835B25-5	INNER TRAY		1				

Please order the parts with part number.

Print Date 1/9/2022