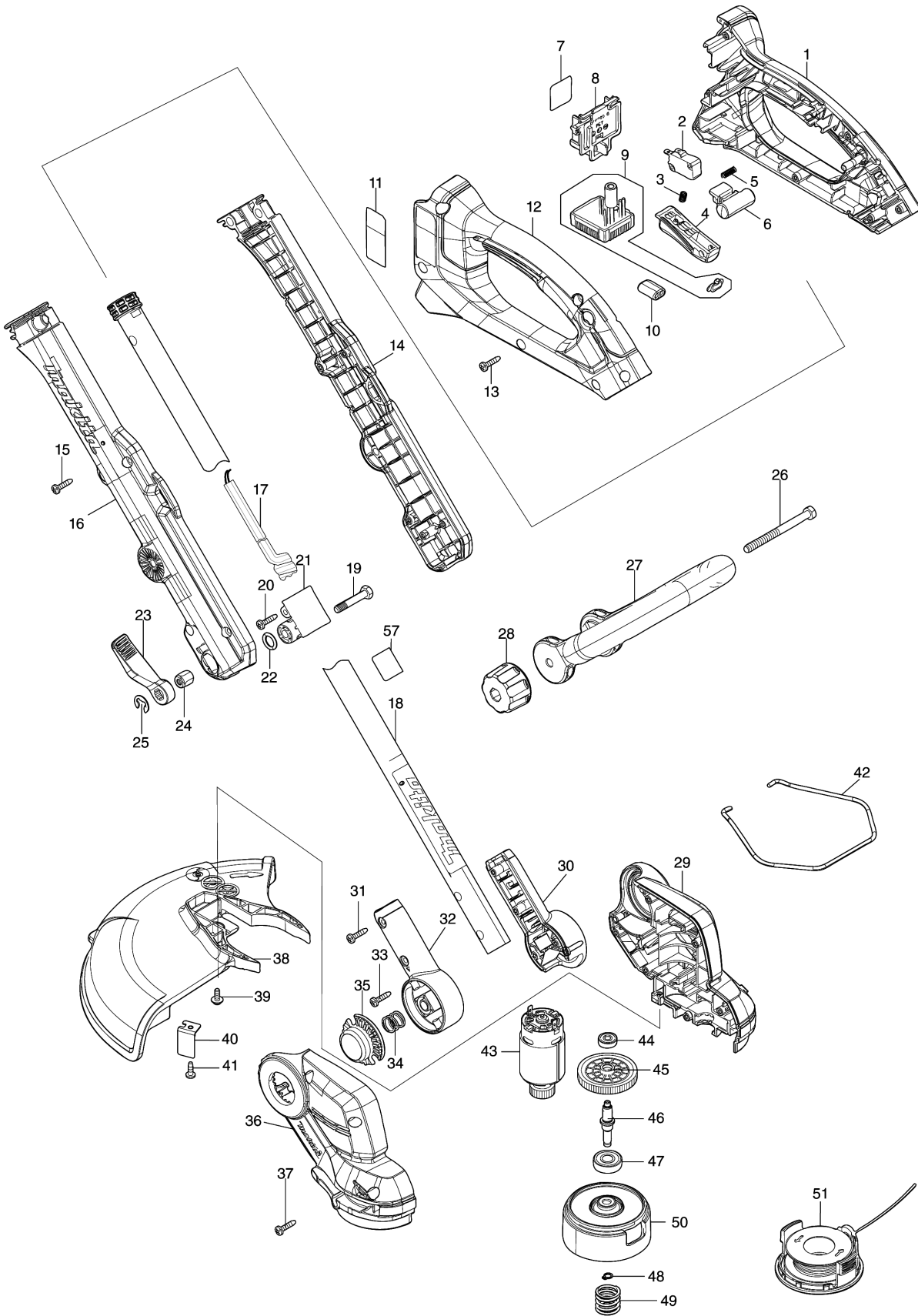


Model No.DUR193 CORDLESS GRASS TRIMMER



Model No.DUR193 CORDLESS GRASS TRIMMER

មុខ ទំនិញ	លេខផ្នែក	ព័ណ៌នា	I/C	Qty	New/Old	Sales	Purch.	Note
001	183V19-7	GRIP HOUSING SET		1				
C10	263005-3	កន្លាស់កៅស៊ូ 6		2				
D10		INC. 12						
002	650744-8	កុងតាក់ D3V-16-3C26		1				
003	231473-8	វិស័របង្ហាប់ 4		1				
004	413G06-5	SWITCH LEVER		1				
005	231473-8	វិស័របង្ហាប់ 4		1				
006	413G05-7	LOCK OFF BUTTON		1				
007	8116T1-7	DUR193 SERIAL NO. LABEL		1				
008	644809-6	ដូមីណូ		1				
009	620J15-7	CONTROLLER		1				
010	688172-7	LINE FILTER		1				
011	8116S5-2	DUR193 NAME PLATE		1				
012	183V19-7	GRIP HOUSING SET		1				
C10	263005-3	កន្លាស់កៅស៊ូ 6		2				
D10		INC. 1						
013	266326-2	វិស 4X18		6				
014	183V18-9	PIPE COVER SET		1				
D10		INC. 16						
015	266326-2	វិស 4X18		4				
016	183V18-9	PIPE COVER SET		1				
D10		INC. 14						
017	660500-8	POWER SUPPLY CORD		1				
018	141J09-4	PIPE 22 COMPLETE A		1				
C10	413G07-3	PIPE CAP		1				
C20	8049C7-1	MAKITA LOGO LABEL		1				
C30	8052U7-8	CAUTION LABEL		1				
019	265C82-9	HEX. BOLT M6X35		1				
020	266326-2	វិស 4X18		1				
021	413G10-4	SLEEVE		1				
022	213105-9	វិញ្ញាងអក្សរ O 11		1				
023	413G09-9	LEVER 60		1				
024	252133-9	HEX. NUT M6		1				
025	961014-3	វិញ្ញាប (EXT) E-8		1				
026	265C83-7	HEX.BOLT M6X75		1				
027	413F75-0	LOOP HANDLE		1				
028	264072-1	THUMB NUT M6		1				
029	183V20-2	MOTOR HOUSING SET		1				
C10	263005-3	កន្លាស់កៅស៊ូ 6		2				
C20	346275-0	បន្ទុះ		1				
D10		INC. 36						

Model No.DUR193 CORDLESS GRASS TRIMMER

មុខ ទំនិញ	លេខផ្នែក	ព័ណ៌នា	I/C	Qty	New/Old	Sales	Purch.	Note
030	183V17-1	PIPE HOLDER SET		1				
D10		INC. 32						
031	266326-2	វិស 4X18		2				
032	183V17-1	PIPE HOLDER SET		1				
D10		INC. 30						
033	266326-2	វិស 4X18		2				
034	231113-8	វិស័របង្ហាប់ 12		1				
035	413G08-1	LOCK OFF BUTTON B		1				
036	183V20-2	MOTOR HOUSING SET		1				
C10	263005-3	កន្លាស់កៅស៊ូ 6		2				
C20	346275-0	បន្ទះ		1				
D10		INC. 29						
037	266326-2	វិស 4X18		6				
038	413F73-4	PROTECTOR		1				
039	911119-9	វិសក្បាលម្នាក់ M4X12 WG		1				
040	347977-1	CUTTER		1				
041	266427-6	វិស 4X12		1				
042	327969-6	WIRE GUARD		1				
043	629B13-0	DC MOTOR		1	*			
043-1	629B89-7	DC MOTOR	<	1				
044	210235-7	BALL BEARING 625ZZ		1				
045	227949-1	HELICAL GEAR 48		1				
046	327967-0	CUTTER SHAFT		1				
047	210217-9	BALL BEARING 609ZZ		1				
048	961002-0	ប្រៀរ (ext) S-6		1				
049	231352-0	វិស័របង្ហាប់ 17		1				
050	413F76-8	SPOOL HOLDER		1				
051	191Y39-5	SPOOL SET MG		1				
A01	127508-0	BAND ASS'Y		1				
A03	769014-5	SAFETY GOGGLE		1				
A04B	***DC18RC	DC18RC FAST CHARGER		1				
D10		COMPO-PARTS						
A05B	197600-6	ឈុតថ្នាំ BL1830B		1				
A06B	450128-8	គម្របថ្នាំ		1				

Please order the parts with part number.

Print Date 2/9/2022