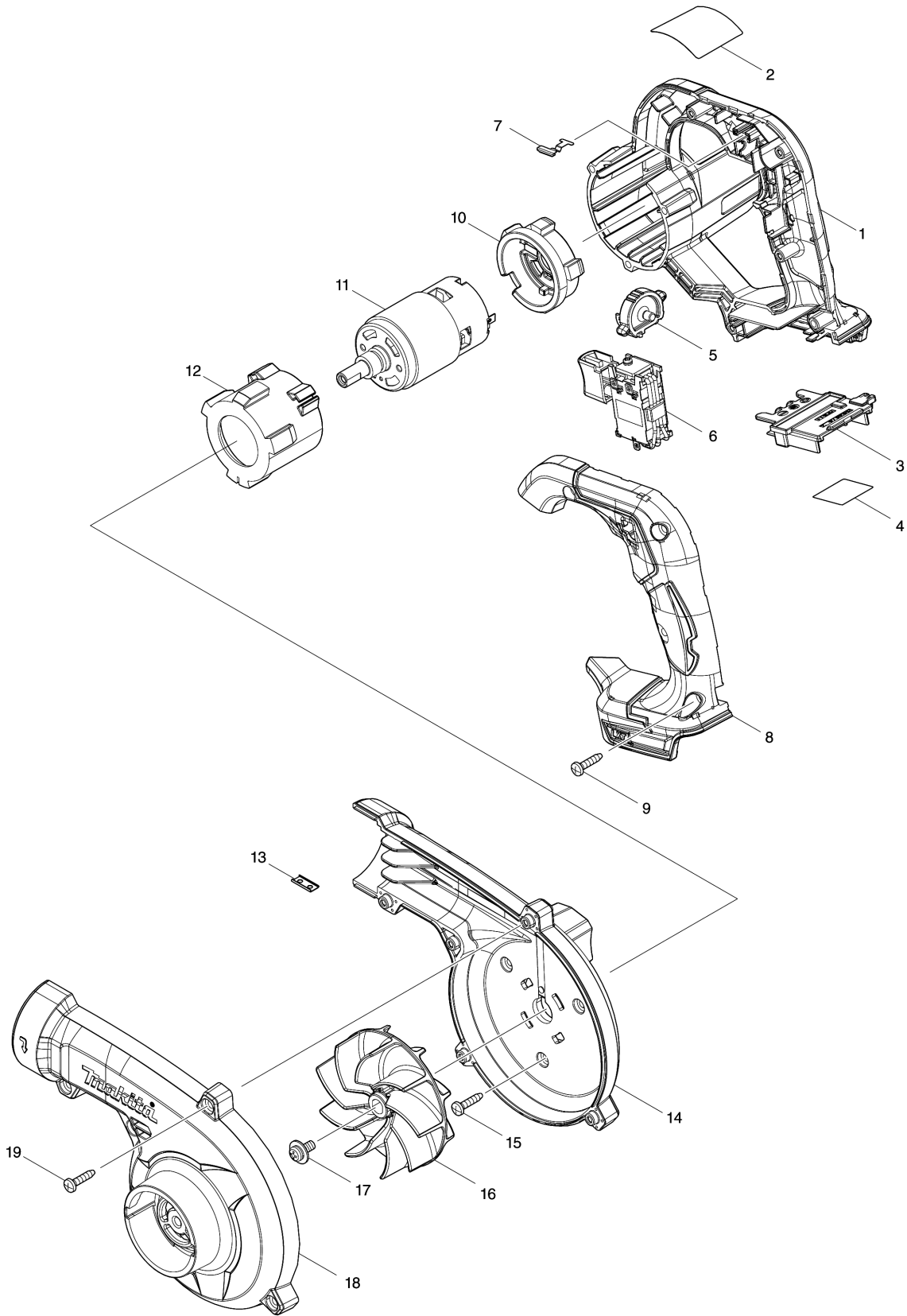


Model No.DUB185 CORDLESS BLOWER



Model No.DUB185 CORDLESS BLOWER

| មុខ ទំនិញ | លេខផ្នែក | ព័ណ៌នា | I/C | Qty | New/Old | Sales | Purch. | Note |
|--------------|-----------|---------------------------------|-----|-----|---------|-------|--------|------|
| 001 | 183P63-8 | MOTOR HOUSING SET | | 1 | | | | |
| D10 | | INC. 8 | | | | | | |
| 002 | 856X26-2 | DUB185 NAME PLATE | | 1 | | | | |
| 003 | 643874-2 | ដូមីណូ | | 1 | | | | |
| 004 | 856X33-5 | DUB185 SERIAL NO. LABEL | | 1 | | | | |
| 005 | 412573-5 | DIAL | | 1 | | | | |
| 006 | 632P92-3 | SWITCH UNIT | | 1 | * | | | |
| 006-1 | 632R68-2 | SWITCH UNIT | < | 1 | | | | |
| 007 | 232620-4 | LEAF SPRING | | 1 | | | | |
| 008 | 183P63-8 | MOTOR HOUSING SET | | 1 | | | | |
| D10 | | INC. 1 | | | | | | |
| 009 | 266326-2 | វិស 4X18 | | 5 | | | | |
| 010 | 422589-2 | MOTOR RUBBER RING B | | 1 | | | | |
| 011 | 629484-9 | DC MOTOR | | 1 | | | | |
| 012 | 422588-4 | MOTOR RUBBER RING A | | 1 | | | | |
| 013 | 345998-7 | ឈុតបន្ទុះ | | 1 | | | | |
| 014 | 140U56-8 | FAN HOUSING COMPLETE | | 1 | | | | |
| C10 | 8012T7-9 | CAUTION LABEL | | 1 | | | | |
| 015 | 266326-2 | វិស 4X18 | | 3 | | | | |
| 016 | 240210-9 | FAN 85 | | 1 | | | | |
| 017 | 265B25-5 | PAN HEAD SCREW M5X12 WITH WG | | 1 | | | | |
| 018 | 412572-7 | FAN COVER | | 1 | | | | |
| 019 | 266326-2 | វិស 4X18 | | 5 | | | | |
| A02 | 123245-4 | NOZZLE ASS'Y | | 1 | | | | |
| C10 | 454703-2 | JOINT | | 1 | | | | |
| A03B | 450128-8 | គម្របថ្ន | | 1 | | | | |
| A04B | ***DC18RC | DC18RC FAST CHARGER | | 1 | | | | |
| D10 | | COMPO-PARTS | | | | | | |
| A05B | 197280-8 | ឈុតថ្ន BL1850B | | 1 | | | | |
| E01 | 807950-8 | ស្លាកសញ្ញាសម្តែង 95DB | | 1 | | | | |

Please order the parts with part number.

Print Date 2/9/2022

