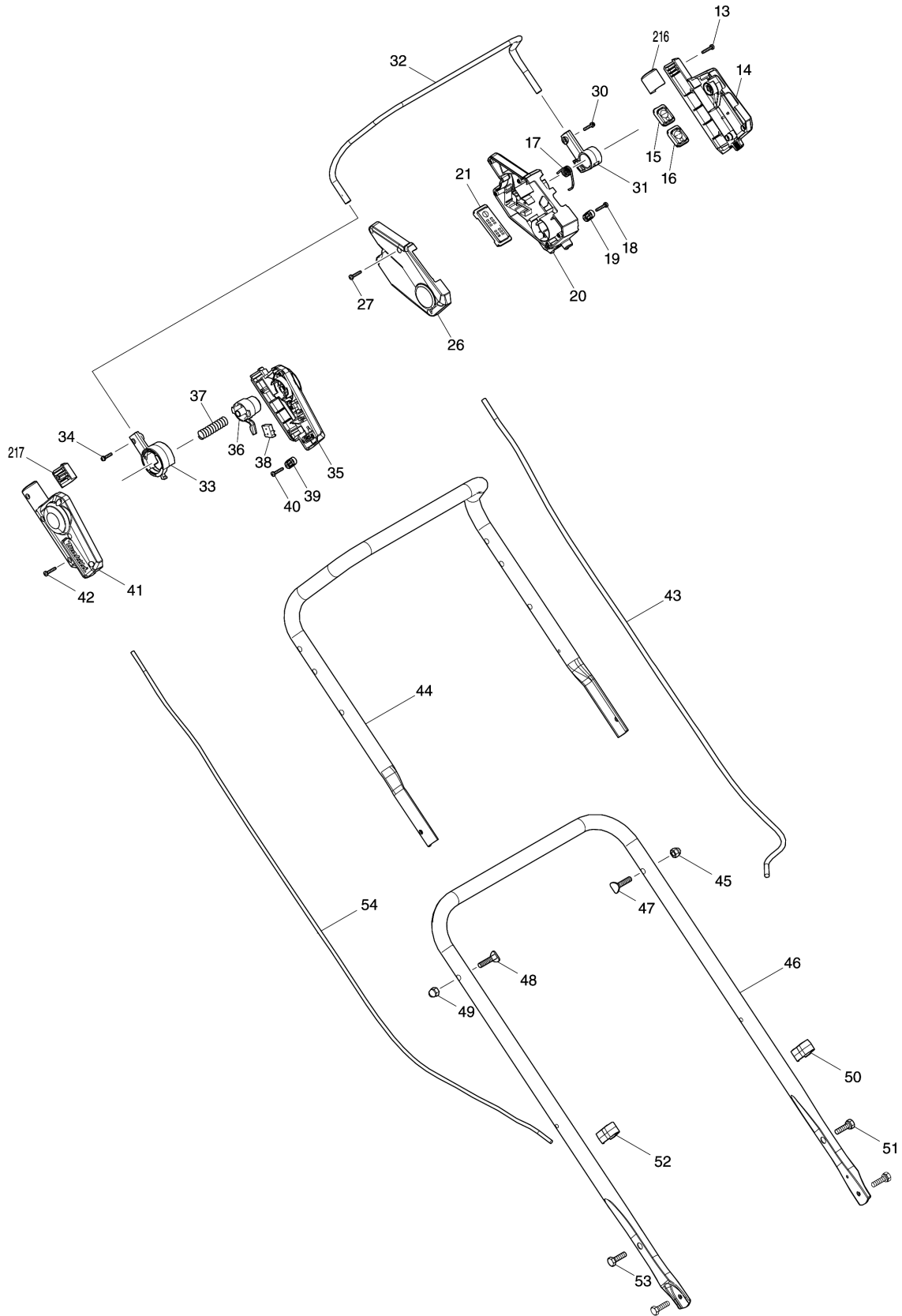
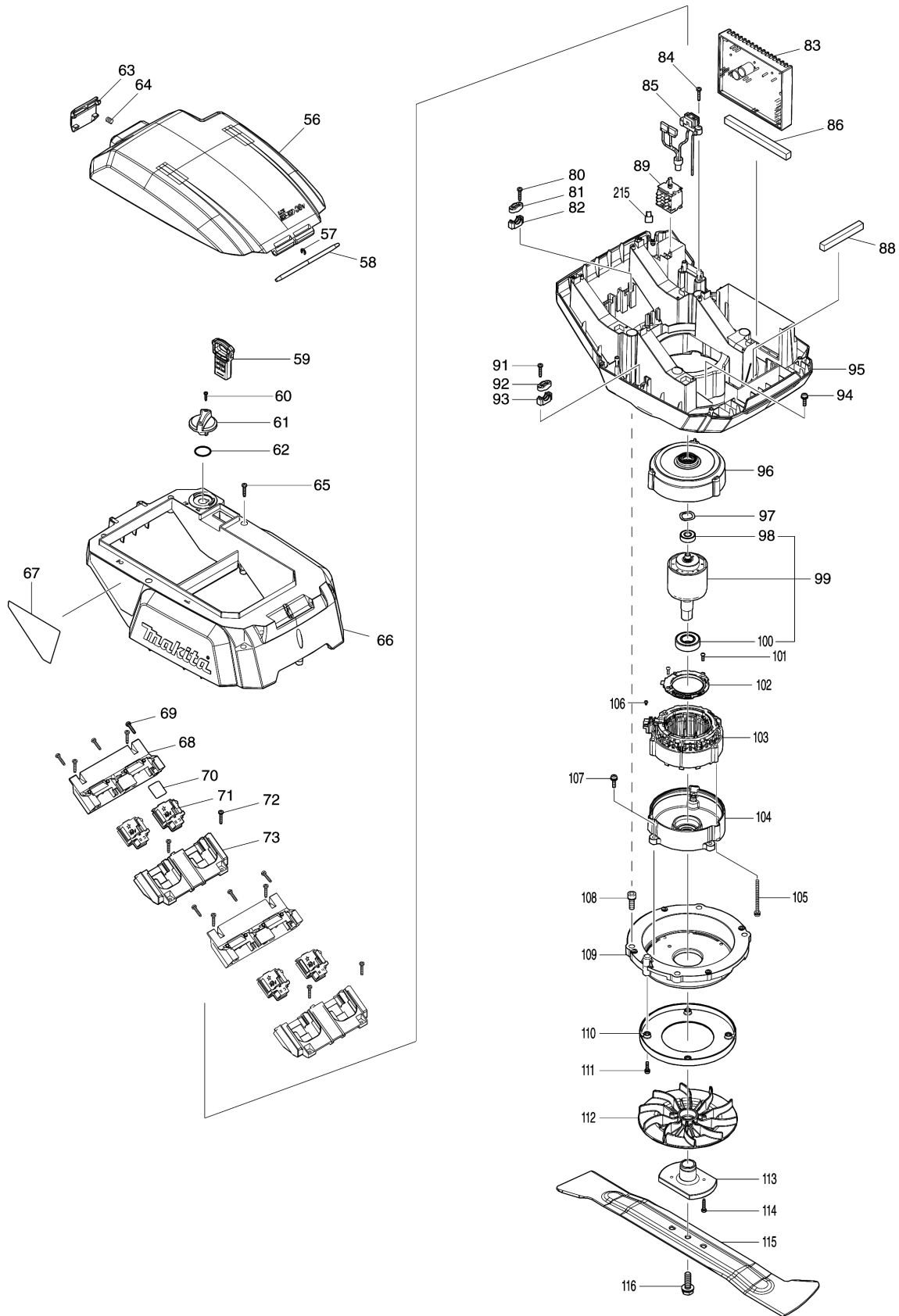


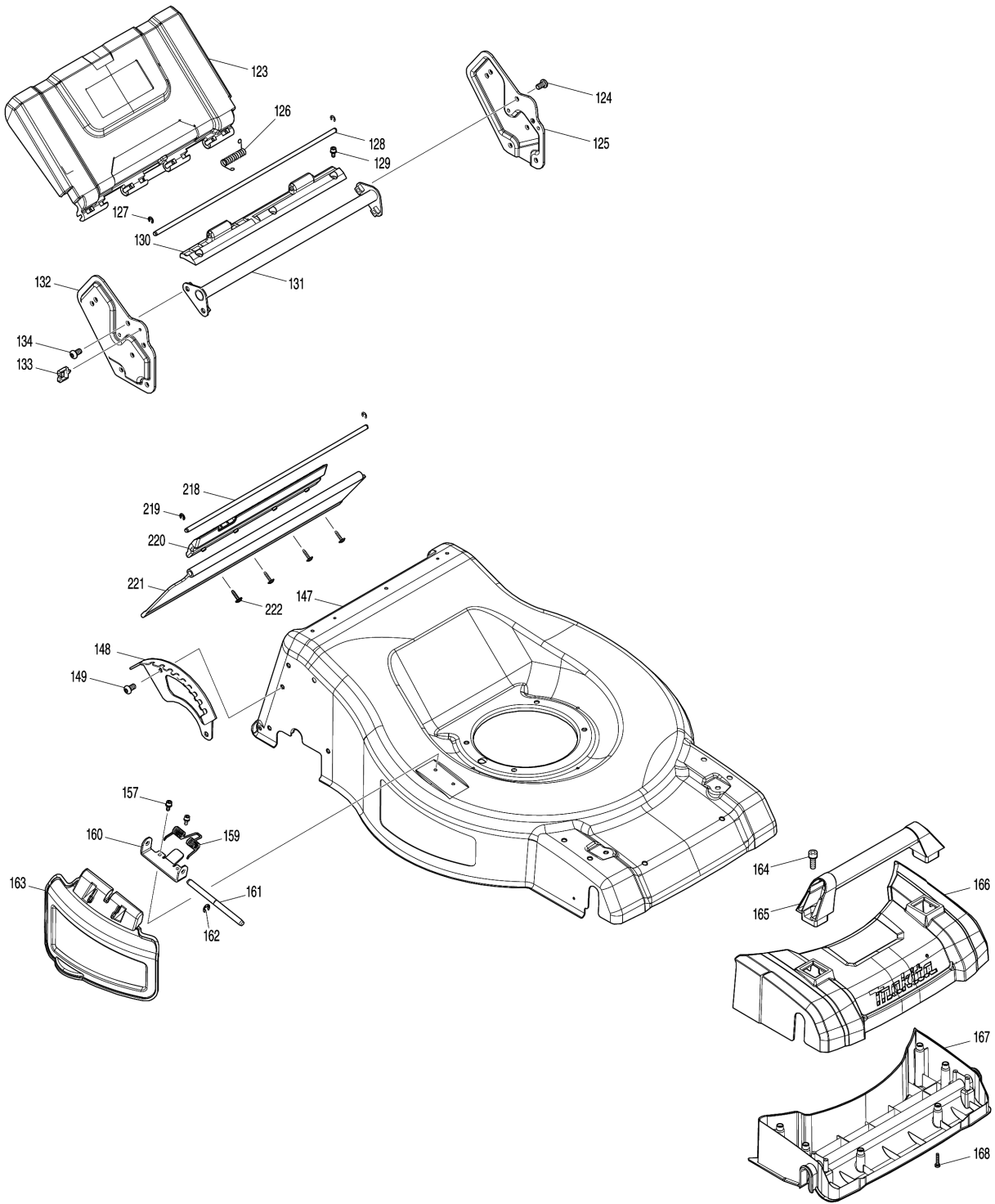
Model No.DLM530 460MM CORDLESS LAWN MOWER



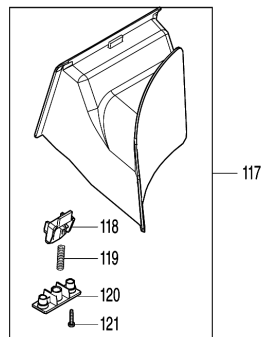
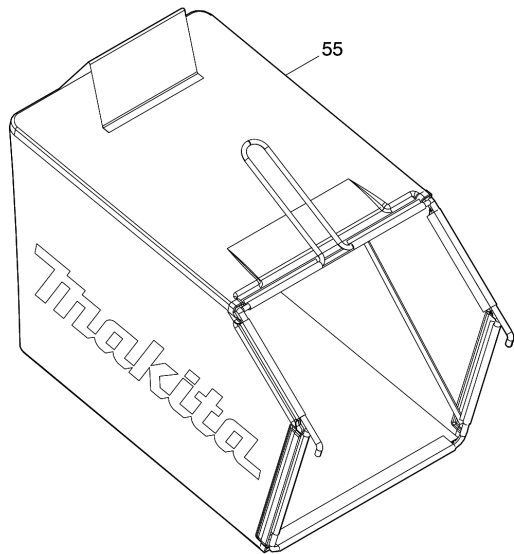
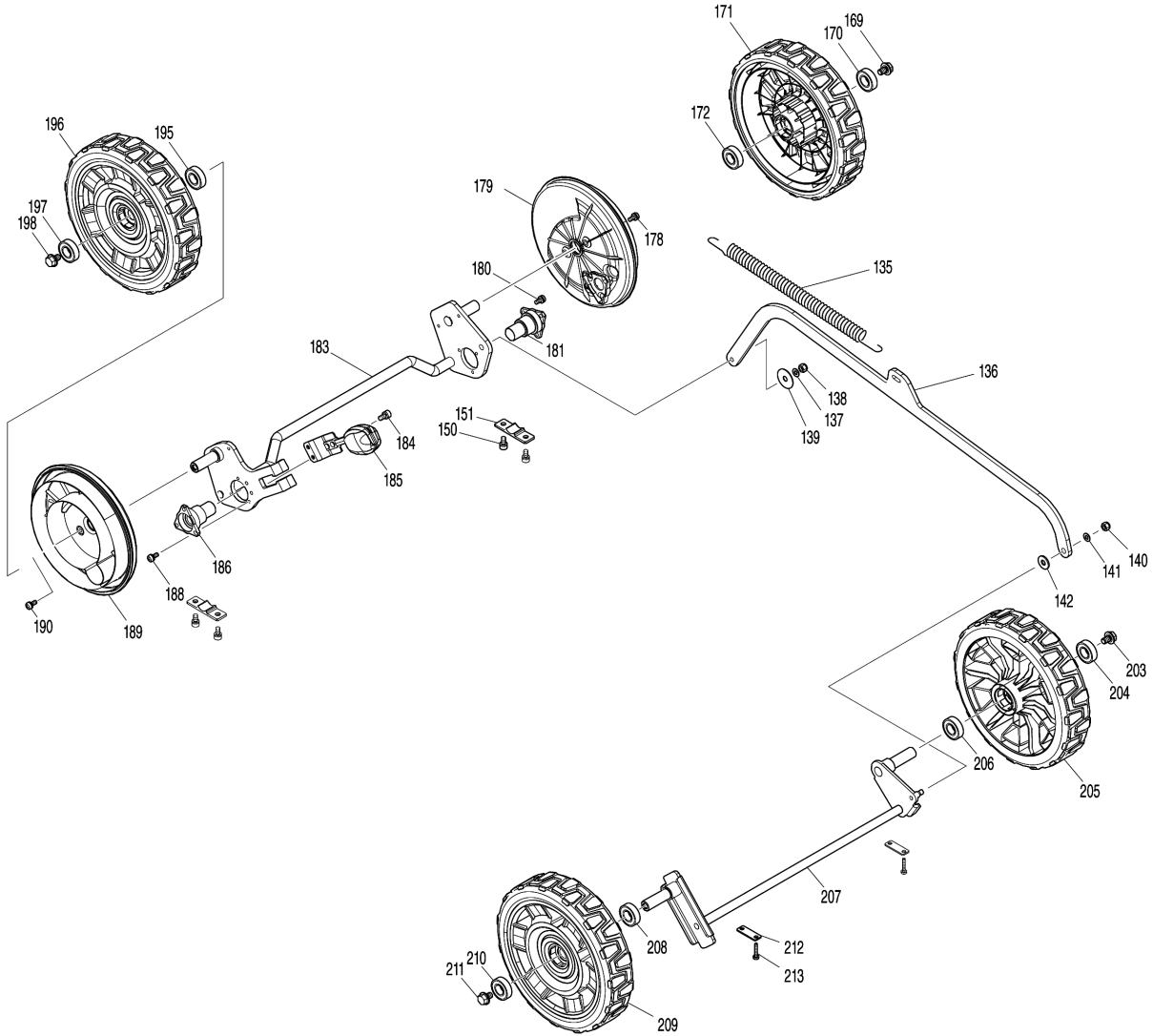
Model No.DLM530 460MM CORDLESS LAWN MOWER



Model No.DLM530 460MM CORDLESS LAWN MOWER



Model No.DLM530 460MM CORDLESS LAWN MOWER



Model No.DLM530 460MM CORDLESS LAWN MOWER

មុខ ទំនិញ	លេខផ្នែក	ព័ណ៌នា	I/C	Qty	New/Old	Sales	Purch.	Note
013	266424-2	វិស 4X20		6				
014	183N81-4	SWITCH BOX SET		1				
D10		INC. 26						
015	140F09-7	SWITCH CIRCUIT COMPLETE		1				
C10	810D46-0	ស្លាកសញ្ញាកុងតាក់		1				
016	140F10-2	SWITCH CIRCUIT COMPLETE		1				
C10	818A74-1	ស្លាកសញ្ញាកុងតាក់		1				
017	232575-3	TORSION SPRING 12		1				
018	266424-2	វិស 4X20		2				
019	687124-5	STRAIN RELIEF		1				
020	459908-9	SWITCH BOX		1				
021	620C48-0	INDICATION CIRCUIT COMPLETE		1				
C10	8007C8-5	INDICATION LABEL		1				
026	183N81-4	SWITCH BOX SET		1				
D10		INC. 14						
027	266424-2	វិស 4X20		5				
030	911138-5	វិសក្បាលម្នាក់ M4X20 WR		1				
031	459863-5	SWITCH LEVER SUPPORT L		1				
C10	931102-0	HEX. NUT M4		1				
032	327424-8	SWITCH LEVER		1				
033	459856-2	SWITCH LEVER SUPPORT R		1				
C10	931102-0	HEX. NUT M4		1				
034	911138-5	វិសក្បាលម្នាក់ M4X20 WR		1				
035	183P40-0	LEVER BOX SET		1	*			
C10	8007C6-9	INDICATION LABEL		1	*			
D10		INC. 41			*			
035-1	183X73-3	LEVER BOX SET	O	1				
C10	8007C6-9	INDICATION LABEL		1				
D10		INC. 41						
036	459857-0	LOCK OFF BUTTON		1				
037	231227-3	វិសរបង្ហាប់ 15		1				
038	632E26-0	សំណុំកុងតាក់		1				
039	687124-5	STRAIN RELIEF		1				
040	266424-2	វិស 4X20		2				
041	183P40-0	LEVER BOX SET		1	*			
C10	8007C6-9	INDICATION LABEL		1	*			
D10		INC. 35			*			
041-1	183X73-3	LEVER BOX SET	O	1				
C10	8007C6-9	INDICATION LABEL		1				
D10		INC. 35						
042	266424-2	វិស 4X20		6				

Please order the parts with part number.

Print Date 2/9/2022

Model No.DLM530 460MM CORDLESS LAWN MOWER

មុខ ទំនិញ	លេខផ្នែក	ព័ណ៌នា	I/C	Qty	New/Old	Sales	Purch.	Note
043	699144-7	POWER SUPPLY CORD UNIT		1				
044	327421-4	HANDLE UPPER		1				
045	252278-3	HEX. CAP NUT M8		1				
046	327422-2	HANDLE LOWER		1				
047	265A62-3	FLAT HEAD BOLT M8X38		1				
048	265A62-3	FLAT HEAD BOLT M8X38		1				
049	252278-3	HEX. CAP NUT M8		1				
050	459905-5	CLAMP		1				
051	921451-3	ប៊ូឡុងក្បាលឆកោណ M8X30 W		2				
052	459905-5	CLAMP		1				
053	921451-3	ប៊ូឡុងក្បាលឆកោណ M8X30 W		2				
054	699142-1	POWER SUPPLY CORD UNIT		1				
055	127412-3	GRASS CATCHER ASSEMBLY		1	*			
055-1	122B20-7	GRASS CATCHER ASSEMBLY	O	1				
C10	162976-0	GRASS CATCHER		1				
C20	327866-6	GRASS CATCHER BRACKET		1				
056	140S03-7	BATTERY COVER COMPLETE		1				
C10	890380-0	ស្លាកសញ្ញាណែនាំ		1				
057	961018-5	វិញ្ញូប (EXT) E-5		1				
058	327536-7	ROD 6		1				
059	643535-4	KEY		1				
060	266404-8	វិស 3X14		1				
061	459851-2	SWITCH LEVER		1				
062	213896-2	O-RING 24		1				
063	459852-0	LOCK LEVER		1				
064	231037-8	វិសរបង្ហាប់ 7		1				
065	266424-2	វិស 4X20		7				
066	459847-3	COWLING UPPER		1				
067	856P83-2	DLM530 NAME PLATE		1				
068	183N78-3	TERMINAL HOUSING SET		2				
C10	263005-3	កន្លាស់កៅស៊ូ 6		8				
D10		INC. 73						
069	266424-2	វិស 4X20		6				
070	856P90-5	DLM530 SERIAL NO. LABEL		1				
071	644809-6	ដូមីណូ		4				
072	266424-2	វិស 4X20		8				
073	183N78-3	TERMINAL HOUSING SET		2				
C10	263005-3	កន្លាស់កៅស៊ូ 6		8				
D10		INC. 68						
080	266424-2	វិស 4X20		2				
081	687124-5	STRAIN RELIEF		1				

Model No.DLM530 460MM CORDLESS LAWN MOWER

មុខ ទំនិញ	លេខផ្នែក	ព័ណ៌នា	I/C	Qty	New/Old	Sales	Purch.	Note
082	687051-6	STRAIN RELIEF		1				
083	620C46-4	CONTROLLER		1				
084	266424-2	វិស 4X20		2				
085	632P74-5	LEAD UNIT		1				
086	422529-0	SPONGE B		1				
088	422528-2	SPONGE A		1				
089	651444-3	SWITCH 1703.4703		1				
091	266424-2	វិស 4X20		2				
092	687124-5	STRAIN RELIEF		1				
093	687051-6	STRAIN RELIEF		1				
094	911233-1	វិសក្បាលម្នាក់ M5X20 WR		4				
095	459848-1	COWLING LOWER		1				
096	319869-4	MOTOR HOUSING UPPER		1				
097	253455-0	WAVE WASHER 19		1				
098	210141-6	BALL BEARING 6000DDW		1				
099	519606-8	ROTOR ASS'Y		1				
D10		INC. 98,100						
100	211387-7	BALL BEARING 6004LLU		1				
101	265B29-7	TAPPING SCREW PT 2X8		2				
102	620B88-2	CONTROLLER B		1				
103	629465-3	STATOR		1				
104	319870-9	MOTOR HOUSING LOWER		1				
105	911691-1	វិសក្បាលម្នាក់ M5X70 WRM		3				
106	652031-1	វិសក្បាលម្នាក់ M3X6		3				
107	911233-1	វិសក្បាលម្នាក់ M5X20 WR		4				
108	922441-9	ប៊ូឡុងក្បាលសោកាន់ M8X25 W		4				
109	319867-8	MOTOR BRACKET		1				
110	459853-8	BAFFLE PLATE		1				
111	911126-2	វិសក្បាលម្នាក់ M4X16 W		4				
112	240205-2	FAN 170		1				
113	319868-6	BLADE SUPPORT		1				
114	266424-2	វិស 4X20		2				
115	191D52-7	BLADE 530 SET		1				
116	265A69-9	HEX. BOLT M10X35 WITH WG		1				
117	127516-1	MULCHING PLUG ASSEMBLY		1				
D10		INC. 118-121						
118	459884-7	LOCK LEVER		1				
119	231401-3	វិសបង្ហាប់ 7		1				
120	459885-5	LOCK LEVER SUPPORT		1				
121	266424-2	វិស 4X20		2				
123	140R96-8	REAR FLAP COMPLETE		1				

Model No.DLM530 460MM CORDLESS LAWN MOWER

មុខ ទំនិញ	លេខផ្នែក	ព័ណ៌នា	I/C	Qty	New/Old	Sales	Purch.	Note
C10	8007P8-6	CAUTION LABEL		1				
124	265B20-5	HEX.SOCKET BUTTON HEAD BOLT M8		4				
125	347579-3	HANDLE BRACKET L		1				
126	233597-6	វិស័របន្លឹង 8		1				
127	961018-5	វិញ្ញាប (EXT) E-5		2				
128	327418-3	ROD 6		1				
129	922213-2	ប៊ូឡុងក្បាលសោតាន់ M5X12 WR		3				
130	459877-4	REAR FLAP HOLDER PLATE		1				
131	162692-4	REAR GRIP		1				
132	347578-5	HANDLE BRACKET R		1				
133	451825-9	CLAMP		1				
134	265B20-5	HEX.SOCKET BUTTON HEAD BOLT M8		4				
135	232628-8	TENSION SPRING 16		1				
136	347580-8	CONNECTING ROD		1				
137	941151-9	កាក់សំប៉ែត 6		1				
138	252014-7	HEX. LOCK NUT M6-10		1				
139	267216-2	កាក់សំប៉ែត 8		1				
140	252014-7	HEX. LOCK NUT M6-10		1				
141	941151-9	កាក់សំប៉ែត 6		1				
142	253762-1	កាក់សំប៉ែត 8		1				
147	347591-3	DECK		1				
148	347582-4	HEIGHT ADJUST PLATE		1				
149	265B20-5	HEX.SOCKET BUTTON HEAD BOLT M8		2				
150	922311-2	ប៊ូឡុងក្បាលសោតាន់ M6X12 W		4				
151	313290-9	REAR SHAFT HOLDER COVER		2				
157	922213-2	ប៊ូឡុងក្បាលសោតាន់ M5X12 WR		2				
159	232567-2	TORSION SPRING 9		1				
160	347584-0	SIDE DISCHARGE PLATE		1				
161	327420-6	ROD 8		1				
162	961013-5	វិញ្ញាប (EXT) E-7		1				
163	459886-3	SIDE DISCHARGE COVER		1				
164	922441-9	ប៊ូឡុងក្បាលសោតាន់ M8X25 W		2				
165	459870-8	FRONT GRIP		1				
166	459871-6	FRONT COVER		1				
167	459872-4	DECK UNDER COVER		1				
168	266424-2	វិស 4X20		6				
169	265324-3	ប៊ូឡុងក្បាលឆកោណមាន កាក់ទប់ M8X12		1				
170	211247-3	BALL BEARING 6002DDW		1				

Model No.DLM530 460MM CORDLESS LAWN MOWER

មុខ ទំនិញ	លេខផ្នែក	ឥណ្ឌីនា	I/C	Qty	New/Old	Sales	Purch.	Note
171	127513-7	REAR WHEEL ASSEMBLY		1				
172	211247-3	BALL BEARING 6002DDW		1				
178	911213-7	វិសក្យាលម្ពក M5X12 WR		2				
179	459867-7	WHEEL CAP		1				
180	911213-7	វិសក្យាលម្ពក M5X12 WR		3				
181	327435-3	REAR SHAFT HOLDER		1				
183	162689-3	REAR SHAFT		1				
184	922311-2	ប៊ូឡុងក្បាលសោកាន់ M6X12 W		2				
185	162694-0	HEIGHT ADJUST LEVER COMPLETE		1				
186	327435-3	REAR SHAFT HOLDER		1	*			
186-1	313368-8	REAR SHAFT HOLDER R	S	1				
188	911213-7	វិសក្យាលម្ពក M5X12 WR		3				
189	459867-7	WHEEL CAP		1				
190	911213-7	វិសក្យាលម្ពក M5X12 WR		2				
195	211247-3	BALL BEARING 6002DDW		1				
196	127513-7	REAR WHEEL ASSEMBLY		1				
197	211247-3	BALL BEARING 6002DDW		1				
198	265324-3	ប៊ូឡុងក្បាលនកោណមានកាក់ទប់ M8X12		1				
203	265324-3	ប៊ូឡុងក្បាលនកោណមានកាក់ទប់ M8X12		1				
204	211247-3	BALL BEARING 6002DDW		1				
205	127514-5	FRONT WHEEL ASSEMBLY		1				
206	211247-3	BALL BEARING 6002DDW		1				
207	162688-5	FRONT SHAFT		1				
208	211247-3	BALL BEARING 6002DDW		1				
209	127514-5	FRONT WHEEL ASSEMBLY		1				
210	211247-3	BALL BEARING 6002DDW		1				
211	265324-3	ប៊ូឡុងក្បាលនកោណមានកាក់ទប់ M8X12		1				
212	341462-6	បន្ទះ		2				
213	266424-2	វិស 4X20		4				
215	422533-9	GROMMET		1				
216	459907-1	HANDLE COVER		1				
217	459907-1	HANDLE COVER		1				
224	961059-1	ប្រែរ (ext) S-19	S	1				
A01	327589-6	ROD 6		1				
A02	782210-8	សោប្រអប់ 17		1				
A03	782212-4	សោប្រអប់ 13		1				
A04	459887-1	SIDE DISCHARGE MOUTH		1				
A05B	***DC18RD	DC18RD TWO PORT FAST CHARGER		1				

Model No.DLM530 460MM CORDLESS LAWN MOWER

មុខ ទំនិញ	លេខផ្នែក	ព័ណ៌នា	I/C	Qty	New/Old	Sales	Purch.	Note
D10		COMPO-PARTS						
A06B	197280-8	ឈុតថ្នូ BL1850B		4				
F01	191D48-8	SWING BACK BLADE 530 SET		1				
F02	191D50-1	SWING BACK BLADE 530 CPL. SET		1				
F03	191D52-7	BLADE 530 SET		1				
F04	191Y65-4	BLADE 530 SET		1				

Please order the parts with part number.

Print Date 2/9/2022