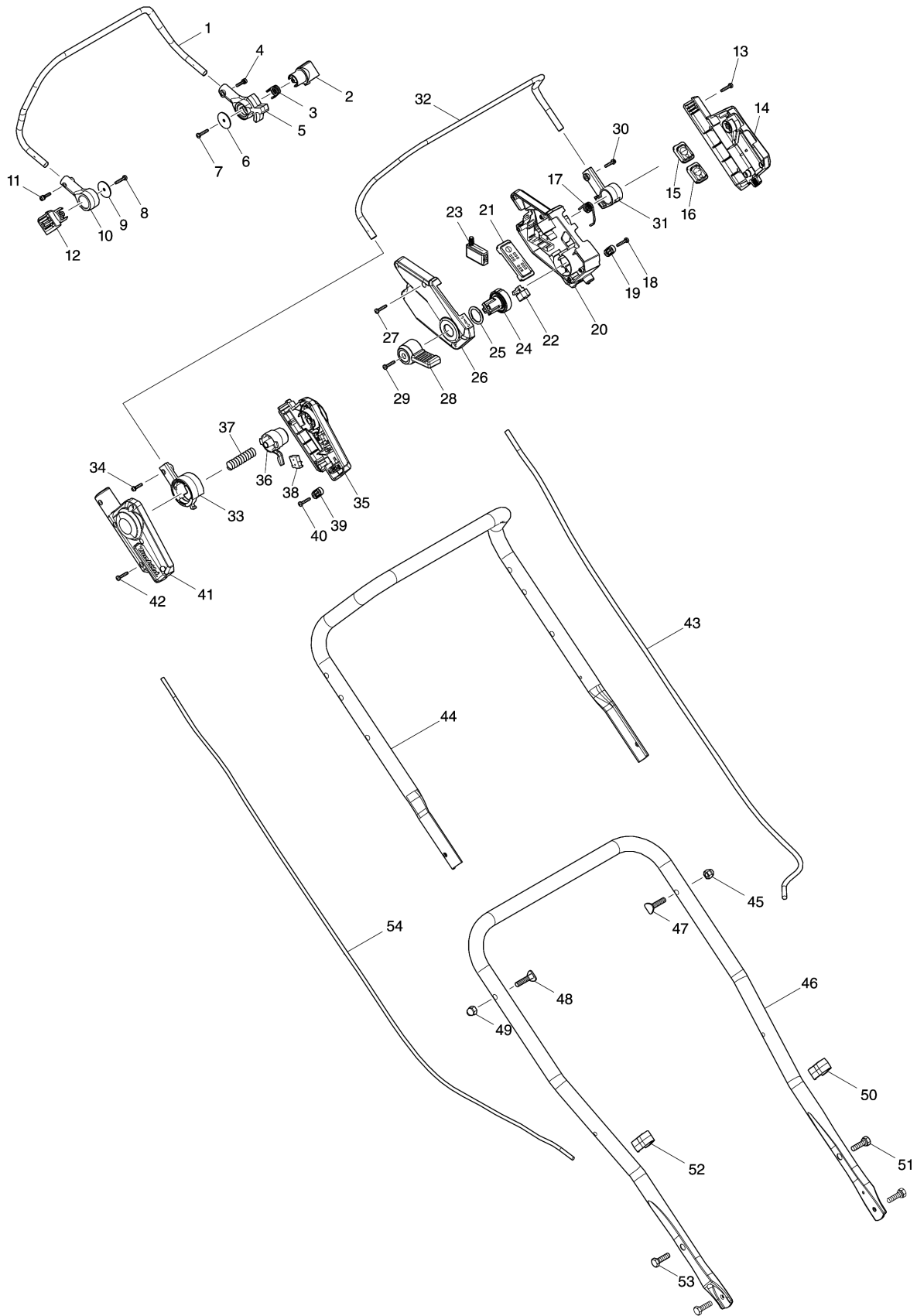
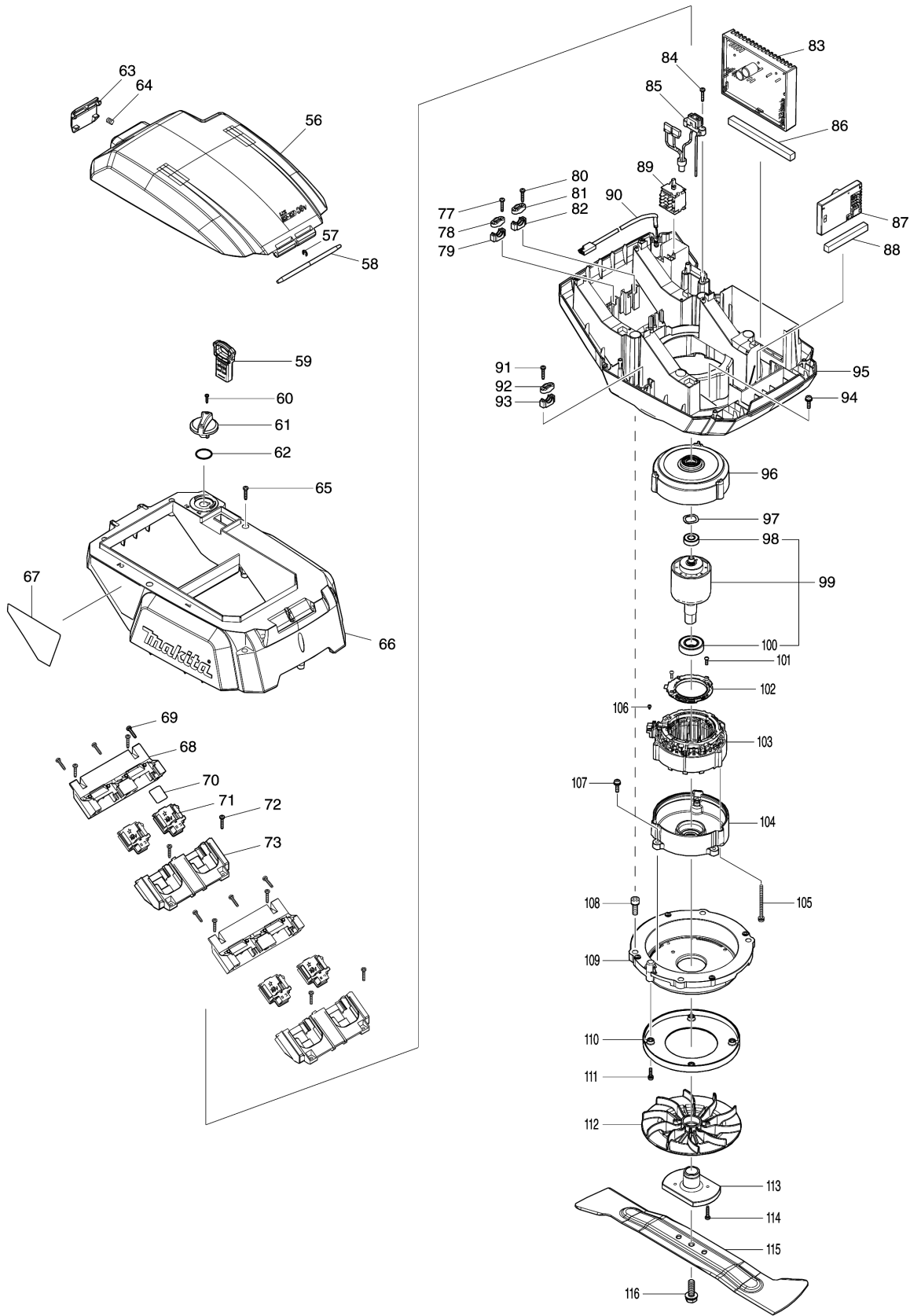


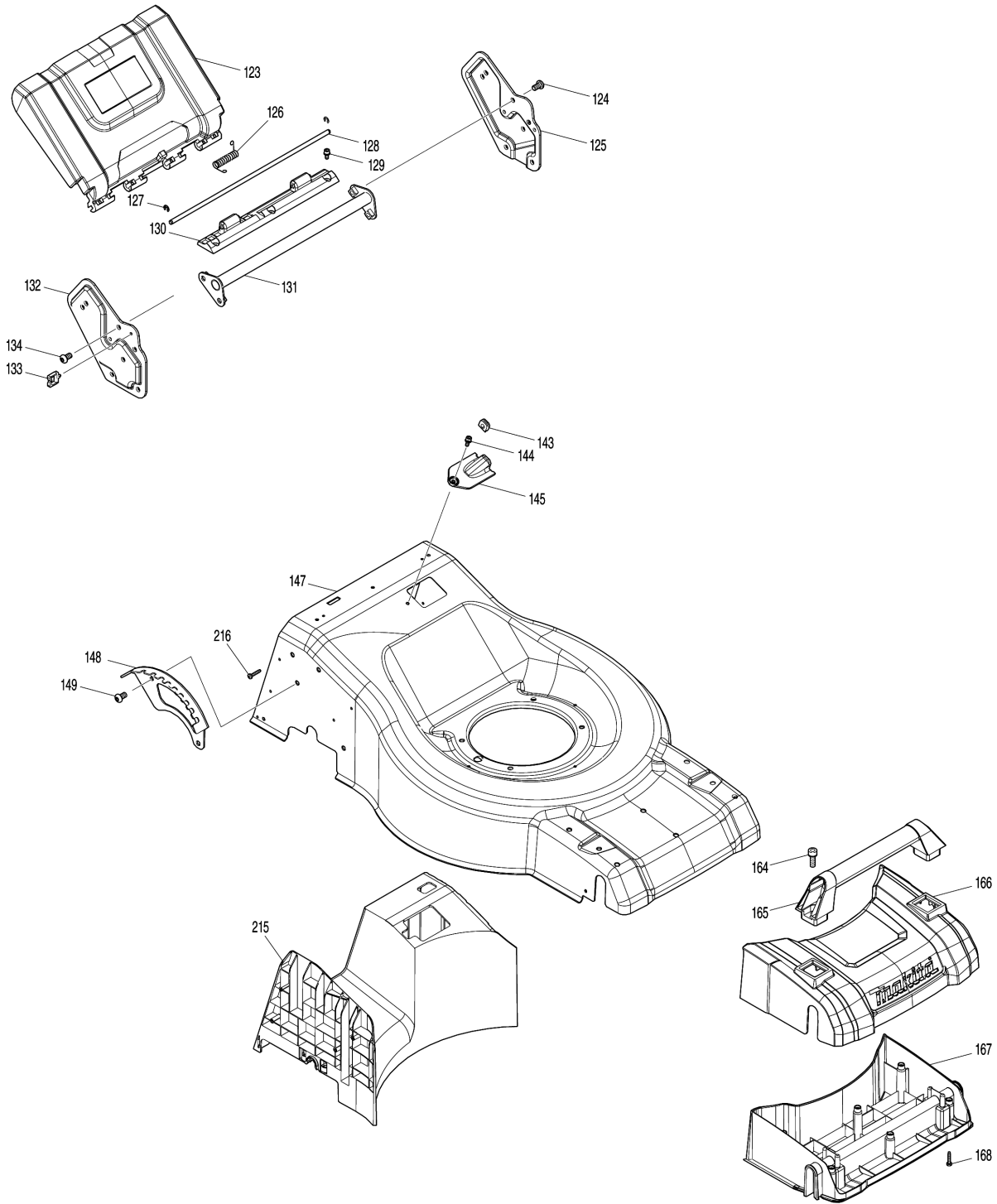
Model No.DLM462 460MM CORDLESS LAWN MOWER



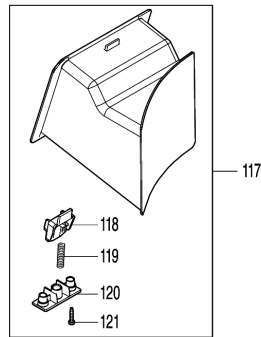
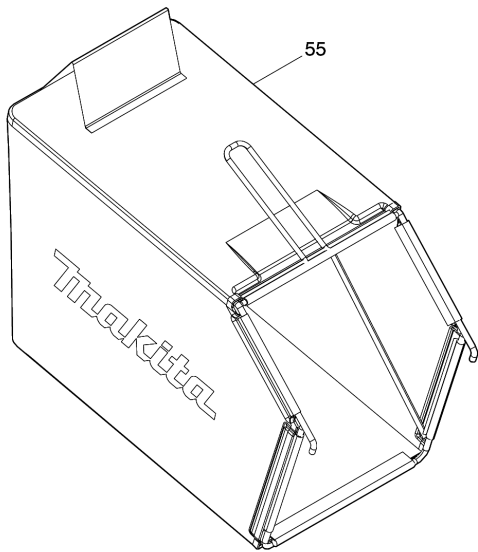
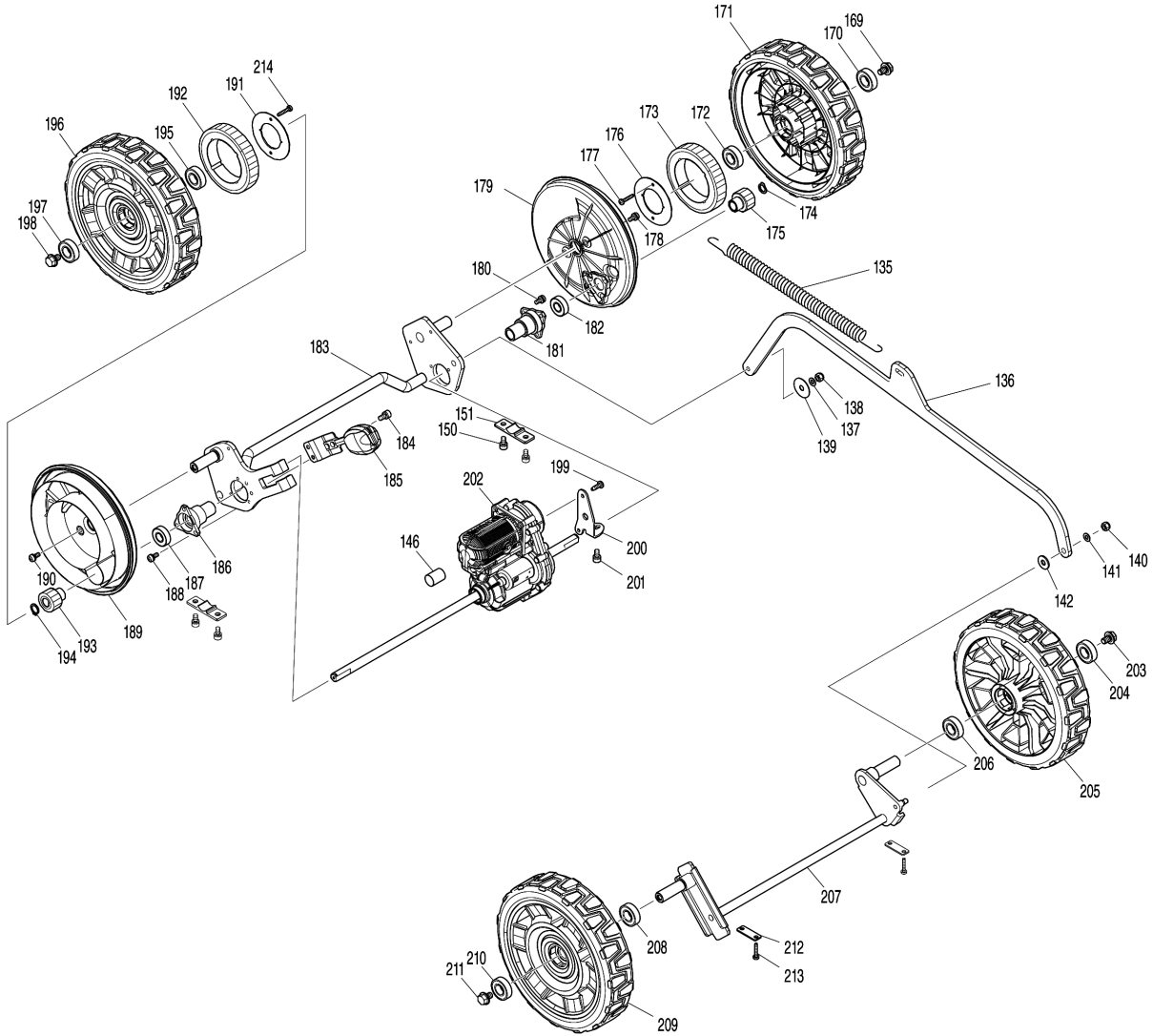
Model No.DLM462 460MM CORDLESS LAWN MOWER



Model No.DLM462 460MM CORDLESS LAWN MOWER



Model No.DLM462 460MM CORDLESS LAWN MOWER



Model No.DLM462 460MM CORDLESS LAWN MOWER

មុខ ទំនិញ	លេខផ្នែក	ព័ណ៌នា	I/C	Qty	New/Old	Sales	Purch.	Note
001	327425-6	DRIVING LEVER		1				
002	459859-6	DRIVING LEVER HOLDER		1				
003	232566-4	TORSION SPRING 12		1				
004	911138-5	វិសក្សាលម្អិត M4X20 WR		1				
005	459864-3	DRIVING LEVER SUPPORT L		1				
C10	931102-0	HEX. NUT M4		1				
006	267136-0	កាក់សំប៉ែត 5		1				
007	266424-2	វិស 4X20		1				
008	266424-2	វិស 4X20		1				
009	267136-0	កាក់សំប៉ែត 5		1				
010	459858-8	DRIVING LEVER SUPPORT R		1				
C10	931102-0	HEX. NUT M4		1				
011	911138-5	វិសក្សាលម្អិត M4X20 WR		1				
012	459859-6	DRIVING LEVER HOLDER		1				
013	266424-2	វិស 4X20		6				
014	183N90-3	SWITCH BOX SET		1				
D10		INC. 26						
015	140F09-7	SWITCH CIRCUIT COMPLETE		1				
C10	810D46-0	ស្លាកសញ្ញាក្នុងតាក់		1				
016	140F10-2	SWITCH CIRCUIT COMPLETE		1				
C10	818A74-1	ស្លាកសញ្ញាក្នុងតាក់		1				
017	232575-3	TORSION SPRING 12		1				
018	266424-2	វិស 4X20		2				
019	687124-5	STRAIN RELIEF		1				
020	459860-1	SWITCH BOX		1				
021	620C48-0	INDICATION CIRCUIT COMPLETE		1				
C10	8007C8-5	INDICATION LABEL		1				
022	620415-1	ដុំបញ្ជារង		1				
023	651083-9	ក្នុងតាក់ C3XA-1PSPM		1				
024	459866-9	SPEED LEVER HOLDER		1				
025	213897-0	O-RING 26		1				
026	183N90-3	SWITCH BOX SET		1				
D10		INC. 14						
027	266424-2	វិស 4X20		5				
028	459865-1	SPEED LEVER		1				
029	266424-2	វិស 4X20		1				
030	911138-5	វិសក្សាលម្អិត M4X20 WR		1				
031	459863-5	SWITCH LEVER SUPPORT L		1				
C10	931102-0	HEX. NUT M4		1				
032	327424-8	SWITCH LEVER		1				
033	459856-2	SWITCH LEVER SUPPORT R		1				

Please order the parts with part number.

Print Date 2/9/2022

Model No.DLM462 460MM CORDLESS LAWN MOWER

មុខ ទំនិញ	លេខផ្នែក	ព័ណ៌នា	I/C	Qty	New/Old	Sales	Purch.	Note
C10	931102-0	HEX. NUT M4		1				
034	911138-5	វិសក្សាលម្អក M4X20 WR		1				
035	183P40-0	LEVER BOX SET		1	*			
C10	8007C6-9	INDICATION LABEL		1	*			
D10		INC. 41			*			
035-1	183X73-3	LEVER BOX SET	O	1				
C10	8007C6-9	INDICATION LABEL		1				
D10		INC. 41						
036	459857-0	LOCK OFF BUTTON		1				
037	231227-3	វិស័របង្គាប់ 15		1				
038	632E26-0	សំណុំកុងតាក់		1				
039	687124-5	STRAIN RELIEF		1				
040	266424-2	វិស 4X20		2				
041	183P40-0	LEVER BOX SET		1	*			
C10	8007C6-9	INDICATION LABEL		1	*			
D10		INC. 35			*			
041-1	183X73-3	LEVER BOX SET	O	1				
C10	8007C6-9	INDICATION LABEL		1				
D10		INC. 35						
042	266424-2	វិស 4X20		6				
043	699143-9	POWER SUPPLY CORD UNIT		1				
044	327421-4	HANDLE UPPER		1				
045	252278-3	HEX. CAP NUT M8		1				
046	327423-0	HANDLE LOWER		1				
047	265A62-3	FLAT HEAD BOLT M8X38		1				
048	265A62-3	FLAT HEAD BOLT M8X38		1				
049	252278-3	HEX. CAP NUT M8		1				
050	459905-5	CLAMP		1				
051	921451-3	ប៊ូឡុងក្បាលឆកោណ M8X30 W		2				
052	459905-5	CLAMP		1				
053	921451-3	ប៊ូឡុងក្បាលឆកោណ M8X30 W		2				
054	699142-1	POWER SUPPLY CORD UNIT		1				
055	127433-5	GRASS CATCHER ASSEMBLY		1	*			
055-1	162996-4	GRASS CATCHER	S	1				
056	140S03-7	BATTERY COVER COMPLETE		1				
C10	890380-0	ស្លាកសញ្ញាណែនាំ		1				
057	961018-5	វិញ្ញូនបំ (EXT) E-5		1				
058	327536-7	ROD 6		1				
059	643535-4	KEY		1				
060	266404-8	វិស 3X14		1				
061	459851-2	SWITCH LEVER		1				

Model No.DLM462 460MM CORDLESS LAWN MOWER

មុខ ទំនិញ	លេខផ្នែក	ព័ណ៌នា	I/C	Qty	New/Old	Sales	Purch.	Note
062	213896-2	O-RING 24		1				
063	459852-0	LOCK LEVER		1				
064	231037-8	វិស័របង្គាប់ 7		1				
065	266424-2	វិស 4X20		7				
066	459847-3	COWLING UPPER		1				
067	856P63-8	DLM462 NAME PLATE		1				
068	183N78-3	TERMINAL HOUSING SET		2				
C10	263005-3	កន្លាស់កៅស៊ូ 6		8				
D10		INC. 73						
069	266424-2	វិស 4X20		6				
070	856P71-9	DLM462 SERIAL NO. LABEL		1				
071	644809-6	ដូមីណូ		4				
072	266424-2	វិស 4X20		8				
073	183N78-3	TERMINAL HOUSING SET		2				
C10	263005-3	កន្លាស់កៅស៊ូ 6		8				
D10		INC. 68						
077	266424-2	វិស 4X20		2				
078	687124-5	STRAIN RELIEF		1				
079	687051-6	STRAIN RELIEF		1				
080	266424-2	វិស 4X20		2				
081	687124-5	STRAIN RELIEF		1				
082	687051-6	STRAIN RELIEF		1				
083	620C44-8	CONTROLLER		1				
084	266424-2	វិស 4X20		2				
085	632P74-5	LEAD UNIT		1				
086	422529-0	SPONGE B		1				
087	620C47-2	CONTROLLER		1				
088	422528-2	SPONGE A		1				
089	651444-3	SWITCH 1703.4703		1				
090	699145-5	POWER SUPPLY CORD UNIT		1				
091	266424-2	វិស 4X20		2				
092	687124-5	STRAIN RELIEF		1				
093	687051-6	STRAIN RELIEF		1				
094	911233-1	វិសក្បាលម្នាក់ M5X20 WR		4				
095	459848-1	COWLING LOWER		1				
096	319869-4	MOTOR HOUSING UPPER		1				
097	253455-0	WAVE WASHER 19		1				
098	210141-6	BALL BEARING 6000DDW		1				
099	519606-8	ROTOR ASS'Y		1				
D10		INC. 98,100						
100	211387-7	BALL BEARING 6004LLU		1				

Model No.DLM462 460MM CORDLESS LAWN MOWER

មុខ ទំនិញ	លេខផ្នែក	ឈ្មោះ	I/C	Qty	New/Old	Sales	Purch.	Note
101	265B29-7	TAPPING SCREW PT 2X8		2				
102	620B88-2	CONTROLLER B		1				
103	629465-3	STATOR		1				
104	319870-9	MOTOR HOUSING LOWER		1				
105	911691-1	វិសក្សាលម្អក M5X70 WRM		3				
106	652031-1	វិសក្សាលម្អក M3X6		3				
107	911233-1	វិសក្សាលម្អក M5X20 WR		4				
108	922441-9	ប៊ូឡុងក្បាលសោកាន់ M8X25 W		4				
109	319867-8	MOTOR BRACKET		1				
110	459853-8	BAFFLE PLATE		1				
111	911126-2	វិសក្សាលម្អក M4X16 W		4				
112	240205-2	FAN 170		1				
113	319882-2	BLADE SUPPORT		1				
114	266424-2	វិស 4X20		2				
115	191D51-9	BLADE 460 SET		1				
116	265A69-9	HEX. BOLT M10X35 WITH WG		1				
117	127515-3	MULCHING PLUG ASSEMBLY		1				
D10		INC. 118-121						
118	459884-7	LOCK LEVER		1				
119	231401-3	វិសរបង្កាប់ 7		1				
120	459885-5	LOCK LEVER SUPPORT		1				
121	266424-2	វិស 4X20		2				
123	140R95-0	REAR FLAP COMPLETE		1				
C10	8007P8-6	CAUTION LABEL		1				
124	265B20-5	HEX.SOCKET BUTTON HEAD BOLT M8		4				
125	347579-3	HANDLE BRACKET L		1				
126	233597-6	វិសរបង្កាប់ 8		1				
127	961018-5	វិញ្ញាប (EXT) E-5		2				
128	327419-1	ROD 6		1				
129	922213-2	ប៊ូឡុងក្បាលសោកាន់ M5X12 WR		3				
130	459879-0	REAR FLAP HOLDER PLATE		1				
131	162693-2	REAR GRIP		1				
132	347578-5	HANDLE BRACKET R		1				
133	451825-9	CLAMP		1				
134	265B20-5	HEX.SOCKET BUTTON HEAD BOLT M8		4				
135	232628-8	TENSION SPRING 16		1				
136	347581-6	CONNECTING ROD		1				
137	941151-9	កាកសំប៉ែត 6		1				
138	252014-7	HEX. LOCK NUT M6-10		1				
139	267216-2	កាកសំប៉ែត 8		1				

Please order the parts with part number.

Print Date 2/9/2022

Model No.DLM462 460MM CORDLESS LAWN MOWER

មុខ ទំនិញ	លេខផ្នែក	ព័ណ៌នា	I/C	Qty	New/Old	Sales	Purch.	Note
140	252014-7	HEX. LOCK NUT M6-10		1				
141	941151-9	កាក់សំប៉ែត 6		1				
142	253762-1	កាក់សំប៉ែត 8		1				
143	422526-6	GROMMET		1				
144	922213-2	ប៊ូឡុងក្បាលសោតាន់ M5X12 WR		1				
145	459880-5	LEAD COVER		1				
146	683A20-1	POLYOLEFIN TUBE		1				
147	347560-4	DECK		1				
148	347582-4	HEIGHT ADJUST PLATE		1				
149	265B20-5	HEX.SOCKET BUTTON HEAD BOLT M8		2				
150	922311-2	ប៊ូឡុងក្បាលសោតាន់ M6X12 W		4				
151	313290-9	REAR SHAFT HOLDER COVER		2				
164	922441-9	ប៊ូឡុងក្បាលសោតាន់ M8X25 W		2				
165	459870-8	FRONT GRIP		1				
166	459873-2	FRONT COVER		1				
167	459874-0	DECK UNDER COVER F		1				
168	266424-2	វិស 4X20		6				
169	265324-3	ប៊ូឡុងក្បាលគោណមានកាក់ទប់ M8X12		1				
170	211247-3	BALL BEARING 6002DDW		1				
171	127513-7	REAR WHEEL ASSEMBLY		1				
172	211247-3	BALL BEARING 6002DDW		1				
173	226941-4	SPUR GEAR 49		1				
174	961052-5	ប្រៀប (ext) S-12		1				
175	226940-6	SPUR GEAR 12		1				
176	347586-6	GEAR HOLDER PLATE		1				
177	266424-2	វិស 4X20		2				
178	911213-7	វិសក្បាលម្នាក់ M5X12 WR		2				
179	459867-7	WHEEL CAP		1				
180	911213-7	វិសក្បាលម្នាក់ M5X12 WR		3				
181	327426-4	REAR SHAFT HOLDER		1				
182	210163-6	BALL BEARING 6001DDW		2				
183	162691-6	REAR SHAFT		1				
184	922311-2	ប៊ូឡុងក្បាលសោតាន់ M6X12 W		2				
185	162694-0	HEIGHT ADJUST LEVER COMPLETE		1				
186	327426-4	REAR SHAFT HOLDER		1				
187	210163-6	BALL BEARING 6001DDW		2				
188	911213-7	វិសក្បាលម្នាក់ M5X12 WR		3				
189	459867-7	WHEEL CAP		1				
190	911213-7	វិសក្បាលម្នាក់ M5X12 WR		2				

Model No.DLM462 460MM CORDLESS LAWN MOWER

មុខ ទំនិញ	លេខផ្នែក	ឥណ្ឌីនា	I/C	Qty	New/Old	Sales	Purch.	Note
191	347586-6	GEAR HOLDER PLATE		1				
192	226941-4	SPUR GEAR 49		1				
193	226940-6	SPUR GEAR 12		1				
194	961052-5	ប្រៀរ (ext) S-12		1				
195	211247-3	BALL BEARING 6002DDW		1				
196	127513-7	REAR WHEEL ASSEMBLY		1				
197	211247-3	BALL BEARING 6002DDW		1				
198	265324-3	ប៊ូឡុងក្បាលឆកោណមាន កាក់ទប់ M8X12		1				
199	266388-0	វិស 5X16		2				
200	347585-8	BRACKET		1				
201	922311-2	ប៊ូឡុងក្បាលសោតាន់ M6X12 W		1				
202	127509-8	DRIVE UNIT ASSEMBLY		1				
203	265324-3	ប៊ូឡុងក្បាលឆកោណមាន កាក់ទប់ M8X12		1				
204	211247-3	BALL BEARING 6002DDW		1				
205	127514-5	FRONT WHEEL ASSEMBLY		1				
206	211247-3	BALL BEARING 6002DDW		1				
207	162690-8	FRONT SHAFT		1				
208	211247-3	BALL BEARING 6002DDW		1				
209	127514-5	FRONT WHEEL ASSEMBLY		1				
210	211247-3	BALL BEARING 6002DDW		1				
211	265324-3	ប៊ូឡុងក្បាលឆកោណមាន កាក់ទប់ M8X12		1				
212	341462-6	បន្ទះ		2				
213	266424-2	វិស 4X20		4				
214	266424-2	វិស 4X20		2				
215	459875-8	DECK UNDER COVER R		1				
216	266424-2	វិស 4X20		10				
217	327879-7	GRASS CATCHER BRACKET	S	1				
A01	327589-6	ROD 6		1				
A02	782210-8	សោរប្រអប់ 17		1				
A03	782212-4	សោរប្រអប់ 13		1				
A05B	***DC18RD	DC18RD TWO PORT FAST CHARGER		1				
D10		COMPO-PARTS						
A06B	197280-8	ឈុតថ្ម BL1850B		4				
F01	191D47-0	SWING BACK BLADE 460 SET		1				
F02	191D49-6	SWING BACK BLADE 460 CPL. SET		1				
F03	191D51-9	BLADE 460 SET		1				
F04	191Y63-8	BLADE 460 SET		1				

Please order the parts with part number.

Print Date 2/9/2022