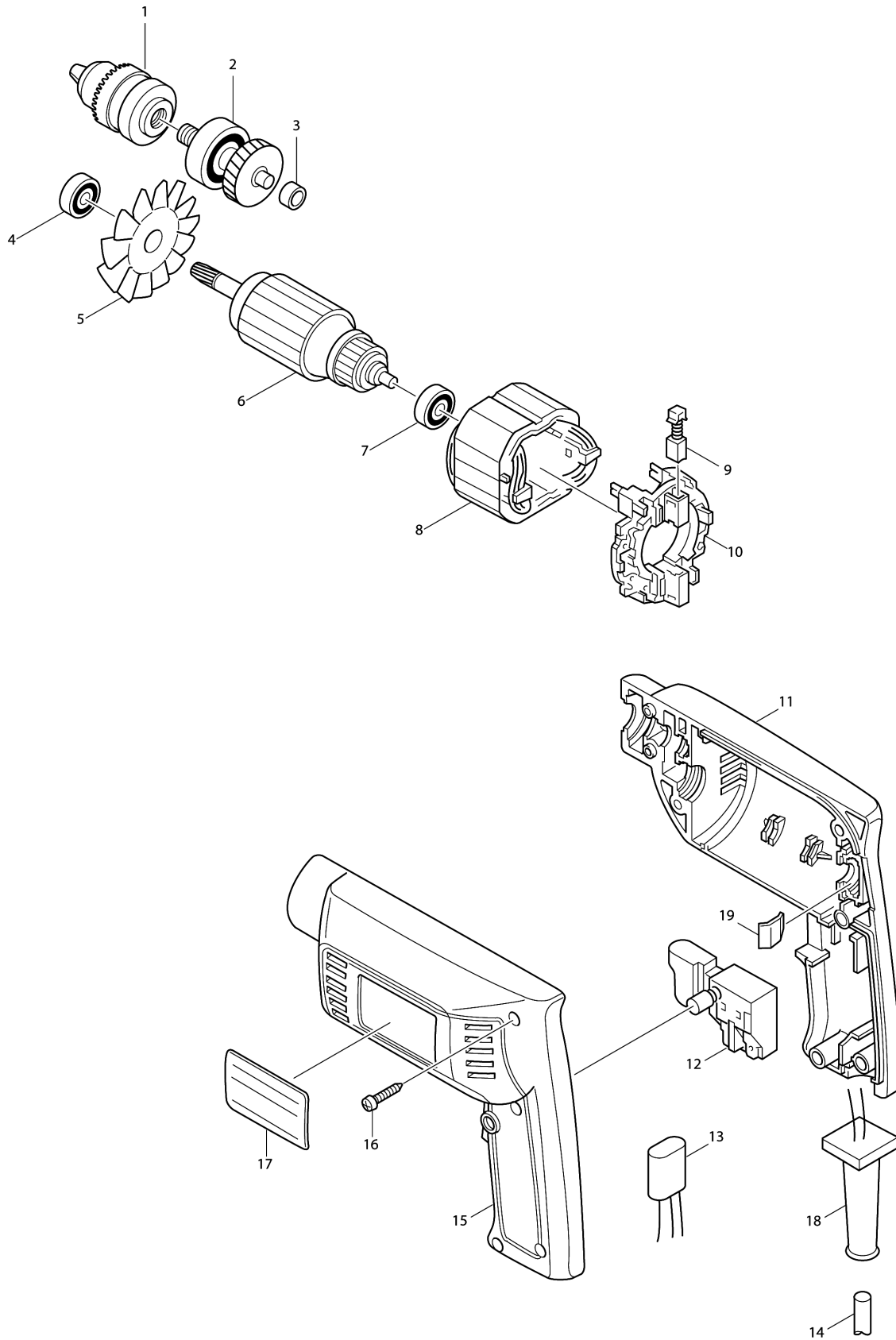


Model No.6501 HIGH SPEED DRILL 6.5MM





Model No.6501 HIGH SPEED DRILL 6.5MM

មុខ ទំនិញ	លេខផ្នែក	ព័ណ៌នា	I/C	Qty	New/Old	Sales	Purch.	Note
001-1	192887-5	DRILL CHUCK		1				
002	153178-9	GEAR COMPLETE		1				
003	214017-9	PLANE BEARING 5		1				
004	211018-8	BALL BEARING 626LB		1	*			
004-1	211016-2	BALL BEARING 626LLB	O	1				
005	241508-7	FAN 52		1				
006C1	517033-3	ARMATURE ASS'Y 220V		1				
D10		INC. 4,5,7						
007	211018-8	BALL BEARING 626LB		1	*			
007-1	211016-2	BALL BEARING 626LLB	O	1				
008C_	633033-6	FIELD 220V		1				
009	191914-5	CARBON BRUSH CB-70		1	*			
009-1	B-80276	CARBON BRUSH SET CB-70A	<	1				
010-1	632073-1	TERMINAL BASE COMPLETE 55C		1				
011-4	183067-4	HOUSING SET	O	1	*			
D10		INC. 15			*			
011-5	183209-0	HOUSING SET	S	1				
D10		INC. 15						
012	651242-5	SWITCH SGEL106C-1		1	*			
012-1	650223-6	SWITCH SGEL115CD-4	S	1				
013	645105-5	NOISE SUPPRESSOR		1				
014N_	691055-2	POWER SUPPLY CORD 0.75- 2-2.0		1				
015-4	183067-4	HOUSING SET	O	1	*			
D10		INC. 11			*			
015-5	183209-0	HOUSING SET	S	1				
D10		INC. 11						
016-1	265874-8	TAPPING SCREW BT 4X20		6				
017	856067-4	NAME PLATE 6501		1				
018	682502-4	CORD GUARD 8-85		1				
019	232100-0	LEAF SPRING		1				
020	265995-6	TAPPING SCREW 4X18		2				
021	687052-4	STRAIN RELIEF		1				
404	763418-3	CHUCK KEY S10		1				
405	411780-7	KEY HOLDER 10		1				

Please order the parts with part number.

Print Date 1/9/2022

