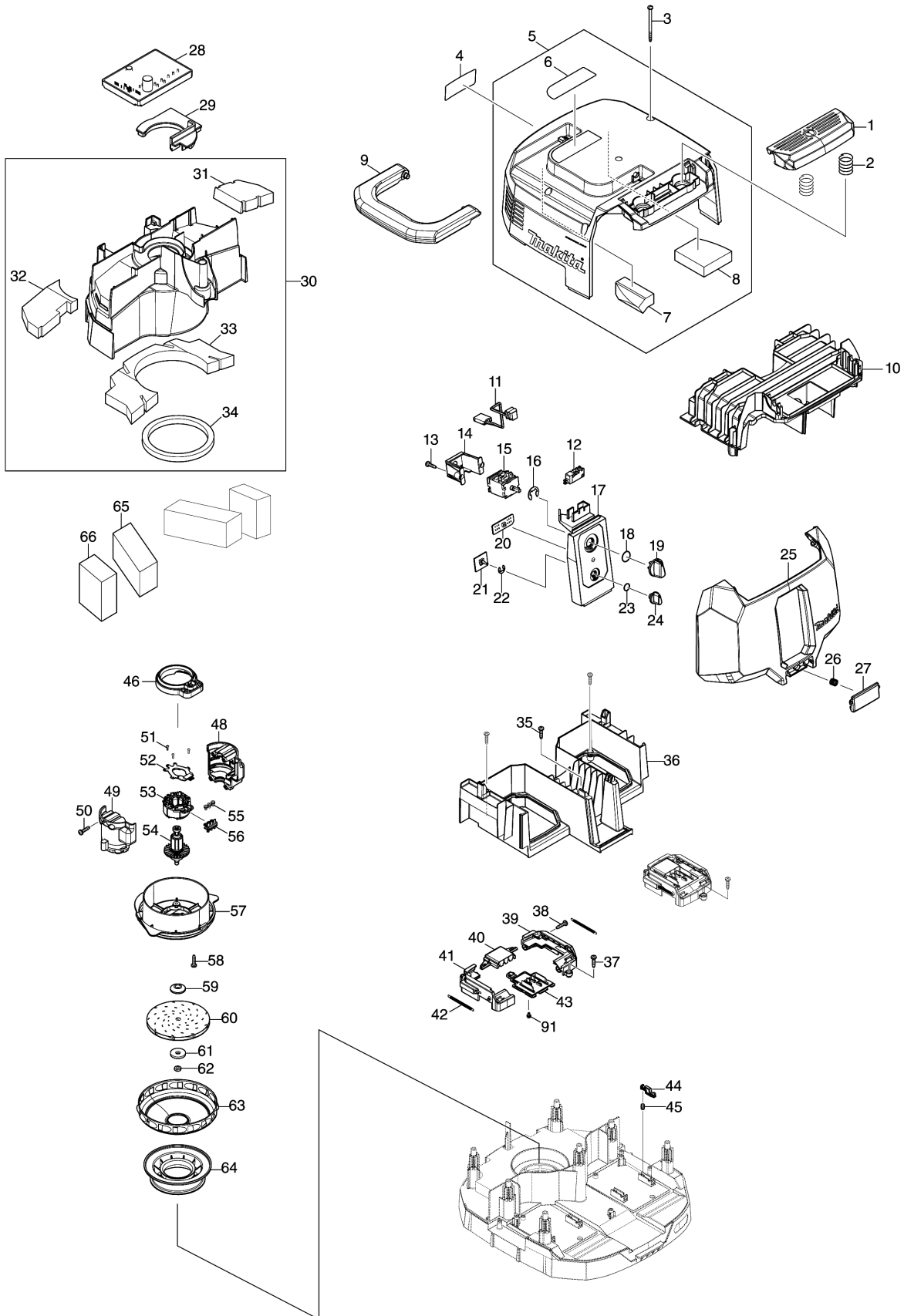
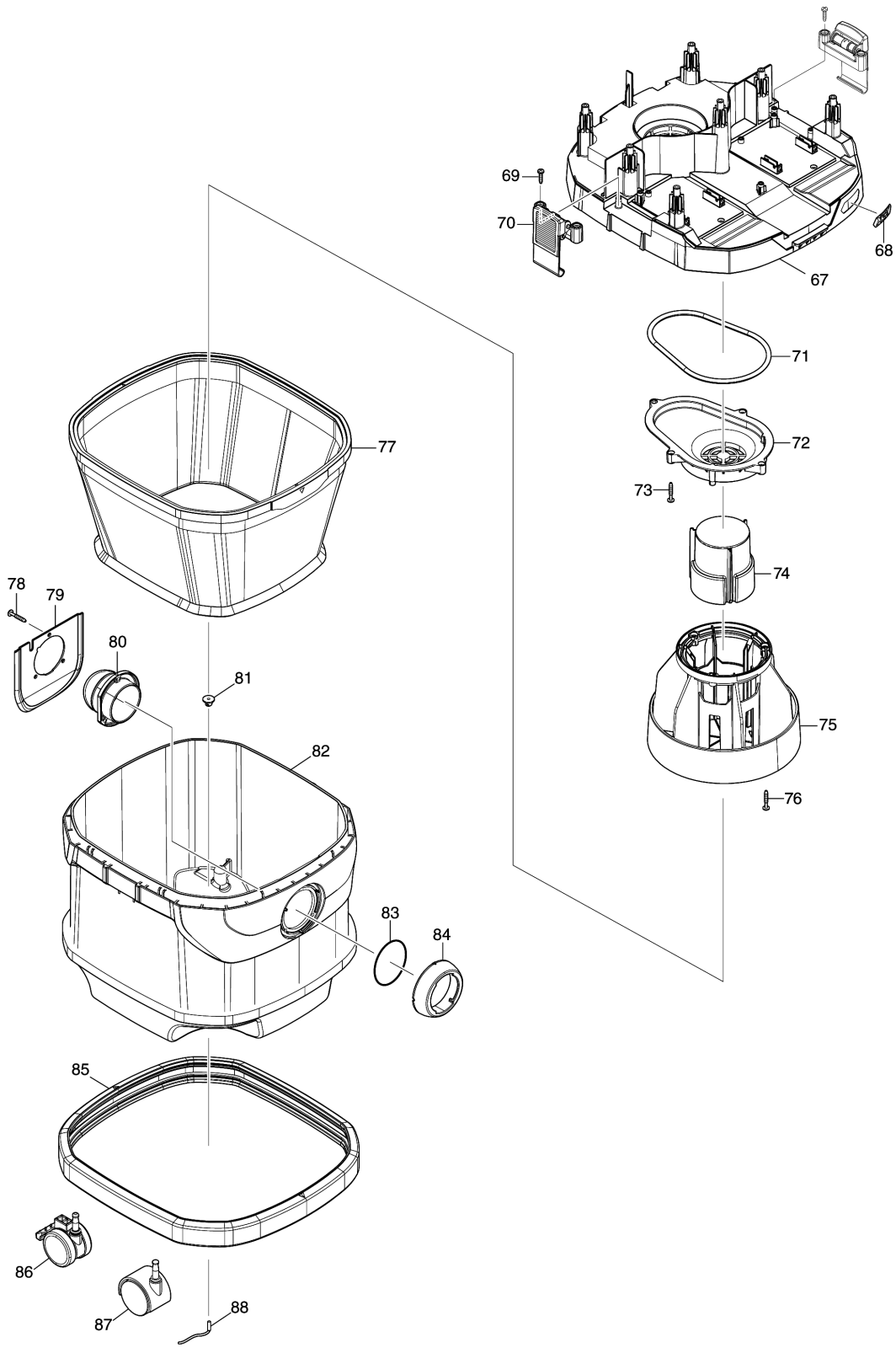


Model No.VC003GL CORDLESS VACUUM CLEANER





Model No.VC003GL CORDLESS VACUUM CLEANER





Model No.VC003GL CORDLESS VACUUM CLEANER

| មុខ<br>ទំនិញ | លេខផ្នែក | ព័ណ៌នា               | I/C | Qty | New/Old | Sales | Purch. | Note |
|--------------|----------|----------------------|-----|-----|---------|-------|--------|------|
| 001          | 413B26-9 | SWITCH BUTTON        |     | 1   |         |       |        |      |
| 002          | 234273-5 | វិស័របង្ហាប់ 20      |     | 2   |         |       |        |      |
| 003          | 266340-8 | វិស 4X65             |     | 7   |         |       |        |      |
| 004          | 8112L2-5 | VC003GL NAME PLATE   |     | 1   |         |       |        |      |
| 005          | 141F78-1 | COWLING COMPLETE     |     | 1   |         |       |        |      |
| D10          |          | INC. 6-8             |     |     |         |       |        |      |
| 006          | 813A18-6 | CAUTION LABEL        |     | 1   |         |       |        |      |
| 007          | 422796-7 | TOP DAMPER A         |     | 1   |         |       |        |      |
| 008          | 422797-5 | TOP DAMPER B         |     | 1   |         |       |        |      |
| 009          | 413B27-7 | GRIP                 |     | 1   |         |       |        |      |
| 010          | 413B33-2 | UPPER HOUSING        |     | 1   |         |       |        |      |
| 011          | 638A20-6 | LEAD UNIT            |     | 1   |         |       |        |      |
| 012          | 651910-0 | កុងតាក់ D2VW-01-3HS  |     | 1   |         |       |        |      |
| 013          | 266326-2 | វិស 4X18             |     | 2   |         |       |        |      |
| 014          | 451343-7 | SWITCH HOLDER        |     | 1   |         |       |        |      |
| 015          | 650013-7 | SWITCH 1703.4002     |     | 1   |         |       |        |      |
| 016          | 961062-2 | វិញ្ញូនបំ (EXT) E-12 |     | 1   |         |       |        |      |
| 017          | 141F75-7 | SWITCH BASE COMPLETE |     | 1   |         |       |        |      |
| C10          | 8040N1-6 | INDICATION LABEL     |     | 1   |         |       |        |      |
| 018          | 213176-6 | វិញ្ញាងអក្សរ O 14    |     | 1   |         |       |        |      |
| 019          | 455733-6 | គន្លឹះកុងតាក់        |     | 1   |         |       |        |      |
| 020          | 620F40-4 | INDICATION CIRCUIT   |     | 1   |         |       |        |      |
| 021          | 620D39-7 | SUB CONTROLLER       |     | 1   |         |       |        |      |
| 022          | 961013-5 | វិញ្ញូនបំ (EXT) E-7  |     | 1   |         |       |        |      |
| 023          | 213054-0 | វិញ្ញាងអក្សរ O 9     |     | 1   |         |       |        |      |
| 024          | 451344-5 | កុងតាក់កាច់          |     | 1   |         |       |        |      |
| 025          | 413B28-5 | BATTERY COVER        |     | 1   |         |       |        |      |
| 026          | 231456-8 | វិស័របង្ហាប់ 7       |     | 1   |         |       |        |      |
| 027          | 413B30-8 | BATTERY COVER HOOK   |     | 1   |         |       |        |      |
| 028          | 620F37-3 | CONTROLLER           |     | 1   |         |       |        |      |
| 029          | 422795-9 | RUBBER CAP           |     | 1   |         |       |        |      |
| 030          | 141F84-6 | SEPARATOR COMPLETE   |     | 1   |         |       |        |      |
| D10          |          | INC. 31-34           |     |     |         |       |        |      |
| 031          | 422802-8 | BAND DUMPER E        |     | 1   |         |       |        |      |
| 032          | 422801-0 | BAND DUMPER D        |     | 1   |         |       |        |      |
| 033          | 422799-1 | BAND DUMPER B        |     | 1   |         |       |        |      |
| 034          | 422804-4 | SEAL A               |     | 1   |         |       |        |      |
| 035          | 266326-2 | វិស 4X18             |     | 3   |         |       |        |      |
| 036          | 413B31-6 | LOWER HOUSING        |     | 1   |         |       |        |      |
| 037          | 266326-2 | វិស 4X18             |     | 4   |         |       |        |      |
| 038          | 266326-2 | វិស 4X18             |     | 4   |         |       |        |      |

Model No.VC003GL CORDLESS VACUUM CLEANER

| មុខ<br>ទំនិញ | លេខផ្នែក | ព័ណ៌នា               | I/C | Qty | New/Old | Sales | Purch. | Note |
|--------------|----------|----------------------|-----|-----|---------|-------|--------|------|
| 039          | 183U06-0 | TERMINAL CASE SET    |     | 2   |         |       |        |      |
| D10          |          | INC. 41              |     |     |         |       |        |      |
| 040          | 413B40-5 | TERMINAL COVER       |     | 2   |         |       |        |      |
| 041          | 183U06-0 | TERMINAL CASE SET    |     | 2   |         |       |        |      |
| D10          |          | INC. 39              |     |     |         |       |        |      |
| 042          | 232722-6 | TENSION SPRING 4     |     | 4   |         |       |        |      |
| 043          | 632T08-2 | TERMINAL UNIT        |     | 2   |         |       |        |      |
| 044          | 413B41-3 | LOCK LEVER           |     | 4   |         |       |        |      |
| 045          | 232472-3 | COMPRESSION SPRING 2 |     | 4   |         |       |        |      |
| 046          | 422794-1 | RUBBER RING          |     | 1   |         |       |        |      |
| 048          | 183U05-2 | MOTOR HOUSING SET    |     | 1   |         |       |        |      |
| D10          |          | INC. 49              |     |     |         |       |        |      |
| 049          | 183U05-2 | MOTOR HOUSING SET    |     | 1   |         |       |        |      |
| D10          |          | INC. 48              |     |     |         |       |        |      |
| 050          | 266326-2 | វិស 4X18             |     | 4   |         |       |        |      |
| 051          | 266490-9 | វិស 2X6              |     | 3   |         |       |        |      |
| 052          | 620F39-9 | CONTROLLER B         |     | 1   |         |       |        |      |
| 053          | 629A83-3 | STATOR               |     | 1   |         |       |        |      |
| 054          | 619704-9 | ROTOR                |     | 1   |         |       |        |      |
| 055          | 652069-6 | វិស M3X6             |     | 3   |         |       |        |      |
| 056          | 632S88-2 | LEAD UNIT            |     | 1   |         |       |        |      |
| 057          | 413B45-5 | FAN BASE             |     | 1   |         |       |        |      |
| 058          | 266326-2 | វិស 4X18             |     | 3   |         |       |        |      |
| 059          | 313062-2 | ដុំឆប                |     | 1   |         |       |        |      |
| 060          | 240178-9 | កង្ហារ 104           |     | 1   |         |       |        |      |
| 061          | 253752-4 | កាកសំប៉ែត 8          |     | 1   |         |       |        |      |
| 062          | 252268-6 | HEX. NUT M6          |     | 1   |         |       |        |      |
| 063          | 347171-5 | គម្របកង្ហារ          |     | 1   |         |       |        |      |
| 064          | 422793-3 | SUPPORT RING         |     | 1   |         |       |        |      |
| 065          | 422803-6 | REAR BLOCK FILTER A  |     | 2   |         |       |        |      |
| 066          | 422819-1 | REAR BLOCK FILTER B  |     | 2   |         |       |        |      |
| 067          | 141F83-8 | TANK COVER COMPLETE  |     | 1   |         |       |        |      |
| C10          | 422798-3 | BAND DUMPER A        |     | 1   |         |       |        |      |
| 068          | 8030S0-0 | XGT LOGO LABEL       |     | 1   |         |       |        |      |
| 069          | 266326-2 | វិស 4X18             |     | 4   |         |       |        |      |
| 070          | 162A10-2 | HOOK COMPLETE        |     | 2   |         |       |        |      |
| 071          | 422805-2 | SEAL RING            |     | 1   |         |       |        |      |
| 072          | 413B22-7 | LOWER TANK COVER     |     | 1   |         |       |        |      |
| 073          | 266374-1 | វិស 4X25             |     | 4   |         |       |        |      |
| 074          | 144627-7 | FLOAT COMPLETE       |     | 1   |         |       |        |      |
| 075          | 457845-1 | FLOAT CAGE           |     | 1   |         |       |        |      |

Model No.VC003GL CORDLESS VACUUM CLEANER

| មុខ<br>ទំនិញ | លេខផ្នែក | ព័ណ៌នា                      | I/C | Qty | New/Old | Sales | Purch. | Note |
|--------------|----------|-----------------------------|-----|-----|---------|-------|--------|------|
| 076          | 266374-1 | វីស 4X25                    |     | 3   |         |       |        |      |
| 077          | 144625-1 | CLOTH FILTER COMPLETE       |     | 1   |         |       |        |      |
| 078          | 266374-1 | វីស 4X25                    |     | 3   |         |       |        |      |
| 079          | 457853-2 | HOLDER PLATE                |     | 1   |         |       |        |      |
| 080          | 457852-4 | HOLDER                      |     | 1   |         |       |        |      |
| 081          | 421468-1 | ទ្រនាប់ខ្សែ                 |     | 1   |         |       |        |      |
| 082          | 457855-8 | TANK                        |     | 1   |         |       |        |      |
| 083          | 213655-4 | វិញ្ញាណអក្សរ O 56           |     | 1   |         |       |        |      |
| 084          | 457851-6 | INLET                       |     | 1   |         |       |        |      |
| 085          | 422176-7 | BUMPER                      |     | 1   |         |       |        |      |
| 086          | 168535-8 | កង់កិល 50                   |     | 2   |         |       |        |      |
| 087          | 168434-4 | កង់កិល 50                   |     | 2   |         |       |        |      |
| 088          | 649150-2 | ខ្សែដី 120                  |     | 1   |         |       |        |      |
| 091          | 652031-1 | វីសក្បាលម្នាក់ M3X6         |     | 4   |         |       |        |      |
| A01          | 191G86-8 | NOZZLE ASSEMBLY SET         |     | 1   |         |       |        |      |
| A02          | 140G19-0 | TELESCOPIC PIPE COMPLETE    |     | 1   |         |       |        |      |
| A03          | 140G26-3 | BENT PIPE COMPLETE          |     | 1   |         |       |        |      |
| A04          | 199493-7 | HOSE COMPLETE 32-1.7 SET    |     | 1   |         |       |        |      |
| A05          | 195432-5 | ឈុតដងដី                     |     | 1   |         |       |        |      |
| A06          | 413B37-4 | MULTI HOOK                  |     | 1   |         |       |        |      |
| A07          | 451350-0 | ឧបករណ៍ទប់                   |     | 1   |         |       |        |      |
| A08          | 198919-6 | LONG SASH NOZZLE SET 28 WHI |     | 1   |         |       |        |      |
| A09          | 911133-5 | វីសក្បាលម្នាក់ M4X18 WR     |     | 1   |         |       |        |      |

Please order the parts with part number.

Print Date 1/9/2022