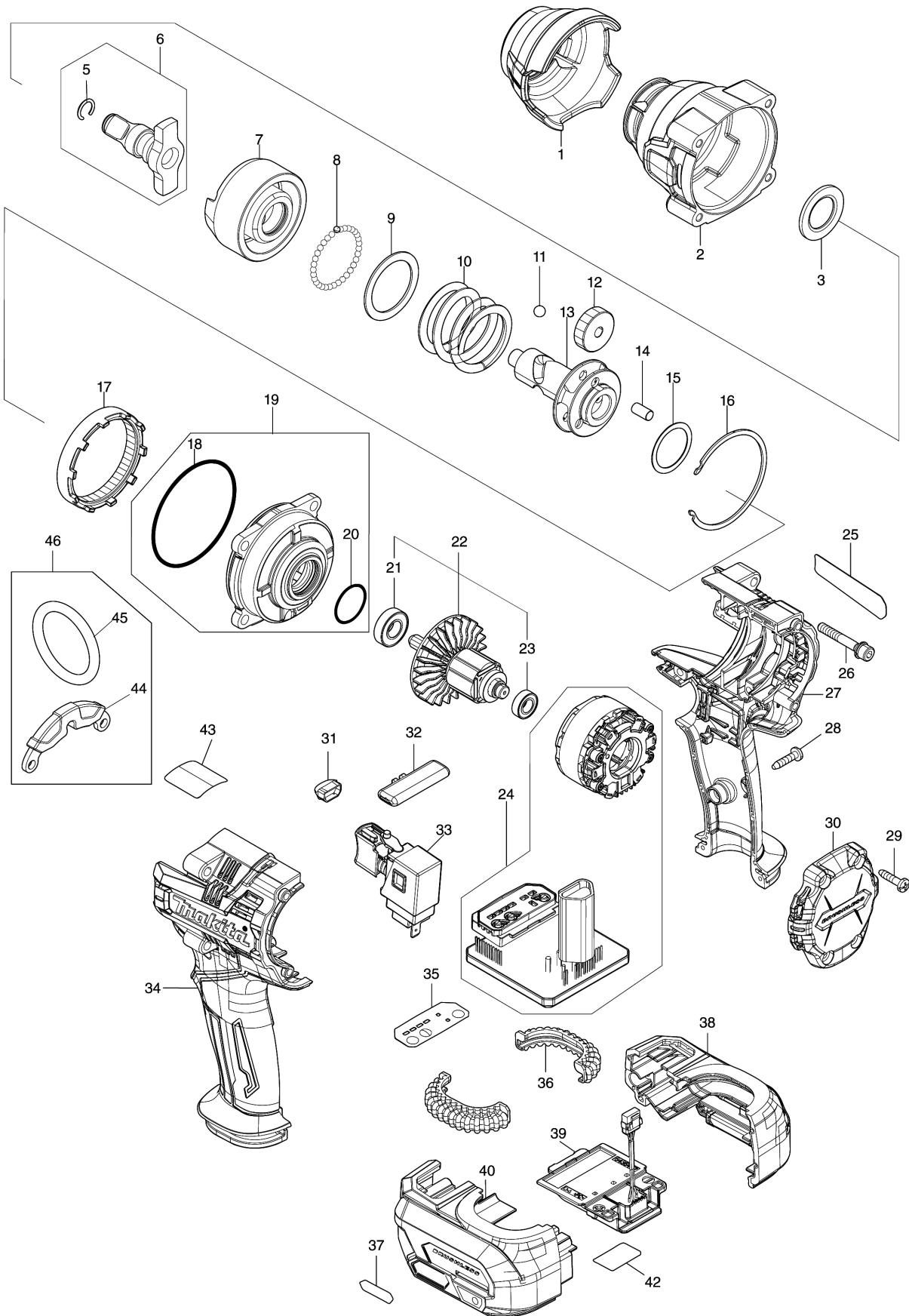


Model No.TW007G CORDLESS IMPACT WRENCH





Model No.TW007G CORDLESS IMPACT WRENCH

មុខ ទំនិញ	លេខផ្នែក	ព័ណ៌នា	I/C	Qty	New/Old	Sales	Purch.	Note
001	422709-8	BUMPER		1				
002	141A99-3	HAMMER CASE COMPLETE		1				
003	253481-9	FLAT WASHER 20		1				
005	231907-1	វិស័រវិង 10		1				
006	136410-6	ANVIL E ASSY		1				
D10		INC. 5						
007	327804-8	HAMMER		1				
008	216001-0	ប្លឺដែក 3.5		33				
009	267340-1	កាក់ស័ប៊ែត 32		1				
010	232708-0	COMPRESSION SPRING 34		1				
011	216007-8	ប្លឺដែក 6.4		2				
012	227891-6	SPUR GEAR 28		3				
013	327805-6	SPINDLE		1				
014	256211-7	កន្លាស់ 6		3				
015	267494-4	កាក់ស័ប៊ែត 25		1	*			
015-1	267127-1	កាក់ស័ប៊ែត 26	O	1				
016	347832-7	RETAINER		1				
017	227892-4	INTERNAL SPUR GEAR 65		1				
018	213709-7	វិញ្ញាងអក្សរ O 63		1				
019	136420-3	INTERNAL GEAR CASE ASSY		1				
D10		INC. 18,20						
020	213961-7	វិញ្ញាងអក្សរ O 22		1				
021	210069-8	BALL BEARING 6900DDW		1				
022	519691-1	ROTOR ASSY		1				
D10		INC. 21,23						
023	210261-6	BALL BEARING 688LLB		1				
024	629A72-8	STATOR COMPLETE		1				
025	811F51-2	TW007G NAME PLATE		1				
026	251476-6	ប៊ូឡុងក្បាលសោកាន់ M5X35 WR		4				
027	183S74-1	HOUSING SET		1				
D10		INC. 34						
028	266326-2	វិស 4X18		7				
029	266326-2	វិស 4X18		4				
030	413602-7	REAR COVER		1				
031	620F48-8	LED CIRCUIT		1				
032	413603-5	F/R CHANGE LEVER		1				
033	140U03-9	SWITCH COMPLETE		1				
C10	424774-3	SWITCH COVER		1				
034	183S74-1	HOUSING SET		1				
D10		INC. 27						
035	8012S9-8	SWITCH LABEL		1				

Please order the parts with part number.

Print Date 1/9/2022

Model No.TW007G CORDLESS IMPACT WRENCH

មុខ ទំនិញ	លេខផ្នែក	ព័ណ៌នា	I/C	Qty	New/Old	Sales	Purch.	Note
036	424773-5	CUSHION RUBBER		2				
037	8005T5-8	XGT LOGO LABEL		1				
038	183S77-5	BATTERY HOUSING SET		1				
C10	263005-3	កន្លាស់កៅស៊ូ 6		2				
C20	252126-6	HEX. LOCK NUT M4-7		2				
D10		INC. 40						
039	632R99-1	TERMINAL UNIT		1				
040	183S77-5	BATTERY HOUSING SET		1				
C10	263005-3	កន្លាស់កៅស៊ូ 6		2				
C20	252126-6	HEX. LOCK NUT M4-7		2				
D10		INC. 38						
042	811F57-0	TW007G SERIAL NO. LABEL		1				
A01	251314-2	វិស M4X12		1				
A02	346949-3	ទំពក់		1				
A03B	821551-8	ប្រអប់ប្លាស្ទិចឧបករណ៍ភ្ជាប់ (ប្រភេទទី3)		1				
C10	453974-8	គន្លឹះ		4				
A03C	821551-8	ប្រអប់ប្លាស្ទិចឧបករណ៍ភ្ជាប់ (ប្រភេទទី3)		1				
C10	453974-8	គន្លឹះ		4				
A04B	835K85-1	INNER TRAY		1				
A04C	835K85-1	INNER TRAY		1				
A05B	8033G0-4	TW007GD201 INDICATION LABEL		1				
A06B	8033G1-2	TW007GD201 PLASTIC CASE LABEL		2				
A07B	412393-7	BATTERY COVER		1				
A07C	412393-7	BATTERY COVER		2	*			
A07-1C	412393-7	BATTERY COVER	<	1				
A08B	***DC40RA	DC40RA FAST CHARGER		1				
D10		COMPO-PARTS						
A08C	***DC40RA	DC40RA FAST CHARGER		1				
D10		COMPO-PARTS						
A09B	191B36-3	BATTERY BL4025 SET		2				
A09C	191B26-6	BATTERY BL4040 SET		2				
F01	191G67-2	EXTENSION HANDLE SET		1				

Please order the parts with part number.

Print Date 1/9/2022