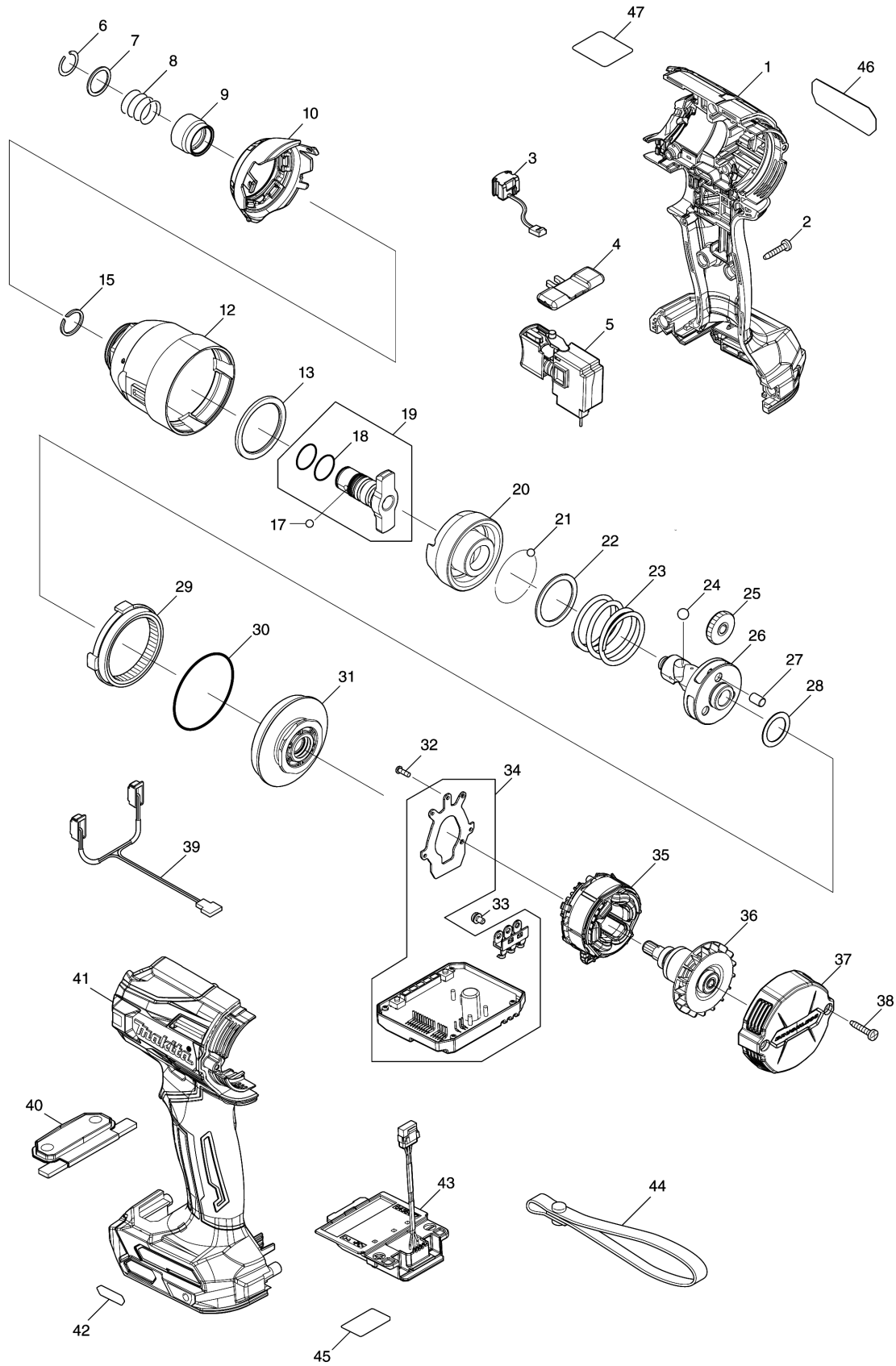


Model No.TD001G CORDLESS IMPACT DRIVER



Model No.TD001G CORDLESS IMPACT DRIVER

មុខ ទំនិញ	លេខផ្នែក	ព័ណ៌នា	I/C	Qty	New/Old	Sales	Purch.	Note
001	183P56-5	HOUSING SET		1	*			
C10	263005-3	កន្លាស់កៅស៊ូ 6		2	*			
C20	252126-6	HEX. LOCK NUT M4-7		2	*			
C30	422616-5	SPONGE SHEET		1	*			
D10		INC. 41			*			
001-1	183P56-5	HOUSING SET	O	1				
C10	263005-3	កន្លាស់កៅស៊ូ 6		2				
C20	252126-6	HEX. LOCK NUT M4-7		2				
D10		INC. 41						
002	266130-9	វិស 3X16		8				
003	632L84-8	SWITCH UNIT		1				
004	455053-8	គន្លឹះប្តូរទិសចេញ/ចូល		1				
005	651442-7	SWITCH C3JR-1A-1		1				
006	231952-6	វិសរវិង 12		1				
007	267101-9	កាកសំប៉ែត 14		1				
008	232592-3	COMPRESSION SPRING 14		1				
009	327531-7	BIT SLEEVE		1	*			
009-1	327960-4	BIT SLEEVE	O	1	*			
009-2	327959-9	BIT SLEEVE	S	1				
010	136171-8	HAMMER CASE COVER ASSY		1				
C10	422269-0	BUMPER		1				
012	140R47-1	HAMMER CASE COMPLETE		1				
C10	210177-5	BALL BEARING 68/14LLU		2				
C20	267063-1	FLAT WASHER 18		1				
C30	962113-4	ប្រៀរ (int) មូល R-24		1				
013	261160-5	NYLON WASHER 30		1				
014	232593-1	SPRING 12	S	1				
015	259075-8	RETAINING RING(EXT) WR-14		1				
017	216001-0	ឃ្នីដៃក 3.5		2				
018	213118-0	វិញ្ញាងអក្សរ O 12		2				
019	136204-9	ANVIL N ASS'Y		1	*			
D10		INC. 18			*			
019-1	136168-7	ANVIL N ASSY	S	1				
D10		INC. 18						
020	327525-2	HAMMER		1				
021	216001-0	ឃ្នីដៃក 3.5		25				
022	267342-7	កាកសំប៉ែត 26		1				
023	232591-5	COMPRESSION SPRING 25		1				
024	216013-3	ឃ្នីដៃក 6		2				
025	226960-0	SPUR GEAR 24		3	*			
025-1	227915-8	SPUR GEAR 24	<	3	*			

Model No.TD001G CORDLESS IMPACT DRIVER

មុខ ទំនិញ	លេខផ្នែក	ព័ណ៌នា	I/C	Qty	New/Old	Sales	Purch.	Note
025-2	227926-3	SPUR GEAR 24	<	3				
026	327524-4	SPINDLE		1				
027	268311-1	កន្លាស់ 5		3				
028	267194-6	FLAT WASHER 15		1				
029	226961-8	INTERNAL GEAR 56		1				
030	213892-0	O-RING 43		1				
031	140R48-9	BEARING BOX COMPLETE		1				
032	266490-9	វិស 2X6		3				
033	652069-6	វិស M3X6		3				
034	620B96-3	CONTROLLER		1				
035	629464-5	STATOR		1				
036	619605-1	ROTOR		1				
037	412339-3	REAR COVER		1				
038	266130-9	វិស 3X16		2				
039	620B97-1	LED CIRCUIT		1				
040	140R54-4	SWITCH PLATE COMPLETE		1				
C10	8011F4-1	SWITCH LABEL		1				
041	183P56-5	HOUSING SET		1	*			
C10	263005-3	កន្លាស់កៅស៊ូ 6		2	*			
C20	252126-6	HEX. LOCK NUT M4-7		2	*			
C30	422616-5	SPONGE SHEET		1	*			
D10		INC. 1			*			
041-1	183P56-5	HOUSING SET	O	1				
C10	263005-3	កន្លាស់កៅស៊ូ 6		2				
C20	252126-6	HEX. LOCK NUT M4-7		2				
D10		INC. 1						
042	8007R2-2	XGT LOGO LABEL		1				
043	632P49-4	TERMINAL UNIT		1				
045	856V15-5	TD001G SERIAL NO. LABEL		1				
046	856V08-2	TD001G NAME PLATE		1				
A01	266622-8	វិស M4X12		1				
A02	346317-0	ទំពក់		1				
A04B	412393-7	BATTERY COVER		1				
A04C	412393-7	BATTERY COVER		1				
A05B	191B36-3	BATTERY BL4025 SET		2				
A05C	191B26-6	BATTERY BL4040 SET		2				
A06B	***DC40RA	DC40RA FAST CHARGER		1				
D10		COMPO-PARTS						
A06C	***DC40RA	DC40RA FAST CHARGER		1				
D10		COMPO-PARTS						

Model No.TD001G CORDLESS IMPACT DRIVER

មុខ ទំនិញ	លេខផ្នែក	ព័ណ៌នា	I/C	Qty	New/Old	Sales	Purch.	Note
A07B	821550-0	ប្រអប់ប្លាស្ទិចឧបករណ៍ភ្ជាប់ (ប្រភេទទី2)		1				
C10	453974-8	គន្លឹះ		4				
A07C	821550-0	ប្រអប់ប្លាស្ទិចឧបករណ៍ភ្ជាប់ (ប្រភេទទី2)		1				
C10	453974-8	គន្លឹះ		4				
A08B	8011K5-4	TD001GD201 PLASTIC CASE LABEL		2				
A08C	8011L2-7	TD001GM201 PLASTIC CASE LABEL		2				
A09B	8011K4-6	TD001GD201 INDICATION LABEL		1				
A09C	8011L1-9	TD001GM201 INDICATION LABEL		1				
A10B	835F94-0	INNER TRAY		1				
A10C	835F94-0	INNER TRAY		1				

Please order the parts with part number.

Print Date 1/9/2022