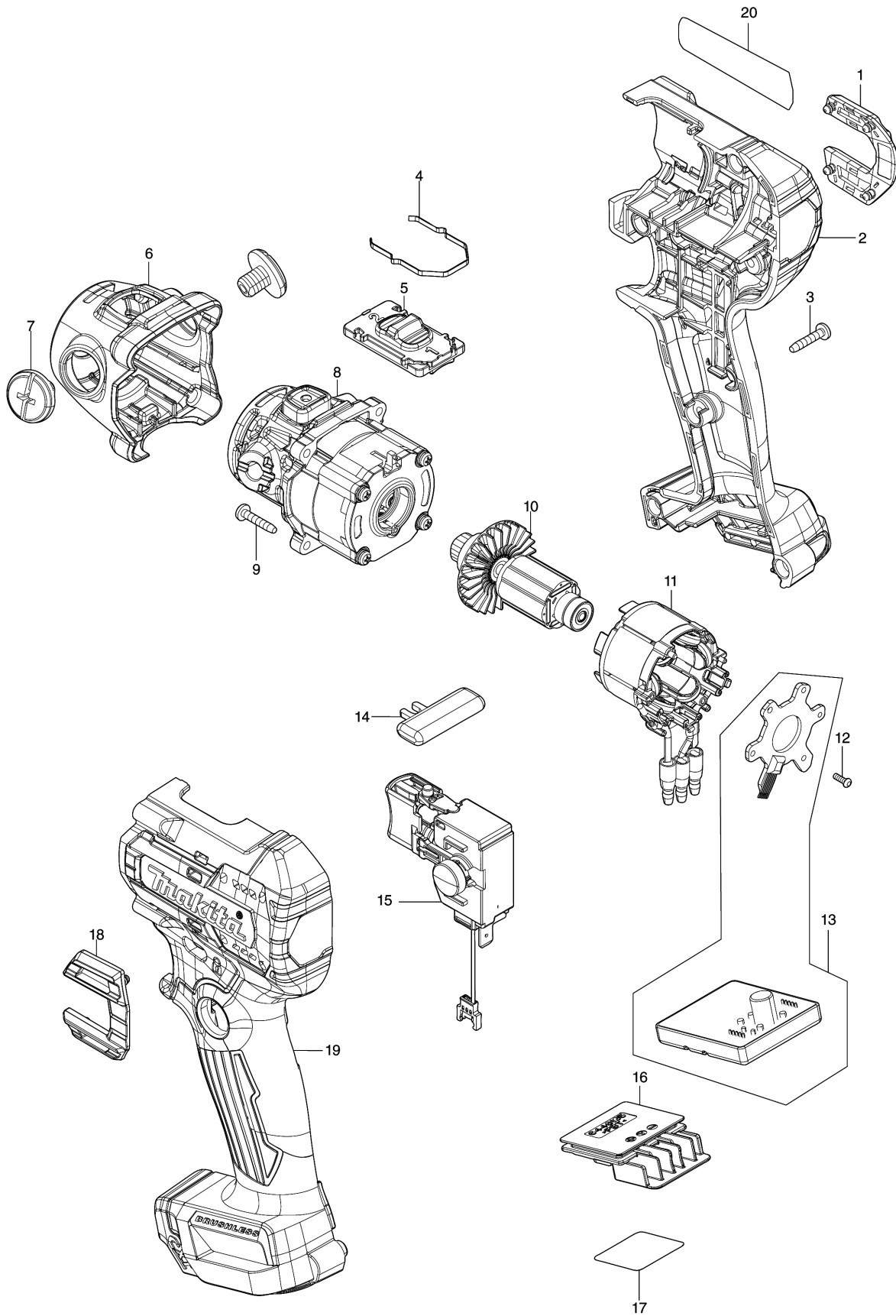


Model No.PV301D 75MM CORDLESS SANDER POLISHER





Model No.PV301D 75MM CORDLESS SANDER POLISHER

មុខ ទំនិញ	លេខផ្នែក	ព័ណ៌នា	I/C	Qty	New/Old	Sales	Purch.	Note
001	422613-1	DUST COVER		1				
002	191P13-9	HOUSING SET		1				
C10	8028C3-7	INDICATION LABEL		1				
C20	263002-9	កន្លាស់កៅស៊ូ 4		2				
D10		INC. 19						
003	266130-9	វិស 3X16		7				
004	232659-7	LEAF SPRING		1				
005	127720-2	SPEED CHANGE LEVER ASSEMBLY		1				
C10	232636-9	COMPRESSION SPRING 3		2				
006	413228-5	HEAD COVER		1				
007	413229-3	+ROUND HEAD SCREW M8X10		2				
008	127721-0	GEAR ASSEMBLY		1	*			
008-1	122D56-8	GEAR ASSEMBLY	<	1				
009	266130-9	វិស 3X16		4				
010	619663-7	ROTOR		1				
011	629A37-0	STATOR		1				
012	266490-9	វិស 2X6		3				
013	620D23-2	CONTROLLER		1				
014	412697-7	LOCK OFF BUTTON		1				
015	651489-1	SWITCH C3JW-4B-L6		1				
016	644813-5	ដូមីណូ		1				
017	858C13-1	PV301D SERIAL NO. LABEL		1				
018	422613-1	DUST COVER		1				
019	191P13-9	HOUSING SET		1				
C10	8028C3-7	INDICATION LABEL		1				
C20	263002-9	កន្លាស់កៅស៊ូ 4		2				
D10		INC. 2						
020	858C06-8	PV301D NAME PLATE		1				
A01	140X75-2	GRIP 30 COMPLETE		1				
A02	191N90-9	SPONGE PAD 80 SET		1				
A03	191N91-7	SPONGE PAD 80 SET		1				
A04	191N92-5	WOOL PAD 80 SET		1				
A05	743124-6	PAD 50		1				
A06	743125-4	PAD 75		1				
A07	743126-2	ADAPTER		1				
A08B	***DC10SB	DC10SB BATTERY CHARGER		1				
D10		COMPO-PARTS						
A09B	197393-5	ឈុតថ្នាំ BL1016		2				
A10B	456128-6	គម្របថ្នាំ		2				
A11B	831253-8	កាបូបដាក់ឧបករណ៍		1				
A15	781006-4	សោដោះប៊ូតុង 13		1				

Please order the parts with part number.

Print Date 31/8/2022

