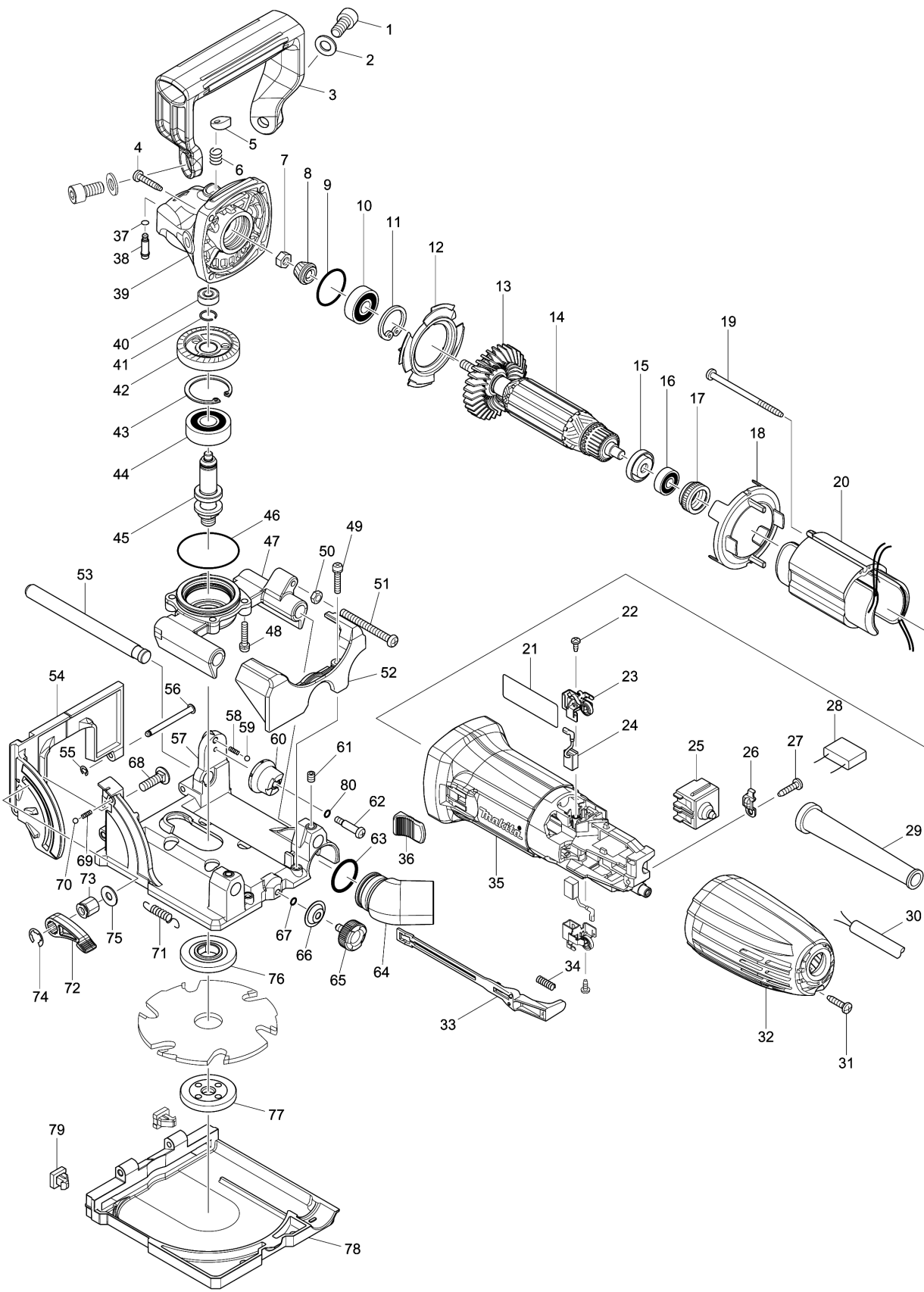


Model No.PJ7000 PLATE JOINER



Model No.PJ7000 PLATE JOINER

| មុខទំនិញ | លេខផ្នែក | ព័ណ៌នា | I/C | Qty | New/Old | Sales | Purch. | Note |
|----------|----------|------------------------------|-----|-----|---------|-------|--------|------|
| 001 | 922422-3 | HEX. SOCKET HEAD BOLT M8X16 | | 2 | | | | |
| 002 | 941202-8 | FLAT WASHER 8 | | 2 | | | | |
| 003 | 453218-6 | GRIP | | 1 | | | | |
| 004 | 266324-6 | TAPPING SCREW 4X22 | | 4 | | | | |
| 005 | 417771-6 | PIN CAP | | 1 | | | | |
| 006 | 234057-1 | COMPRESSION SPRING 8 | | 1 | | | | |
| 007 | 252186-8 | HEX. NUT M6 | | 1 | | | | |
| 008 | 227545-5 | SPIRAL BEVEL GEAR 10 | | 1 | * | | | |
| 008-1 | 227545-5 | SPIRAL BEVEL GEAR 10 | S | 1 | | | | |
| 009 | 213445-5 | O-RING 26 | | 1 | | | | |
| 010 | 211092-6 | BALL BEARING 629DDW | | 1 | | | | |
| 011 | 962105-3 | RETAINING RING R-26 | | 1 | | | | |
| 012 | 413126-3 | GUIDE PLATE | | 1 | | | | |
| 013 | 240107-2 | FAN 56 | | 1 | * | | | |
| 013-1 | 240139-9 | FAN 56 | O | 1 | | | | |
| 014 | 517648-6 | ARMATURE ASS'Y 220V | | 1 | | | | |
| D10 | | INC. 13,15,16 | | | | | | |
| 015 | 681636-0 | INSULATION WASHER | | 1 | | | | |
| 016 | 210034-7 | BALL BEARING 607LLB | | 1 | | | | |
| 017 | 421868-5 | LABYRINTH RUBBER RING 19 | | 1 | | | | |
| 018 | 450796-7 | BAFFLE PLATE | | 1 | | | | |
| 019 | 266325-4 | TAPPING SCREW 4X70 | | 2 | | | | |
| 020 | 623533-4 | FIELD 220-240V | | 1 | * | | | |
| 020-1 | 635113-4 | FIELD 220-240V | O | 1 | | | | |
| 021 | 896483-8 | PJ7000 NAME PLATE | | 1 | | | | |
| 022 | 266492-5 | TAPPING SCREW 3X8 | | 2 | | | | |
| 023 | 643839-4 | BRUSH HOLDER 6X9 | | 2 | | | | |
| 024 | 195026-6 | CARBON BRUSH SET CB-459 | | 1 | | | | |
| 025 | 650621-4 | SWITCH PS10 | | 1 | | | | |
| 026 | 687682-1 | STRAIN RELIEF | | 1 | | | | |
| 027 | 266326-2 | TAPPING SCREW 4X18 | | 1 | | | | |
| 029 | 682504-0 | CORD GUARD 10-85 | | 1 | | | | |
| 030 | 691015-4 | POWER SUPPLY CORD 0.75-2-2.5 | | 1 | | | | |
| 031 | 266326-2 | TAPPING SCREW 4X18 | | 1 | | | | |
| 032 | 450794-1 | REAR COVER | | 1 | | | | |
| 033 | 450797-5 | SWITCH LEVER | | 1 | | | | |
| 034 | 233121-5 | COMPRESSION SPRING 4 | | 1 | | | | |
| 035 | 450795-9 | MOTOR HOUSING | | 1 | | | | |
| 036 | 419566-3 | SWITCH KNOB | | 1 | | | | |
| 037 | 213032-0 | O RING 4 | | 1 | | | | |
| 038 | 256510-7 | SHOULDER PIN 4 | | 1 | | | | |
| 039 | 141327-0 | GEAR HOUSING COMPLETE | | 1 | | | | |
| C10 | 263002-9 | RUBBER PIN 4 | | 1 | | | | |
| 040 | 210033-9 | BALL BEARING 696ZZ | | 1 | | | | |
| 041 | 233950-6 | RING SPRING 11 | | 1 | | | | |

Model No.PJ7000 PLATE JOINER

| មុខ ទំនិញ | លេខផ្នែក | ព័ណ៌នា | I/C | Qty | New/Old | Sales | Purch. | Note |
|--------------|----------|-------------------------------|-----|-----|---------|-------|--------|------|
| 042 | 227546-3 | SPIRAL BEVEL GEAR 37 | | 1 | * | | | |
| 042-1 | 227546-3 | SPIRAL BEVEL GEAR 37 | S | 1 | | | | |
| 043 | 962151-6 | RETAINING RING R-32 | | 1 | | | | |
| 044 | 211129-9 | BALL BEARING 6201DDW | | 1 | | | | |
| 045 | 326120-5 | SPINDLE | | 1 | | | | |
| 046 | 213561-3 | O RING 42 | | 1 | | | | |
| 047 | 318811-2 | BEARING BOX | | 1 | | | | |
| 048 | 911136-9 | PAN HEAD SCREW M4X20 | | 4 | | | | |
| 049 | 911136-9 | PAN HEAD SCREW M4X20 | | 2 | | | | |
| 050 | 931203-4 | HEX. NUT M5 | | 1 | | | | |
| 051 | 266741-0 | PAN HEAD SCREW M5X50 | | 1 | | | | |
| 052 | 453406-5 | BASE COVER | | 1 | | | | |
| 053 | 326145-9 | ROD 10 | | 2 | | | | |
| 054 | 141247-8 | FENCE COMPLETE | | 1 | | | | |
| C10 | 890236-7 | SCALE PLATE | | 1 | | | | |
| 055 | 961017-7 | STOP RING E-3 | | 2 | | | | |
| 056 | 256689-4 | PIN 4 | | 2 | | | | |
| 057 | 318813-8 | BASE | | 1 | | | | |
| 058 | 231282-5 | COMPRESSION SPRING 2.4 | | 1 | | | | |
| 059 | 216001-0 | STEEL BALL 3.5 | | 1 | | | | |
| 060 | 318814-6 | STOPPER | | 1 | | | | |
| 061 | 266264-8 | H.S.SET SCREW(FLAT POINT)M5X6 | | 2 | | | | |
| 062 | 266738-9 | +PAN HEAD SCREW M4 | | 1 | | | | |
| 063 | 213008-7 | O RING 22.4 | | 1 | | | | |
| 064 | 415252-4 | DUST NOZZLE | | 1 | | | | |
| 065 | 265785-7 | THUMB SCREW M5X10 | | 1 | | | | |
| 066 | 232131-9 | LEAF SPRING | | 1 | | | | |
| 067 | 213023-1 | O RING 4 | | 1 | | | | |
| 068 | 266737-1 | FLAT HEAD SQ. NECK BOLT M6X20 | | 1 | | | | |
| 069 | 231282-5 | COMPRESSION SPRING 2.4 | | 1 | | | | |
| 070 | 216001-0 | STEEL BALL 3.5 | | 1 | | | | |
| 071 | 231795-6 | TENSION SPRING 8 | | 2 | | | | |
| 072 | 272263-0 | LEVER 40 | | 1 | | | | |
| 073 | 252159-1 | HEX. NUT M6 | | 1 | | | | |
| 074 | 961014-3 | STOP RING E-8 | | 1 | | | | |
| 075 | 253804-1 | FLAT WASHER 6 | | 1 | | | | |
| 076 | 224280-6 | INNER FLANGE 40 | | 1 | | | | |
| 077 | 224505-8 | LOCK NUT 10-40 | | 1 | | | | |
| 078 | 318845-5 | BLADE COVER | | 1 | | | | |
| 079 | 424479-5 | RUBBER SPIKE | | 2 | | | | |
| 080 | 213023-1 | O RING 4 | | 1 | | | | |
| A01 | 123149-0 | ANGLE GUIDE ASSEMBLY | | 1 | | | | |
| D10 | | COMPO-PARTS | | | | | | |
| A02 | 123150-5 | DUST BAG ASSEMBLY | | 1 | | | | |
| C10 | 410602-8 | FASTENER | | 1 | | | | |

Model No.PJ7000 PLATE JOINER

| មុខ ទំនិញ | លេខផ្នែក | ព័ណ៌នា | I/C | Qty | New/Old | Sales | Purch. | Note |
|--------------|----------|---------------------------|-----|-----|---------|-------|--------|------|
| A03 | 415579-2 | SET PLATE 4 | | 1 | | | | |
| A04 | B-20644 | CUTTER 100MMX6T | | 1 | * | | | |
| A04-1 | B-20644 | CUTTER 100MMX6T | O | 1 | | | | |
| A05 | 782401-1 | LOCK NUT WRENCH 20 | | 1 | | | | |
| A06 | 821509-7 | PLASTIC CARRYING CASE | | 1 | | | | |
| C10 | 163455-1 | LATCH | | 2 | | | | |
| A07 | 890460-2 | PJ7000 PLASTIC CASE LABEL | | 2 | | | | |

Please order the parts with part number.

Print Date 27/9/2022