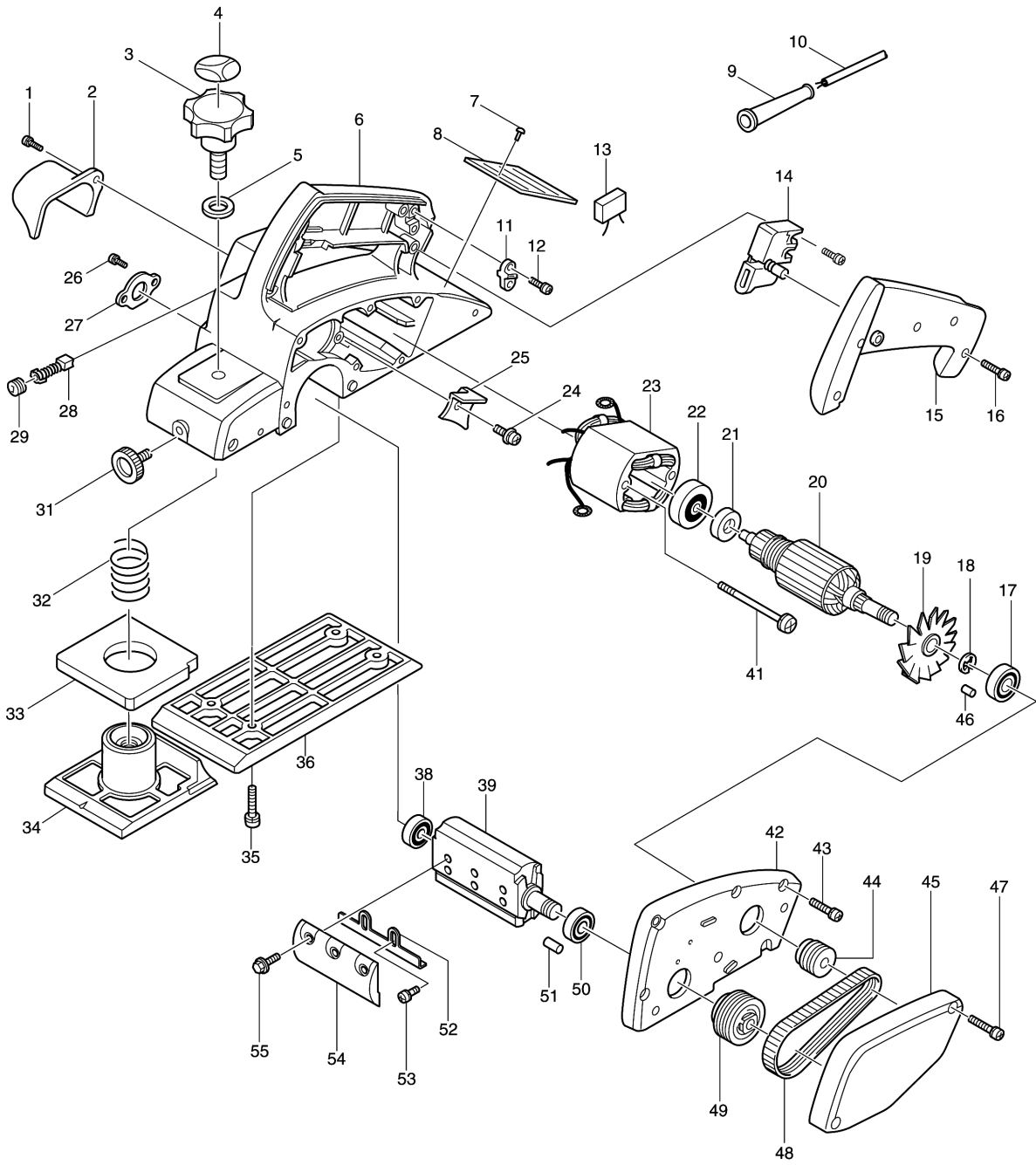


Model No.N1900B POWER PLANER 82MM





Model No.N1900B POWER PLANER 82MM

មុខ ទំនិញ	លេខផ្នែក	ព័ណ៌នា	I/C	Qty	New/Old	Sales	Purch.	Note
001	911128-8	P.H.SCREW M4X16 WITH WR		1				
002	411650-0	CHIP COVER		1				
003	271231-0	KNOB 46		1				
004	812004-8	SCALE LABEL		1				
005-1	253796-4	FLAT WASHER 10		1	*			
005-2	941251-5	FLAT WASHER 10	X	1				
006-2	159351-9	MAIN FRAME		1	*			
C10	643556-6	BRUSH HOLDER 5-8		2	*			
D10		INC. 37,40			*			
006-3	159681-8	MAIN FRAME	X	1				
C10	643556-6	BRUSH HOLDER 5-8		2				
008	811554-0	NAME PLATE 1900B		1	*			
008-1	854Y46-6	N1900B NAME PLATE	<	1				
009	682504-0	CORD GUARD 10-85		1				
010Q1	691015-4	POWER SUPPLY CORD 0.75- 2-2.5		1				
011-1	687053-2	STRAIN RELIEF		1	*			
011-2	687140-7	STRAIN RELIEF	O	1				
012-3	911133-5	PAN HEAD SCREW M4X18		2				
014	651204-3	SWITCH SGEL115CDY		1				
015	411170-4	HANDLE COVER		1				
016	911148-2	PAN HEAD SCREW M4X25		4				
017	211061-7	BALL BEARING 6000LLB		1				
018	961015-1	STOP RING E-9		1				
019-2	241510-0	FAN 52		1				
020C2	511938-9	ARMATURE ASS'Y 220V		1				
D10		INC. 17-19,21,22						
021	681614-0	INSULATION WASHER		1				
022	211028-5	BALL BEARING 627LB		1				
023C_	593118-9	FIELD ASS'Y 220V		1				
C10	654018-9	RING TERMINAL		2				
C20	654501-6	CONNECTOR P-1.25		2	*			
C21	654485-8	PARALLEL SPLICE	O	2				
024	911128-8	P.H.SCREW M4X16 WITH WR		1				
025	411153-4	AUXILIARY BAFFLE PLATE		1				
026	911111-5	PAN HEAD SCREW M4X10 WITH W		2				
027	285012-6	BEARING COVER 30		1				
028C_	181021-2	CARBON BRUSH CB-51		1	*			
028C1	B-80232	CARBON BRUSH SET CB-51A	<	1				
029	643550-8	BRUSH HOLDER CAP 5-8		2				
031	251812-6	SCREW M5X10		1				

Model No.N1900B POWER PLANER 82MM

មុខ ទំនិញ	លេខផ្នែក	ព័ណ៌នា	I/C	Qty	New/Old	Sales	Purch.	Note
032	231004-3	COMPRESSION SPRING 18		1				
033	421007-7	RUBBER PACKING		1				
034	312566-1	FRONT BASE		1	*			
034-1	316587-5	FRONT BASE	X	1	*			
034-2	318040-7	FRONT BASE	O	1	*			
034-3	318008-3	FRONT BASE	O	1				
035-1	911226-8	PAN HEAD SCREW M5X18		4				
036	312023-9	BASE		1	*			
036-1	318039-2	BASE	O	1	*			
036-2	312023-9	BASE	O	1				
038	211032-4	BALL BEARING 608ZZ		1	*			
038-1	210223-4	BALL BEARING 608ZZ	O	1				
039	161061-6	DRUM		1				
041-4	911586-8	PAN HEAD SCREW M4X60		2				
042	152196-4	BRACKET COMPLETE		1				
D10		INC. 46,51						
043	911136-9	PAN HEAD SCREW M4X20		6				
044	222008-6	V-PULLEY 4-20L		1	*			
044-1	222125-2	V-PULLEY 4-20L	O	1				
045	411019-8	BELT COVER		1				
046	263002-9	RUBBER PIN 4		1				
047	911148-2	PAN HEAD SCREW M4X25		2				
048	225007-7	POLY V-BELT 4-241		1				
049	222009-4	V-PULLEY 4-37		1	*			
049-1	222126-0	V-PULLEY 4-37	O	1				
050	211062-5	BALL BEARING 6000ZZ		1				
051	263002-9	RUBBER PIN 4		1				
052	342430-2	ADJUST PLATE		2	*			
052-1	347027-2	ADJUST PLATE	O	2				
053	251246-3	+ PAN HEAD SCREW M4X5		4				
054	345007-2	DRUM PLATE		1	*			
054-1	187679-5	DRUM PLATE SET	O	1				
055	251609-3	HEX. FLANGE HEAD BOLT M6X17		6				
400	123004-6	SHARPENING HOLDER ASS'Y		1				
C10	934301-3	WING NUT M6		2				
C20	251920-3	CAP SQUARE NECK BOLT M6X30		2				
404	911228-4	PAN HEAD SCREW M5X18		2	*			
404-1	265131-4	PAN HEAD SCREW M5X18	O	2				
405	411086-3	GAUGE PLATE		1	*			
405-1	418465-6	GAUGE PLATE	O	1				

Model No.N1900B POWER PLANER 82MM

មុខ ទំនិញ	លេខផ្នែក	ព័ណ៌នា	I/C	Qty	New/Old	Sales	Purch.	Note
406	123062-2	BLADE GAUGE ASS'Y		1	*			
D10		INC. 404,405			*			
406-1	127669-6	BLADE GAUGE ASSEMBLY	O	1	*			
D10		INC. 404,405			*			
406-2	122695-0	BLADE GAUGE ASS'Y	O	1				
D10		INC. 404,405						
410	782209-3	SOCKET WRENCH 9		1				
411C_	A-83571	PLANER BLADE 82MM		1	*			
411C1	D-16346	82MM HSS PLANER BLADE	O	1				
413	442201-8	ANTI CORROSION PAPER		1	*			
413-1	442198-1	ANTI CORROSION PAPER	O	1				
907	191455-1	GUIDE RULE SET		1				

Please order the parts with part number.

Print Date 1/9/2022