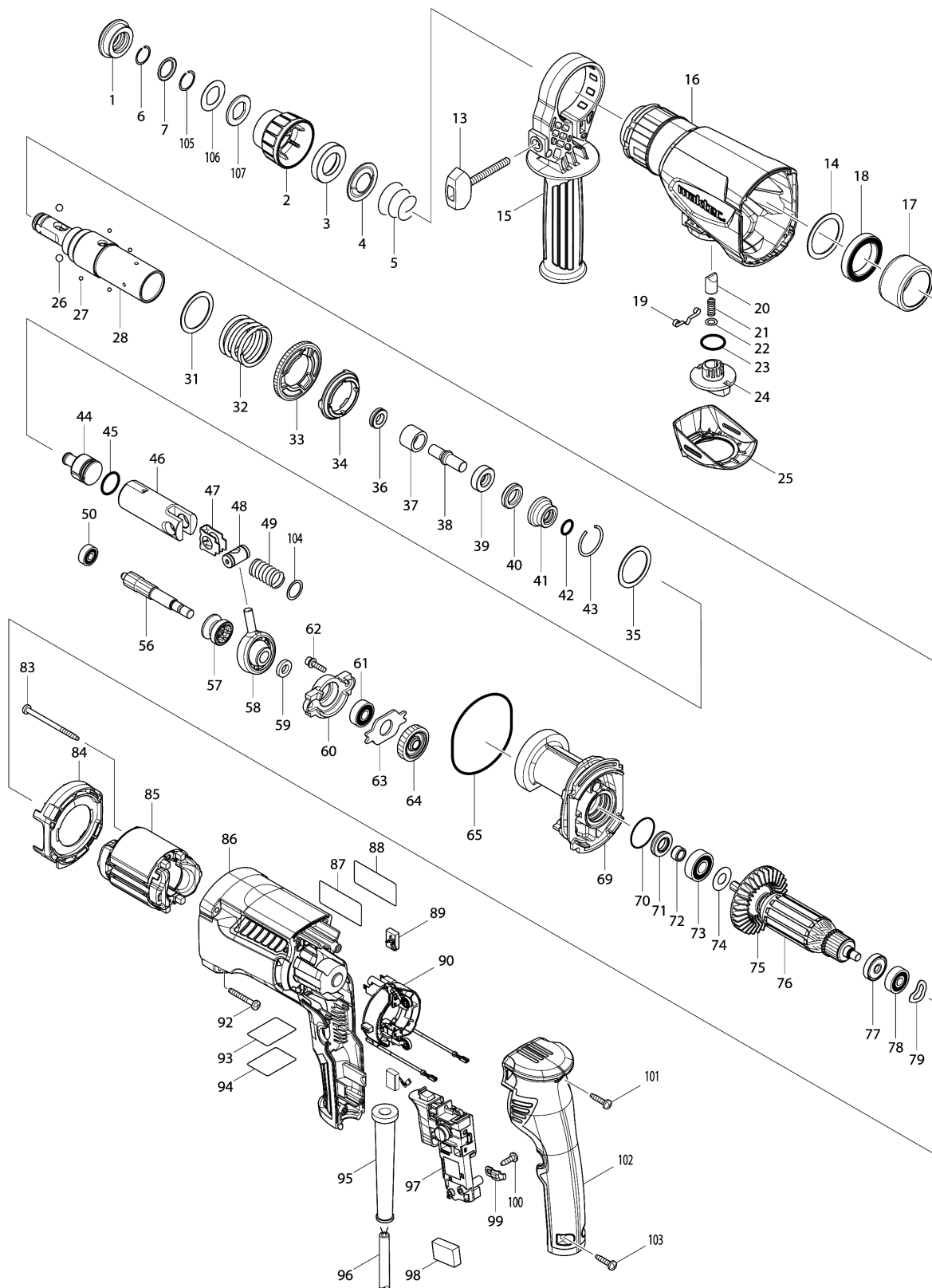


# Model No.MT870 20MM ROTARY HAMMER



Model No.MT870 20MM ROTARY HAMMER

មុខ ទំនិញ	លេខផ្នែក	ព័ណ៌នា	I/C	Qty	New/Old	Sales	Purch.	Note
001	286288-8	CAP 35		1				
002	452986-8	CHUCK COVER		1	*			
002-1	456529-8	CHUCK COVER	S	1				
003	325813-1	RING 21		1				
004	346177-0	GUIDE WASHER		1				
005	233916-6	CONICAL COMP. SPRING 21-29		1				
006	233989-9	RING SPRING 14		1				
007	346221-3	WASHER 16		1	*			
007-1	346834-0	WASHER 16	S	1				
013	265795-4	THUMB SCREW M6X52		1				
014	267415-6	FLAT WASHER 33		1				
015	452985-0	GRIP 34		1				
016	141070-1	GEAR HOUSING COMPLETE		1				
C10	213636-8	OIL SEAL 25		1				
017	346178-8	CUP SLEEVE		1				
018	211423-9	BALL BEARING 6806DDW		1				
019	232152-1	LEAF SPRING		1				
020	325785-0	PUSH CORN		1				
021	234147-0	COMPRESSION SPRING 5		1				
022	253308-3	THIN WASHER 6		1				
023	213258-4	O RING 17.5		1				
024	452983-4	CHANGE LEVER		1				
025	452982-6	CHANGE LEVER COVER		1				
026	216022-2	STEEL BALL 7.0		2				
027	216019-1	STEEL BALL 3		4				
028	141068-8	TOOL HOLDER COMPLETE		1	*			
028-1	144273-6	TOOL HOLDER COMPLETE	<	1				
031	267153-0	FLAT WASHER 30		1				
032	234222-2	COMPRESSION SPRING 31		1				
033	227268-5	SPUR GEAR 51		1				
034	313218-7	DRIVING FLANGE		1				
035	267153-0	FLAT WASHER 30		1				
036	213075-2	X-RING 9		1				
037	325782-6	SLEEVE 9A		1				
038	325789-2	IMPACT BOLT A		1				
039	325794-9	RING 10A		1				
040	424267-0	CUSHION RING 12		1				
041	325798-1	O-RING CASE A		1				
042	213073-6	O RING 9		1				
043	233979-2	RING SPRING 28		1				
044	326096-6	STRIKER		1				
045	213258-4	O RING 17.5		1				
046	310345-1	PISTON CYLINDER		1				
047	346036-8	GUIDE PLATE		1				
048	326097-4	PISTON JOINT		1	*			

Model No.MT870 20MM ROTARY HAMMER

មុខ ទំនិញ	លេខផ្នែក	ព័ណ៌នា	I/C	Qty	New/Old	Sales	Purch.	Note
048-1	324215-8	PISTON JOINT	O	1				
049	234098-7	COMPRESSION SPRING 14		1				
050	210028-2	BALL BEARING 606ZZ		1				
056	227269-3	SPUR GEAR 10		1				
057	223174-2	CLUTCH CAM		1				
058	219021-3	SWASH BEARING 10		1				
059	257321-3	RING 8		1				
060	310344-3	BEARING BOX		1				
061	210029-0	BALL BEARING 608ZZ		1				
062	266437-3	HEX. SOCKET HEAD BOLT M4X16		2				
063	285735-6	BEARING RETAINER		1				
064	227748-1	HELICAL GEAR 27		1				
065	213727-5	O-RING 63		1				
069	141664-2	INNER HOUSING COMPLETE		1				
070	213407-3	O RING 26		1				
071	213678-2	OIL SEAL 12		1				
072	262571-7	SLEEVE 8		1				
073	210067-2	BALL BEARING 6000ZZ		1				
074	267213-8	FLAT WASHER 10		1				
075	240084-8	FAN 60		1				
076	515858-9	ARMATURE ASSEMBLY 220V		1				
D10		INC. 72-75,77,78						
077	681652-2	INSULATION WASHER		1				
078	210030-5	BALL BEARING 627ZZ		1				
079	267804-5	WAVE WASHER 15		1				
083	266334-3	TAPPING SCREW 4X60		2				
084	452984-2	BAFFLE PLATE		1				
085	633793-0	FIELD 220-240V		1				
086	452979-5	MOTOR HOUSING		1				
087	896464-2	MT870 NAME PLATE		1				
088	890304-6	CLEAR LABEL		1				
089	195026-6	CARBON BRUSH SET CB-459		1				
090	638747-2	BRUSH HOLDER UNIT		1				
092	266361-0	TAPPING SCREW 4X30		4				
093	896453-7	MT870 SERIAL NO. LABEL		1				
094	890297-7	CLEAR LABEL		1				
095	682559-5	CORD GUARD 8		1				
096	691295-2	POWER SUPPLY CORD 0.75- 2-5.0		1				
097	650671-9	SWITCH TG853TB-1C		1				
098	645190-8	NOISE SUPPRESSOR		1				
099	687681-3	STRAIN RELIEF		1				
100	266385-6	TAPPING SCREW 4X14		1				
101	266326-2	TAPPING SCREW 4X18		1				
102	452981-8	HANDLE COVER		1	*			
102-1	413S72-4	HANDLE COVER	<	1				

Model No.MT870 20MM ROTARY HAMMER

មុខ ទំនិញ	លេខផ្នែក	ព័ណ៌នា	I/C	Qty	New/Old	Sales	Purch.	Note
103	266326-2	TAPPING SCREW 4X18		2				
104	267447-3	FLAT WASHER 14		1				
105	233992-0	RING SPRING 15		1				
106	267437-6	FLAT WASHER 17		1	*			
106-1	267114-0	FLAT WASHER 17	S	1				
107	424364-2	RUBBER WASHER 16		1	*			
A01	321144-6	DEPTH GAUGE		1				
A02	824997-7	PLASTIC CARRYING CASE		1				
C10	452180-2	SLIDE LATCH		2				
C20	819906-9	MAKTEC LOGO LABEL		1				
A03	890398-1	MT870 PLASTIC CASE LABEL		2				
F01	195127-0	OIL VESSEL SET		1				

Please order the parts with part number.

Print Date 27/9/2022