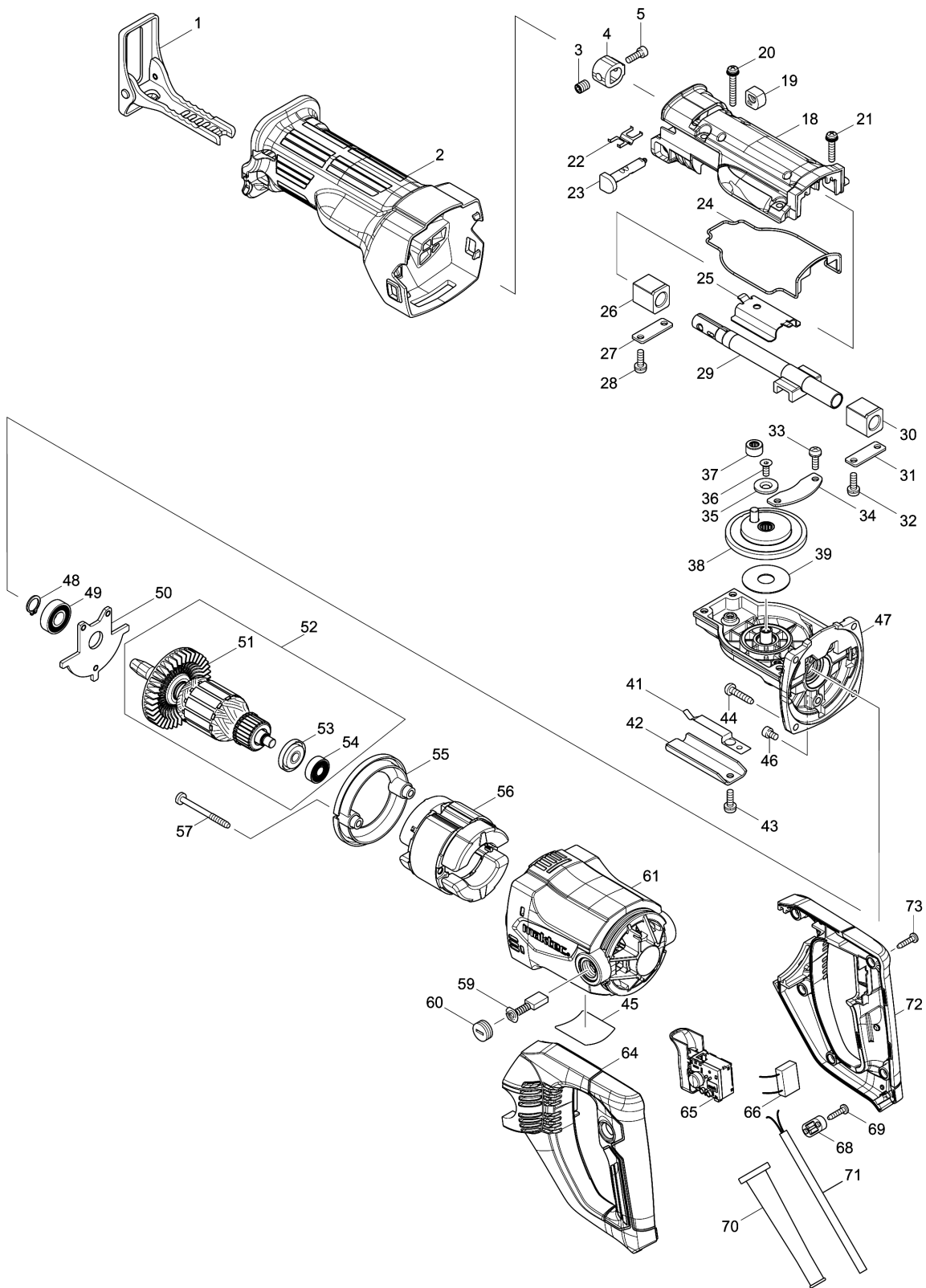


Model No.MT450 RECIPRO SAW



Model No.MT450 RECIPRO SAW

មុខ ទំនិញ	លេខផ្នែក	ព័ណ៌នា	I/C	Qty	New/Old	Sales	Purch.	Note
001	163541-8	SHOE		1				
002	424588-0	INSULATION COVER		1				
003	266202-0	H.SOCKET SET SCREW(HOLE)M8X10		1				
004	313075-3	BLADE CLAMP		1				
005	266090-5	HEX. SOCKET HEAD BOLT M5X15		1				
018	142177-6	GEAR HOUSING COVER COMPLETE		1				
C10	213151-2	OIL SEAL 14		1				
C20	213174-0	X RING 14		1				
019	418806-6	CAP		1				
020	911258-5	PAN HEAD SCREW M5X35		2				
021	911243-8	PAN HEAD SCREW M5X25		2				
022	232221-8	LEAF SPRING A		1				
023	162236-0	SHIFT BUTTON		1				
024	424586-4	SEAL RING		1				
025	346714-0	SLIDE PLATE		1				
026	214169-6	PLANE BEARING 14		1				
027	341462-6	PLATE		1				
028	911225-0	PAN HEAD SCREW M5X16		2				
029	168821-7	SLIDER		1	*			
029-1	161600-2	SLIDER	<	1				
030	214169-6	PLANE BEARING 14		1				
031	341462-6	PLATE		1				
032	911225-0	PAN HEAD SCREW M5X16		2				
033	911225-0	PAN HEAD SCREW M5X16		2				
034	346715-8	GEAR PLATE		1				
035	267475-8	FLAT WASHER 6		1				
036	251969-3	HEX. SOCKET HEAD BOLT M5X12		1				
037	212959-1	NEEDLE BEARING 708		1				
038	142176-8	GEAR COMPLETE		1				
039	267474-0	FLAT WASHER 14		1				
041	232222-6	LEAF SPRING B		1				
042	346713-2	SHOE GUIDE		1				
043	911225-0	PAN HEAD SCREW M5X16		1				
044	266459-3	TAPPING SCREW 5X25		4				
045	815C39-6	MT450 NAME PLATE		1				
046	265530-0	HEX.SOCKET HEAD BOLT M5X8		3				
047	142178-4	GEAR HOUSING COMPLETE		1				
C10	931302-2	HEX. NUT M6		1				
C20	941151-9	FLAT WASHER 6		1				
048	961052-5	RETAINING RING S-12		1				
049	210107-6	BALL BEARING 6001ZZ		1				
050	285737-2	BEARING RETAINER		1				
051	241863-7	FAN 70		1				
052	513898-1	ARMATURE ASS'Y 220V		1				

Model No.MT450 RECIPRO SAW

មុខ ទំនិញ	លេខផ្នែក	ព័ណ៌នា	I/C	Qty	New/Old	Sales	Purch.	Note
D10		INC. 51,53,54						
053	681644-1	INSULATION WASHER		1				
054	210046-0	BALL BEARING 608ZZ		1				
055	454596-7	BAFFLE PLATE		1				
056	594629-7	FIELD ASS'Y 220-240V		1				
C10	654220-4	RING TERMINAL		2	*			
C11	654449-2	RING TERMINAL	O	2				
C20	654501-6	CONNECTOR P-1.25		2	*			
C21	654485-8	PARALLEL SPLICE	>	2				
057	266418-7	TAPPING SCREW 5X55		2				
059	B-80379	CARBON BRUSH SET CB-303A		1				
060	643750-0	BRUSH HOLDER CAP 7-11		2				
061	142175-0	MOTOR HOUSING COMPLETE		1				
C10	643708-9	BRUSH HOLDER 5-11		2				
064	187717-3	HANDLE SET		1				
D10		INC. 72						
065	650714-7	SWITCH TN04-6/1BEK		1				
068	687053-2	STRAIN RELIEF		1	*			
068-1	687140-7	STRAIN RELIEF	O	1				
069	266326-2	TAPPING SCREW 4X18		2				
070	682573-1	CORD GUARD 10		1				
071	691780-5	POWER SUPPLY CORD 0.75-2-2.0		1	*			
071-1	691780-5	POWER SUPPLY CORD 0.75-2-2.0	O	1				
072	187717-3	HANDLE SET		1				
D10		INC. 64						
073	266326-2	TAPPING SCREW 4X18		5				
A01	783221-6	HEX.WRENCH 5/32"		1				
A02B	821588-5	PLASTIC CARRYING CASE		1				
C10	452180-2	SLIDE LATCH		2				
C20	819906-9	MAKTEC LOGO LABEL		1				

Please order the parts with part number.

Print Date 27/9/2022