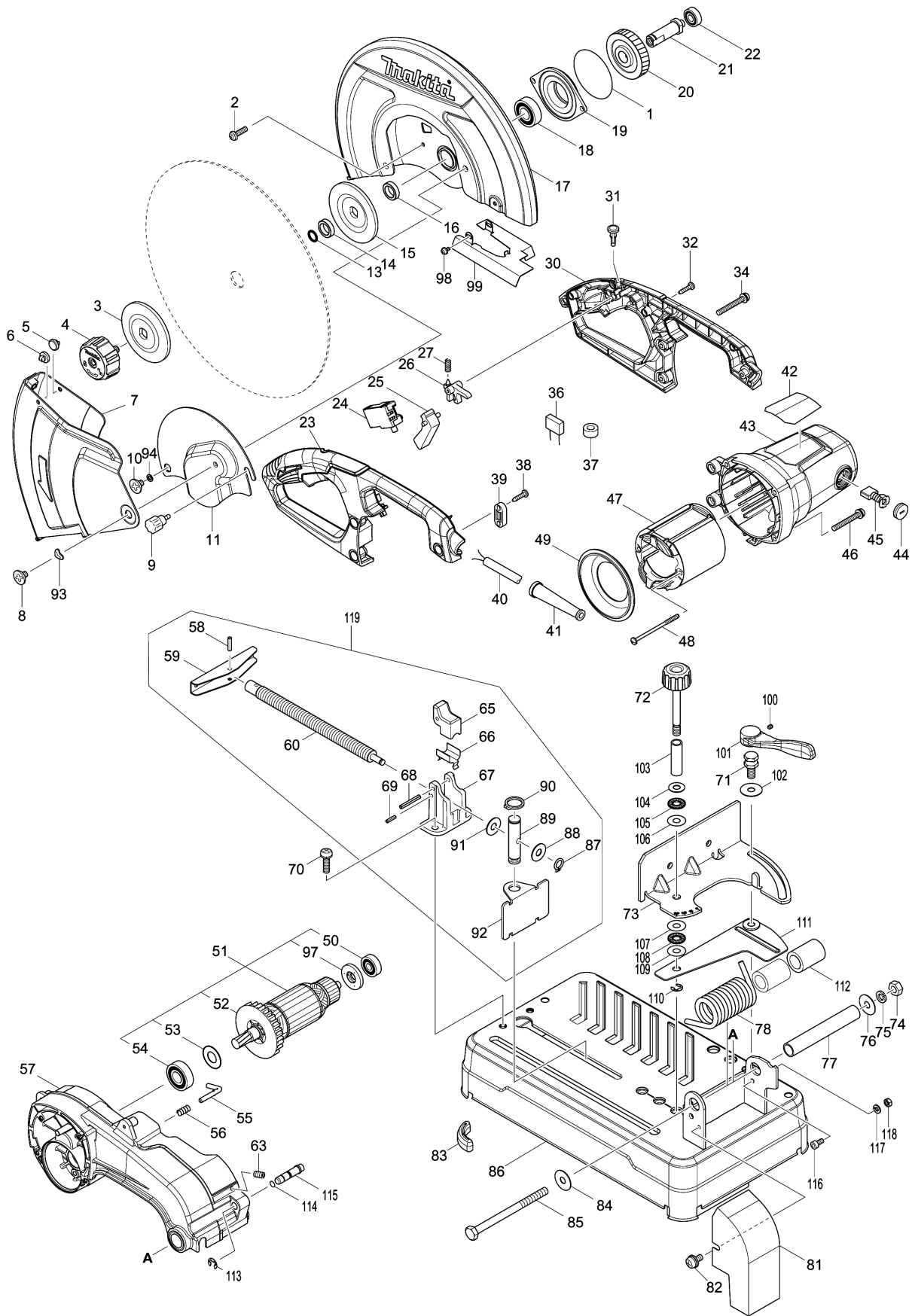


Model No.LW1400 355MM PORTABLE CUT-OFF



Model No.LW1400 355MM PORTABLE CUT-OFF

| មុខ ទំនិញ | លេខផ្នែក | ព័ណ៌នា | I/C | Qty | New/Old | Sales | Purch. | Note |
|--------------|----------|----------------------------------|-----|-----|---------|-------|--------|------|
| 001 | 213858-0 | O-RING 65 | | 1 | | | | |
| 002 | 265122-5 | PAN HEAD SCREW M5X20 | | 4 | | | | |
| 003 | 224299-5 | FLANGE 90 | | 1 | | | | |
| 004 | 123478-1 | TOOLLESSBOLT ASSEMBLY | | 1 | | | | |
| 005 | 418142-0 | PLUG | | 1 | | | | |
| 006 | 418142-0 | PLUG | | 1 | | | | |
| 007 | 161401-8 | SAFETY GUIDE | | 1 | | | | |
| 008 | 265121-7 | + FLAT HEAD SCREW M6 | | 1 | | | | |
| 009 | 251488-9 | THUMB SCREW M6X12 | | 1 | | | | |
| 010 | 265121-7 | + FLAT HEAD SCREW M6 | | 1 | | | | |
| 011 | 347095-5 | CENTER COVER | | 1 | | | | |
| 012 | 265754-8 | THUMB SCREW M6X12 | | 1 | * | | | |
| 013 | 213180-5 | O RING 14 | | 1 | | | | |
| 014 | 257255-0 | RING 17 | | 1 | | | | |
| 015 | 224299-5 | FLANGE 90 | | 1 | | | | |
| 016 | 257255-0 | RING 17 | | 1 | | | | |
| 017 | 161400-0 | SAFETY COVER | | 1 | | | | |
| 018 | 211282-1 | BALL BEARING 6203ZZ | | 1 | | | | |
| 019 | 319393-7 | BEARING BOX | | 1 | * | | | |
| 019-1 | 136029-1 | BEARING BOX ASSY | < | 1 | | | | |
| D10 | | INC. 1 | | | | | | |
| 020 | 227811-0 | HELICAL GEAR 50 | | 1 | | | | |
| 021 | 324321-9 | SPINDLE | | 1 | | | | |
| 022 | 210067-2 | BALL BEARING 6000ZZ | | 1 | * | | | |
| 022-1 | 210199-5 | BALL BEARING 6000ZZ | O | 1 | | | | |
| 023 | 183C14-3 | HANDLE SET | | 1 | | | | |
| D10 | | INC. 30 | | | | | | |
| 024 | 650716-3 | SWITCH TGC31B | | 1 | | | | |
| 025 | 418141-2 | SWITCH LEVER | | 1 | | | | |
| 026 | 418139-9 | SWITCH LOCK | | 1 | | | | |
| 027 | 231397-8 | COMPRESSION SPRING 4 | | 1 | | | | |
| 030 | 183C14-3 | HANDLE SET | | 1 | | | | |
| D10 | | INC. 23 | | | | | | |
| 031 | 411478-6 | SWITCH BUTTON | | 1 | * | | | |
| 031-1 | 417113-4 | SWITCH BUTTON | < | 1 | | | | |
| 032 | 266326-2 | TAPPING SCREW 4X18 | | 4 | | | | |
| 034 | 265104-7 | PAN HEAD SCREW M5X40 | | 3 | | | | |
| 038 | 266326-2 | TAPPING SCREW 4X18 | | 2 | | | | |
| 039 | 687140-7 | STRAIN RELIEF | | 1 | | | | |
| 040 | 691237-6 | POWER SUPPLY CORD 1.25- 2-3.0 | | 1 | | | | |
| 041 | 682574-9 | CORD GUARD 10-90 | | 1 | | | | |

Please order the parts with part number.

Print Date 1/9/2022

Model No.LW1400 355MM PORTABLE CUT-OFF

| មុខ ទំនិញ | លេខផ្នែក | ព័ណ៌នា | I/C | Qty | New/Old | Sales | Purch. | Note |
|--------------|----------|--------------------------------|-----|-----|---------|-------|--------|------|
| 042 | 851S34-8 | LW1400 NAME PLATE | | 1 | | | | |
| 043 | 143463-8 | MOTOR HOUSING COMPLETE | | 1 | | | | |
| C10 | 643712-8 | BRUSH HOLDER | | 2 | | | | |
| 044 | 643700-5 | BRUSH HOLDER CAP 7-18 | | 2 | | | | |
| 045 | B-80341 | CARBON BRUSH SET CB-203A | | 1 | | | | |
| 046 | 265104-7 | PAN HEAD SCREW M5X40 | | 4 | | | | |
| 047 | 593908-0 | FIELD ASS'Y 220V | | 1 | | | | |
| C10 | 654197-3 | RING TERMINAL | | 2 | | | | |
| C20 | 654502-4 | CONNECTOR P-2 | | 2 | | | | |
| 048 | 265A13-6 | TAPPING SCREW 5X85 | | 2 | | | | |
| 049 | 418143-8 | BAFFLE PLATE | | 1 | | | | |
| 050 | 210070-3 | BALL BEARING 6200ZZ | | 1 | | | | |
| 051 | 513463-6 | ARMATURE ASS'Y 220-240V | | 1 | | | | |
| D10 | | INC. 50,52-54,97 | | | | | | |
| 052 | 240164-0 | FAN 80 | | 1 | | | | |
| 053 | 267714-6 | WASHER 15 | | 1 | | | | |
| 054 | 211240-7 | BALL BEARING 6202ZZ | | 1 | | | | |
| 055 | 324322-7 | STOPPER | | 1 | | | | |
| 056 | 233372-0 | COMPRESSION SPRING 7 | | 1 | | | | |
| 057 | 143464-6 | GEAR HOUSING COMPLETE | | 1 | * | | | |
| C10 | 263029-9 | RUBBER PIN 6 | | 1 | * | | | |
| 057-1 | 143464-6 | GEAR HOUSING COMPLETE | S | 1 | * | | | |
| C10 | 263029-9 | RUBBER PIN 6 | | 1 | * | | | |
| 057-2 | 140G83-1 | GEAR HOUSING COMPLETE | < | 1 | * | | | |
| C10 | 263029-9 | RUBBER PIN 6 | | 1 | * | | | |
| 057-3 | 140D69-7 | GEAR HOUSING COMPLETE | O | 1 | | | | |
| C10 | 263029-9 | RUBBER PIN 6 | | 1 | | | | |
| 058 | 951163-4 | SPRING PIN 5-20 | | 1 | | | | |
| 059 | 272027-2 | HANDLE 120 | | 1 | | | | |
| 060 | 324323-5 | WISE SCREW | | 1 | * | | | |
| 060-1 | 326802-9 | WISE SCREW | O | 1 | | | | |
| 063 | 251961-9 | H.S.SET SCREW(FLAT POINT)M6X10 | | 1 | * | | | |
| 063-1 | 266321-2 | H.S.SET SCREW(FLAT POINT)M6X16 | < | 1 | | | | |
| 065 | 313114-9 | WISE NUT | | 1 | | | | |
| 066 | 345311-9 | PLATE | | 1 | | | | |
| 067 | 317662-0 | SCREW GUIDE | | 1 | | | | |
| 068 | 951175-7 | SPRING PIN 5-36 | | 1 | | | | |
| 069 | 951110-5 | SPRING PIN 4-16 | | 1 | | | | |
| 070 | 265125-9 | PAN HEAD SCREW M8X30 | | 2 | | | | |
| 071 | 266996-7 | COLLAR BOLT M10X20 | | 1 | | | | |

Model No.LW1400 355MM PORTABLE CUT-OFF

| មុខ ទំនិញ | លេខផ្នែក | ព័ណ៌នា | I/C | Qty | New/Old | Sales | Purch. | Note |
|--------------|----------|-------------------------------|-----|-----|---------|-------|--------|------|
| 072 | 271331-6 | KNOB 40 | | 1 | | | | |
| 073 | 346970-2 | GUIDE PLATE | | 1 | | | | |
| 074 | 931503-2 | HEX. NUT M10 | | 1 | * | | | |
| 074-1 | 252183-4 | HEX.NUT M10-17 | < | 1 | | | | |
| 075 | 942251-8 | SPRING WASHER 10 | | 1 | | | | |
| 076 | 253197-6 | FLAT WASHER 10 | | 1 | | | | |
| 077 | 331648-0 | PIPE 20-128 | | 1 | | | | |
| 078 | 233633-8 | TORSION SPRING 33 | | 1 | | | | |
| 081 | 161399-9 | SPARK GUARD | | 1 | | | | |
| 082 | 265144-5 | PAN HEAD SCREW M6X12 | | 1 | | | | |
| 083 | 421834-2 | CUSHION | | 3 | | | | |
| 084 | 253197-6 | FLAT WASHER 10 | | 1 | | | | |
| 085 | 265509-1 | HEX.BOLT M10X140 | | 1 | | | | |
| 086 | 161397-3 | BASE | | 1 | | | | |
| 087 | 961004-6 | RETAINING RING S-8 | | 1 | | | | |
| 088 | 267257-8 | FLAT WASHER 8 | | 1 | | | | |
| 089 | 256545-8 | PIN 16 | | 1 | | | | |
| 090 | 961056-7 | RETAINING RING S-16 | | 1 | | | | |
| 091 | 267257-8 | FLAT WASHER 8 | | 1 | | | | |
| 092 | 346636-4 | WISE PLATE | | 1 | | | | |
| 093 | 253903-9 | WAVE WASHER 6 | | 1 | | | | |
| 094 | 941152-7 | FLAT WASHER 6 | | 1 | | | | |
| 095 | 346969-7 | CENTER CAP | | 1 | * | | | |
| 097 | 681630-2 | INSULATION WASHER | | 1 | | | | |
| 098 | 911103-4 | PAN HEAD SCREW M4X6 | | 2 | | | | |
| 099 | 346971-0 | SPARK COVER | | 1 | | | | |
| 100 | 266264-8 | H.S.SET SCREW(FLAT POINT)M5X6 | | 1 | | | | |
| 101 | 272286-8 | LEVER 125 | | 1 | | | | |
| 102 | 253197-6 | FLAT WASHER 10 | | 1 | | | | |
| 103 | 257389-9 | SLEEVE 11 | | 1 | | | | |
| 104 | 253180-3 | FLAT WASHER 10 | | 1 | | | | |
| 105 | 216413-7 | THRUST NEEDLE CAGE 1024 | | 1 | | | | |
| 106 | 253353-8 | THIN WASHER 10 | | 1 | | | | |
| 107 | 253353-8 | THIN WASHER 10 | | 1 | | | | |
| 108 | 216413-7 | THRUST NEEDLE CAGE 1024 | | 1 | | | | |
| 109 | 253353-8 | THIN WASHER 10 | | 1 | | | | |
| 110 | 961014-3 | STOP RING E-8 | | 1 | | | | |
| 111 | 161402-6 | GUIDE BASE | | 1 | | | | |
| 112 | 257390-4 | SLEEVE 20 | | 2 | * | | | |
| 112-1 | 257413-8 | SLEEVE 20 | O | 2 | | | | |
| 113 | 961014-3 | STOP RING E-8 | | 1 | | | | |

Please order the parts with part number.

Print Date 1/9/2022

Model No.LW1400 355MM PORTABLE CUT-OFF

| មុខ ទំនិញ | លេខផ្នែក | ឥណ្ឌីនា | I/C | Qty | New/Old | Sales | Purch. | Note |
|--------------|----------|--------------------------------|-----|-----|---------|-------|--------|------|
| 114 | 213011-8 | O RING 7 | | 1 | | | | |
| 115 | 326624-7 | STOPPER PIN | | 1 | | | | |
| 116 | 922311-2 | HEX. SOCKET HEAD BOLT M6X12 | | 1 | * | | | |
| 116-1 | 922312-0 | HEX. SOCKET HEAD BOLT M6X12 | S | 1 | | | | |
| 117 | 942151-2 | SPRING WASHER 6 | | 1 | * | | | |
| 117-1 | 253428-3 | SPRING WASHER 6 | O | 1 | | | | |
| 118 | 931302-2 | HEX. NUT M6 | | 1 | | | | |
| 119 | 135708-8 | WISE ASS'Y | | 1 | | | | |
| D10 | | INC. 58-60,65-69,87-92 | | | | | | |
| A01 | B-10730 | CHOP SAW 355 LONG LIFE | | 1 | | | | |

Please order the parts with part number.

Print Date 1/9/2022