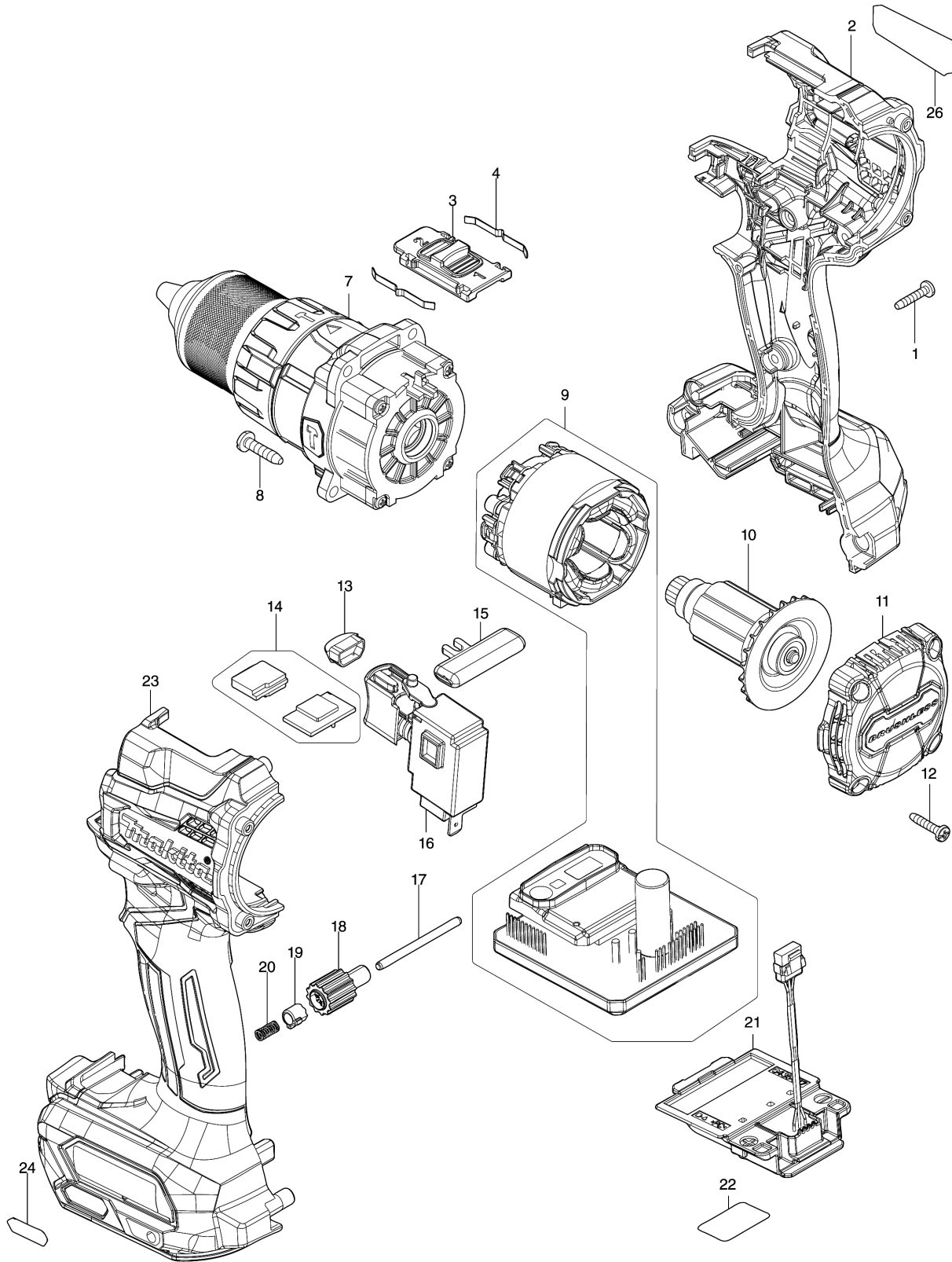


Model No.HP001G CORDLESS HAMMER DRIVER DRILL



Model No.HP001G CORDLESS HAMMER DRIVER DRILL

មុខ ទំនិញ	លេខផ្នែក	ព័ណ៌នា	I/C	Qty	New/Old	Sales	Purch.	Note
001	266130-9	វិស 3X16		7				
002	183N73-3	HOUSING SET		1	*			
C10	263005-3	កន្លាស់កៅស៊ូ 6		2	*			
C20	252126-6	HEX. LOCK NUT M4-7		2	*			
C30	422569-8	SPONGE SHEET		2	*			
D10		INC. 23			*			
002-1	183S37-7	HOUSING SET	0	1				
C10	263005-3	កន្លាស់កៅស៊ូ 6		2				
C20	252126-6	HEX. LOCK NUT M4-7		2				
C30	422569-8	SPONGE SHEET		2				
D10		INC. 23						
003	127494-5	SPEED CHANGE LEVER ASSEMBLY		1				
C10	233438-6	វិស័របង្កាប់ 4		2				
004	232220-0	សន្លឹកជន្លៀស		2				
007	136229-3	KEYLESS DRILL CHUCK ASS'Y		1	*			
007-1	136359-0	KEYLESS DRILL CHUCK ASS'Y	<	1	*			
C10	763252-1	ក្បាលចាប់ផ្តួសដោយមិន ប្រើសោរជំនួយ 13		1	*			
C20	127727-8	GEAR ASSEMBLY		1	*			
C30	251468-5	វិសក្បាលរាប M6X22		1	*			
007-2	136405-9	KEYLESS DRILL CHUCK ASS'Y	<	1				
C10	763252-1	ក្បាលចាប់ផ្តួសដោយមិន ប្រើសោរជំនួយ 13		1				
C20	122A40-5	GEAR ASSEMBLY		1				
C30	251468-5	វិសក្បាលរាប M6X22		1				
008	266326-2	វិស 4X18		4				
009	629476-8	STATOR COMPLETE		1				
C10	8009H0-8	SWITCH LABEL		1				
010	619613-2	ROTOR		1				
011	412361-0	REAR COVER		1				
012	266130-9	វិស 3X16		4				
013	620549-0	សៀគ្វី Led		1				
014	620C81-2	SENSOR CIRCUIT		1				
015	419041-9	គន្លឹះប្តូរទិសចេញ/ចូល		1				
016	651443-5	SWITCH C3JR-4B		1				
017	256949-4	ROD 3		1				
018	140R76-4	DIAL COMPLETE		1				
019	313288-6	DIAL CAM		1				
020	232597-3	COMPRESSION SPRING 3		1				
021	632P49-4	TERMINAL UNIT		1				
022	856S98-7	HP001G SERIAL NO. LABEL		1				

Model No.HP001G CORDLESS HAMMER DRIVER DRILL

មុខ ទំនិញ	លេខផ្នែក	ព័ណ៌នា	I/C	Qty	New/Old	Sales	Purch.	Note
023	183N73-3	HOUSING SET		1	*			
C10	263005-3	កន្ត្រាស់កៅស៊ូ 6		2	*			
C20	252126-6	HEX. LOCK NUT M4-7		2	*			
C30	422569-8	SPONGE SHEET		2	*			
D10		INC. 2			*			
023-1	183S37-7	HOUSING SET	O	1				
C10	263005-3	កន្ត្រាស់កៅស៊ូ 6		2				
C20	252126-6	HEX. LOCK NUT M4-7		2				
C30	422569-8	SPONGE SHEET		2				
D10		INC. 2						
024	8007R2-2	XGT LOGO LABEL		1				
026	856S91-1	HP001G NAME PLATE		1				
A01	127551-9	GRIP ASSEMBLY		1	*			
C10	140S65-5	ARM R COMPLETE		1	*			
C20	140S66-3	POLE COMPLETE		1	*			
C30	266886-4	ប៊ូឡុងក្បាលឆកោណ M8X65		1	*			
C40	319966-6	ARM L		1	*			
C50	962055-2	ប្រែរ (int) R-15		1	*			
C60	265785-7	វិសម្បូរដោយដៃ M5X10		1	*			
C70	931202-6	HEX. NUT M5		1	*			
A01-1	122D08-9	GRIP ASSEMBLY	O	1				
C10	140S65-5	ARM R COMPLETE		1				
C20	140S66-3	POLE COMPLETE		1				
C30	266886-4	ប៊ូឡុងក្បាលឆកោណ M8X65		1				
C40	319966-6	ARM L		1				
C50	962055-2	ប្រែរ (int) R-15		1				
C60	265C34-0	THUMB SCREW M5X10		1				
C70	931202-6	HEX. NUT M5		1				
A02	251314-2	វិស M4X12		2				
A03	346317-0	ទំពក់		1				
A04	784637-8	+/- BIT 2-45		2				
A05	452947-8	BIT HOLDER		1				
A06	122576-8	សំណុំដងឧបករណ៍ទប់		1				
A07B	412393-7	BATTERY COVER		1				
A08B	***DC40RA	DC40RA FAST CHARGER		1				
D10		COMPO-PARTS						
A09B	191B36-3	BATTERY BL4025 SET		2				
A10B	821551-8	ប្រអប់ស្នូលឧបករណ៍ភ្ជាប់ (ប្រភេទទី3)		1				
C10	453974-8	គន្លឹះ		4				
A11B	835F93-2	INNER TRAY		1				

Model No.HP001G CORDLESS HAMMER DRIVER DRILL

មុខ ទំនិញ	លេខផ្នែក	ព័ណ៌នា	I/C	Qty	New/Old	Sales	Purch.	Note
A12B	8010K2-4	HP001GD201 INDICATION LABEL		1				
A13B	8010K3-2	HP001GD201 PLASTIC CASE LABEL		2				

Please order the parts with part number.

Print Date 1/9/2022