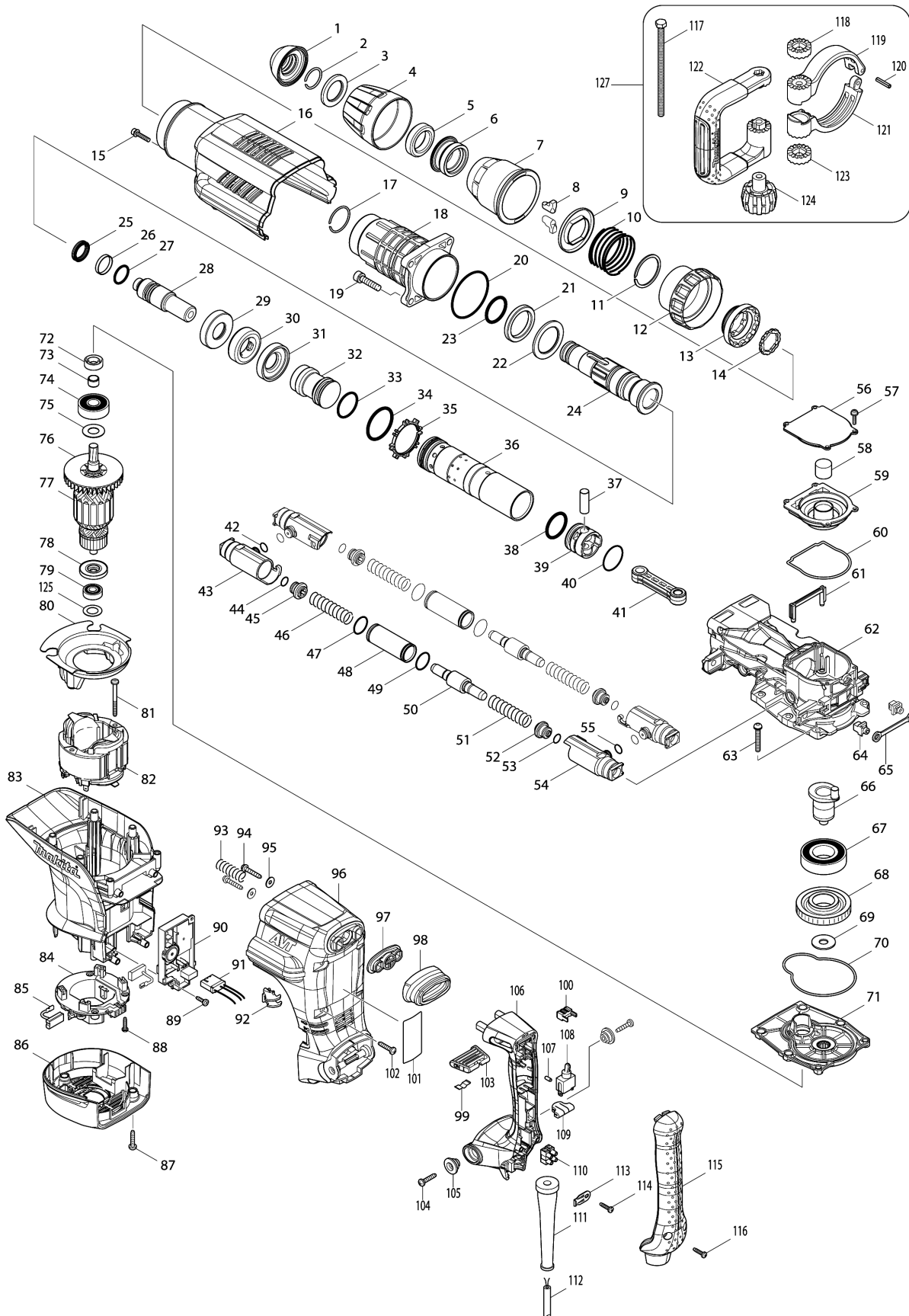


Model No.HM1213C DEMOLITION HAMMER



Model No.HM1213C DEMOLITION HAMMER

មុខ ទំនិញ	លេខផ្នែក	ព័ណ៌នា	I/C	Qty	New/Old	Sales	Purch.	Note
001	424165-8	TOOL HOLDER CAP		1				
002	233973-4	RING SPRING 26		1				
003	267386-7	FLAT WASHER 30		1				
004	450894-7	CHUCK COVER		1				
005	262147-0	RUBBER RING 30		1				
006	324987-5	CHUCK RING		1				
007	450895-5	RELEASE COVER		1				
008	310279-8	TOOL RETAINER		2				
009	346015-6	SPRING GUIDE		1				
010	234086-4	COMPRESSION SPRING 56		1				
011	961232-3	RETAINING RING WR-45		1				
012	450893-9	CHANGE RING COVER		1				
013	324969-7	CHANGE RING		1				
014	324988-3	LOCK RING		1				
015	922243-3	HEX. SOCKET HEAD BOLT M5X25		1				
016	450902-4	HOUSING COVER		1				
017	233970-0	RING SPRING 35		1				
018	158858-2	BARREL COMPLETE		1				
019	922456-6	HEX. SOCKET HEAD BOLT M8X35		4				
020	213720-9	O RING 67		1				
021	262148-8	RUBBER RING 39		1				
022	267387-5	FLAT WASHER 39		1				
023	213079-4	O-RING 35.5		1				
024	324985-9	TOOL HOLDER		1				
025	213980-3	X-RING 21		1				
026	213431-6	FLUORIDE RING 28		1				
027	213394-6	O RING 23		1				
028	324990-6	IMPACT BOLT		1				
029	324993-0	SHOULDER SLEEVE		1				
030	262149-6	RUBBER RING 24		1				
031	324993-0	SHOULDER SLEEVE		1				
032-1	326002-1	STRIKER		1				
033	213499-2	O-RING 31.5		1				
034	213581-7	O-RING 44		1				
035	450889-0	ONE WAY VALVE GUIDE		1				
036-1	331925-0	CYLINDER 40		1				
037	268121-6	PIN 12		1				
038	213499-2	O-RING 31.5		1				
039	450961-8	PISTON		1				
040	213149-9	O RING 35		1				

Please order the parts with part number.

Print Date 19/8/2022

Model No.HM1213C DEMOLITION HAMMER

មុខ ទំនិញ	លេខផ្នែក	ព័ណ៌នា	I/C	Qty	New/Old	Sales	Purch.	Note
041	450890-5	CONNECTING ROD		1				
042	213118-0	O RING 12		2				
043	318361-7	PIPE HOLDER		2				
044	213118-0	O RING 12		2				
045	419773-8	SPRING GUIDE		2				
046	234085-6	COMPRESSION SPRING 15		2				
047	213953-6	O RING 24		2				
048	331745-2	PIPE 22		2				
049	213953-6	O RING 24		2				
050	324992-2	COUNTER WEIGHT		2				
051	234085-6	COMPRESSION SPRING 15		2				
052	419773-8	SPRING GUIDE		2				
053	213118-0	O RING 12		2				
054	318361-7	PIPE HOLDER		2				
055	213118-0	O RING 12		2				
056	450899-7	CRANK CAP COVER		1				
057	911133-5	PAN HEAD SCREW M4X18		4				
058	443127-7	FILTER		1				
059	450898-9	CRANK CAP		1				
060	424166-6	SEAL RING		1				
061	450892-1	AIR PIPE		1				
062	318363-3	CRANK HOUSING		1				
063	266482-8	H.S.BUTTON HEAD SCREW M6X40		6				
064	419008-7	FIX GUIDE		2				
065	423366-5	CUSHION PLATE		1				
066	324994-8	CRANK SHAFT		1				
067	211424-7	BALL BEARING 6206LLU		1				
068	226691-1	HELICAL GEAR 57		1				
069	267398-0	FLAT WASHER 12		1				
070	424167-4	SEAL RING		1				
071	158859-0	GEAR HOUSING COMPLETE		1				
072	213231-4	OIL SEAL 15		1				
073	331596-3	SLEEVE 12		1				
074	211249-9	BALL BEARING 6302LLU		1				
075	267397-2	FLAT WASHER 15		1				
076	240003-4	FAN 80		1				
077	517818-7	ARMATURE ASS'Y 220-240V		1				
D10		INC. 73-76,78,79						
078	681642-5	INSULATION WASHER		1				
079-1	211289-7	BALL BEARING 6000DDW		1				
080	450900-8	BAFFLE PLATE		1				

Please order the parts with part number.

Print Date 19/8/2022

Model No.HM1213C DEMOLITION HAMMER

មុខ ទំនិញ	លេខផ្នែក	ព័ណ៌នា	I/C	Qty	New/Old	Sales	Purch.	Note
081	266095-5	TAPPING SCREW 5X55		2				
082	636303-2	FIELD 220-240V		1				
083	450904-0	MOTOR HOUSING		1				
084	638447-4	BRUSH HOLDER UNIT		1	*			
084-1	632D00-2	BRUSH HOLDER UNIT	<	1				
085-1	194990-8	CARBON BRUSH CB-171		1	*			
085-2	195845-0	CARBON BRUSH CB-175	<	1				
086	450901-6	REAR COVER		1				
087	266041-8	TAPPING SCREW 5X25		3				
088	265995-6	TAPPING SCREW 4X18		4				
089	266192-7	TAPPING SCREW 4X14		2	*			
089-1	266300-0	TAPPING SCREW 4X18	<	2	*			
089-2	265678-8	TAPPING SCREW 4X18	O	2				
090	631871-0	CONTROLLER		1				
091	638650-7	LEAD UNIT		1				
092	419010-0	LENS		1				
093	233434-4	COMPRESSION SPRING 11		1				
094	266173-1	TAPPING SCREW 5X30		2				
095	253807-5	FLAT WASHER 5		2				
096	450905-8	HANDLE BASE		1				
097	419783-5	DUST COVER SUPPORT		1				
098	424001-8	DUST COVER		1				
099	232209-8	LEAF SPRING		1				
100	450891-3	LEVER STOPPER		1				
101	866631-3	HM1213C NAME PLATE		1	*			
101-1	814S58-5	HM1213C NAME PLATE	<	1				
102	266041-8	TAPPING SCREW 5X25		6				
103	450896-3	SLIDE LEVER		1				
104	266041-8	TAPPING SCREW 5X25		2				
105	313124-6	SHOULDER SLEEVE 6		2	*			
105-1	450352-3	SHOULDER SLEEVE 6	O	2				
106	450906-6	HANDLE		1				
107	263027-3	RUBBER PIN 4		1				
108	651423-1	SWITCH		1	*			
108-1	651423-1	SWITCH	O	1				
109	423379-6	SPONGE SHEET		1				
110	654531-7	TERMINAL BLOCK 2P		1				
111	682560-0	CORD GUARD 10		1				
112	691025-1	POWER SUPPLY CORD 0.75- 2-5.0		1				
113	687169-3	STRAIN RELIEF		1				
114	265995-6	TAPPING SCREW 4X18		1				

Please order the parts with part number.

Print Date 19/8/2022

Model No.HM1213C DEMOLITION HAMMER

មុខ ទំនិញ	លេខផ្នែក	ព័ណ៌នា	I/C	Qty	New/Old	Sales	Purch.	Note
115	450908-2	HANDLE COVER		1				
116	265995-6	TAPPING SCREW 4X18		2				
117	265439-6	HEX. BOLT M8X150		1				
118	417002-3	SIDE HANDLE CAM		1				
119	318505-9	SIDE HANDLE BASE 82A		1				
120	951166-8	SPRING PIN 5-24		1				
121	318506-7	SIDE HANDLE BASE 82B		1				
122	417003-1	SIDE HANDLE		1				
123	417002-3	SIDE HANDLE CAM		1				
124	252640-2	WING NUT M8		1				
125	267164-5	FLAT WASHER 15		1				
127	135269-8	SIDE HANDLE 82 ASS'Y		1				
D10		INC. 117-124						
128	801Y75-0	CLEAR LABEL		1				
A01	A-80787	BULL POINT 280 SDS-MAX		1	*			
A01-1	D-34176	BULL POINT FOR SDS-MAX 300	O	1				
A02-1	194683-7	GREASE VESSEL SET		1				
A03	443122-7	CLOTH		1				
A04	824908-2	PLASTIC CASE		1				
C10	162271-8	LATCH		2				
C20	325637-5	SHAFT		1				
C30	450990-1	HANDLE		1				
A06	809280-3	HM1213C PLASTIC CASE LABEL		2	*			
A06-1	801Y53-0	HM1213C PLASTIC CASE LABEL	<	2				

Please order the parts with part number.

Print Date 19/8/2022