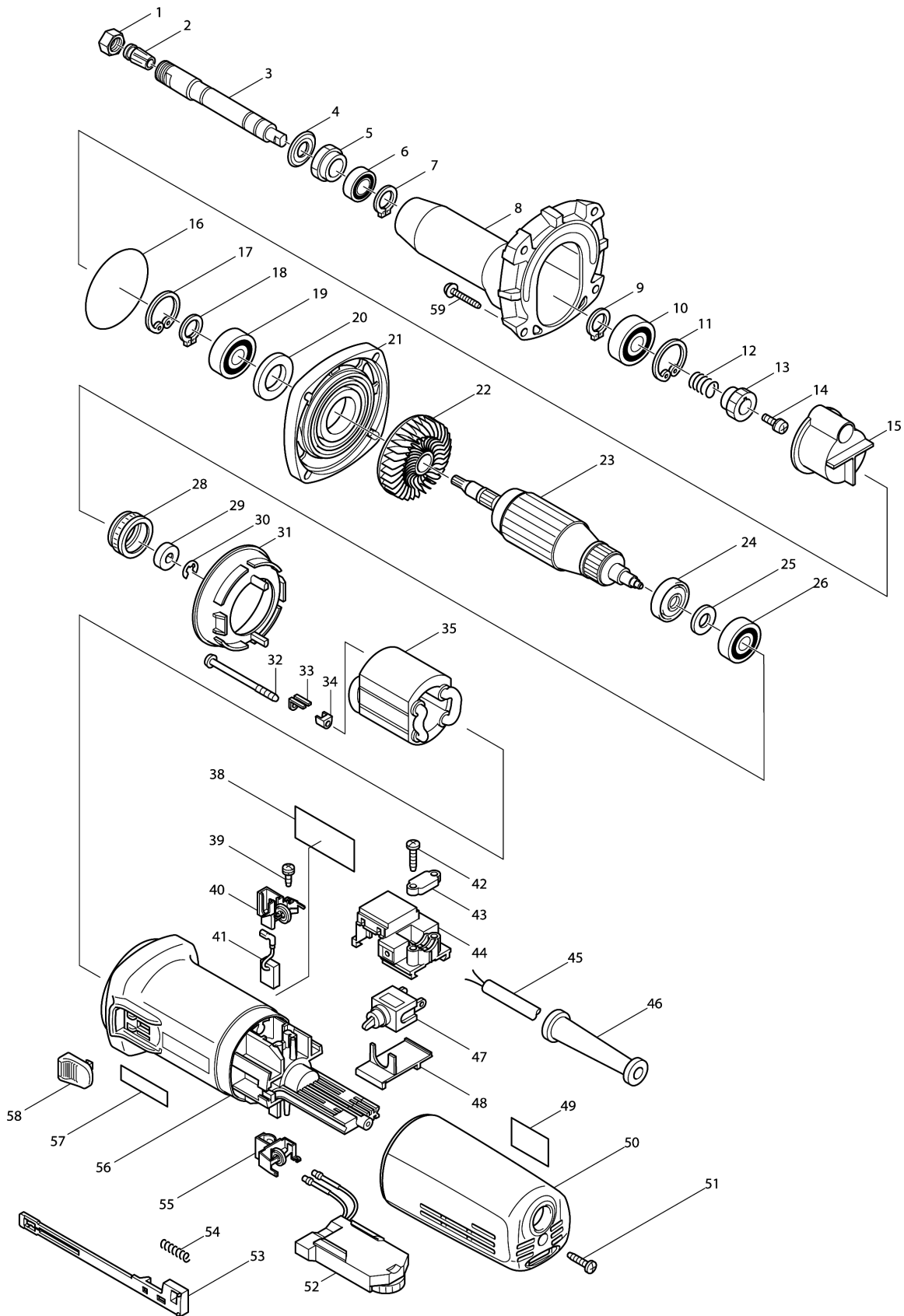


Model No.GD0810C DIE GRINDER



Model No.GD0810C DIE GRINDER

| មុខ ទំនិញ | លេខផ្នែក | ឥណ្ឌីនា | I/C | Qty | New/Old | Sales | Purch. | Note |
|--------------|----------|--------------------------|-----|-----|---------|-------|--------|------|
| 001 | 763645-2 | COLLET NUT | | 1 | | | | |
| 002A1 | 193012-1 | COLLET CONE 6 SET | | 1 | | | | |
| C10 | 763646-0 | COLLET CONE 6 | | 1 | | | | |
| D10 | | INC. 1 | | | | | | |
| 003 | 324042-3 | SPINDLE | | 1 | | | | |
| 004 | 213209-7 | OIL SEAL 16 | | 1 | | | | |
| 005 | 285700-5 | BEARING RETAINER | | 1 | | | | |
| 006 | 211141-9 | BALL BEARING 6901LLB | | 1 | | | | |
| 007 | 961052-5 | RETAINING RING S-12 | | 1 | | | | |
| 008 | 317369-8 | BARREL | | 1 | | | | |
| 009 | 961052-5 | RETAINING RING S-12 | | 1 | | | | |
| 010 | 211142-7 | BALL BEARING 6001LLB | | 1 | * | | | |
| 010-1 | 211148-5 | BALL BEARING 6001ZZ | < | 1 | | | | |
| 011 | 962106-1 | RETAINING RING R-28 | | 1 | | | | |
| 012 | 233901-9 | LOCK SPRING 12 | | 1 | | | | |
| 013 | 226531-3 | HELICAL GEAR 25 | | 1 | | | | |
| 014 | 265082-1 | PAN HEAD SCREW M4X8 | | 1 | | | | |
| 015 | 417363-1 | GEAR COVER | | 1 | | | | |
| 016 | 213611-4 | O RING 46 | | 1 | | | | |
| 017 | 962106-1 | RETAINING RING R-28 | | 1 | | | | |
| 018 | 961052-5 | RETAINING RING S-12 | | 1 | | | | |
| 019 | 211142-7 | BALL BEARING 6001LLB | | 1 | * | | | |
| 019-1 | 211148-5 | BALL BEARING 6001ZZ | < | 1 | | | | |
| 020 | 253084-9 | FLAT WASHER 12 | | 1 | | | | |
| 021 | 317367-2 | BEARING BOX | | 1 | | | | |
| 022 | 240036-9 | FAN 57 | | 1 | | | | |
| 023A_ | 515198-5 | ARMATURE ASS'Y 220V | | 1 | * | | | |
| D10 | | INC. 22,24-26 | | | * | | | |
| 023A1 | 515213-5 | ARMATURE ASS'Y 220V | S | 1 | | | | |
| D10 | | INC. 22,24-26 | | | | | | |
| 024 | 681656-4 | INSULATION WASHER | | 1 | | | | |
| 025 | 253823-7 | FLAT WASHER 7 | | 1 | | | | |
| 026 | 210023-2 | BALL BEARING 627DDW | | 1 | | | | |
| 028 | 421770-2 | LABYRINTH RUBBER RING 22 | | 1 | | | | |
| 029 | 688117-5 | MAGNET SLEEVE | | 1 | | | | |
| 030 | 961011-9 | STOP RING E-4 | | 1 | * | | | |
| 030-1 | 259039-2 | SELF LOCK 6 | S | 1 | | | | |
| 031 | 413076-2 | BAFFLE PLATE | | 1 | | | | |
| 032 | 266259-1 | TAPPING SCREW 4X60 | | 2 | | | | |
| 033 | 344871-8 | RETAINER | | 2 | | | | |
| 034 | 417237-6 | INSULATION COVER | | 2 | | | | |

Model No.GD0810C DIE GRINDER

| មុខ ទំនិញ | លេខផ្នែក | ព័ណ៌នា | I/C | Qty | New/Old | Sales | Purch. | Note |
|--------------|----------|------------------------------|-----|-----|---------|-------|--------|------|
| 035A_ | 626528-6 | FIELD 220V | | 1 | | | | |
| 038 | 852418-9 | NAME PLATE GD0810C | | 1 | * | | | |
| 038-1 | 814S06-4 | NAME PLATE GD0810C | < | 1 | | | | |
| 039 | 266256-7 | TAPPING SCREW PT3X10 | | 4 | | | | |
| 040-1 | 643760-7 | BRUSH HOLDER | | 1 | | | | |
| 041-1 | 191978-9 | A.C. CARBON BRUSH CB-318 | | 1 | * | | | |
| 041-2 | 194999-0 | A.C. CARBON BRUSH SET CB-318 | < | 1 | | | | |
| 042 | 265995-6 | TAPPING SCREW 4X18 | | 2 | | | | |
| 043B_ | 687053-2 | STRAIN RELIEF | | 1 | | | | |
| 044 | 632999-7 | SWITCH BLOCK | | 1 | | | | |
| 045L_ | 691015-4 | POWER SUPPLY CORD 0.75-2-2.5 | | 1 | | | | |
| 046 | 682566-8 | CORD GUARD 10 | | 1 | | | | |
| 047 | 651418-4 | SWITCH ST115A-40 | | 1 | * | | | |
| 047-1 | 651418-4 | SWITCH ST115A-40 | O | 1 | | | | |
| 048 | 687113-0 | COVER | | 1 | | | | |
| 049A_ | 816802-2 | INDICATION LABEL | | 1 | | | | |
| 050 | 417185-9 | REAR COVER | | 1 | | | | |
| 051 | 265995-6 | TAPPING SCREW 4X18 | | 1 | | | | |
| 052B_ | 631402-5 | CONTROLLER | | 1 | | | | |
| 053 | 417187-5 | SWITCH LEVER | | 1 | | | | |
| 054 | 233071-4 | COMPRESSION SPRING 4 | | 1 | | | | |
| 055A1 | 643760-7 | BRUSH HOLDER | | 1 | | | | |
| 056 | 417184-1 | MOTOR HOUSING | | 1 | * | | | |
| 056-1 | 183406-8 | MOTOR HOUSING | S | 1 | * | | | |
| D10 | | INC. 57 | | | * | | | |
| 056-2 | 417812-8 | MOTOR HOUSING | < | 1 | | | | |
| 058 | 417188-3 | SWITCH KNOB | | 1 | * | | | |
| 058-1 | 417813-6 | SWITCH KNOB | < | 1 | | | | |
| 059 | 265999-8 | TAPPING SCREW 4X25 | | 4 | | | | |
| A01 | 781203-2 | WRENCH 13 | | 1 | | | | |
| A02 | 781206-6 | WRENCH 19 | | 1 | | | | |
| A03 | 191978-9 | A.C. CARBON BRUSH CB-318 | | 2 | * | | | |
| A03-1 | 194999-0 | A.C. CARBON BRUSH SET CB-318 | < | 2 | * | | | |
| A04 | 192985-5 | SIDE HANDLE SET | | 1 | | | | |
| C10 | 152521-9 | GRIP 36 COMPLETE | | 1 | * | | | |
| C11 | 153503-4 | GRIP 36 COMPLETE | O | 1 | | | | |
| C20 | 415485-1 | GRIP BASE | | 1 | | | | |
| C30 | 921919-9 | HEX. BOLT M8X110 | | 1 | | | | |

Please order the parts with part number.

Print Date 31/8/2022