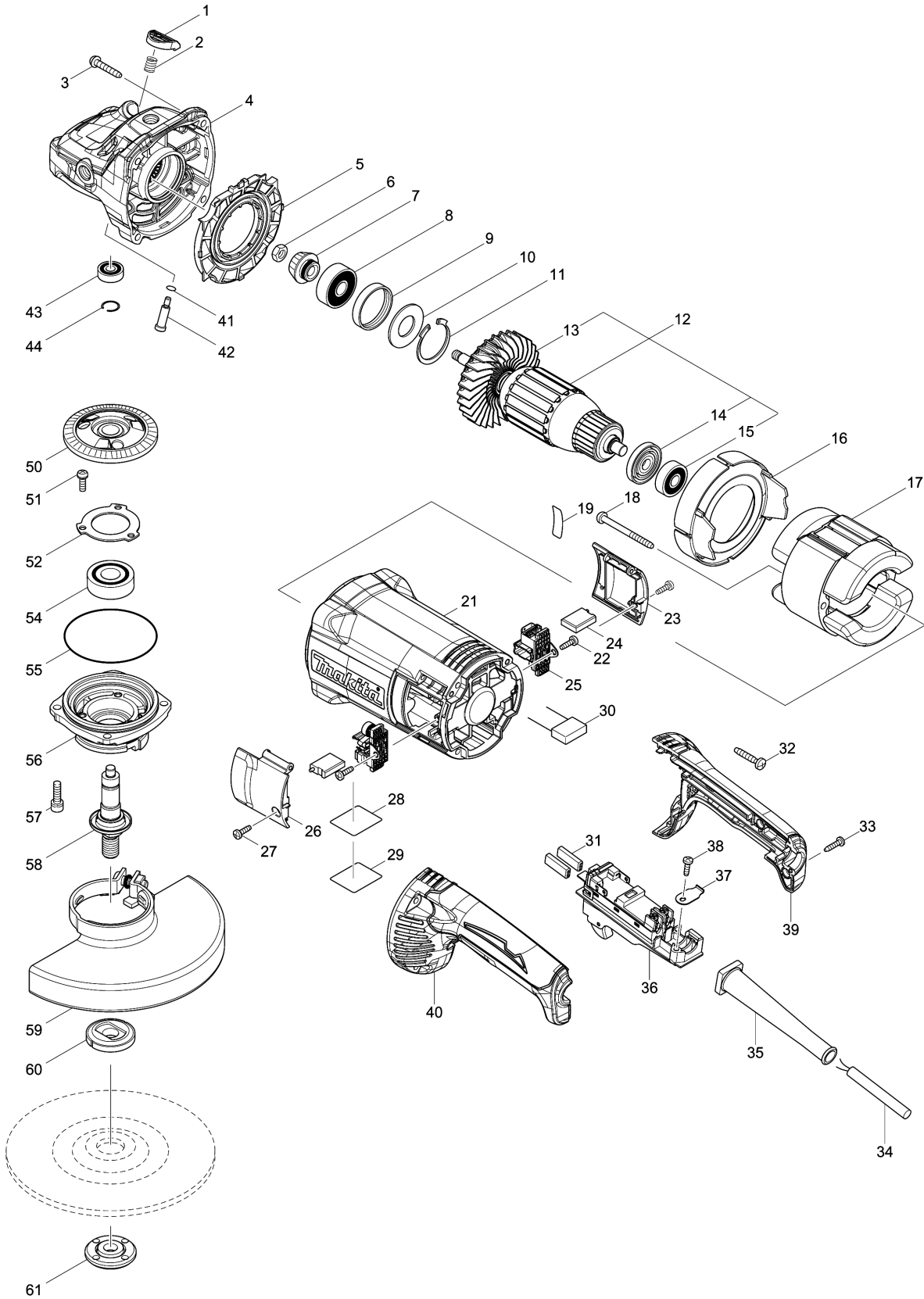


Model No.GA7060 180MM ANGLE GRINDER



Model No.GA7060 180MM ANGLE GRINDER

មុខ ទំនិញ	លេខផ្នែក	ព័ណ៌នា	I/C	Qty	New/Old	Sales	Purch.	Note
001	456247-8	PIN CAP		1				
002	234391-9	COMPRESSION SPRING 8		1				
003	251489-7	TAPPING SCREW 5X30		4				
004	143485-8	GEAR HOUSING COMPLETE		1				
C10	263002-9	RUBBER PIN 4		1				
005	456238-9	DIFFUSER		1				
006	252194-9	HEX. NUT M8		1				
007	227655-8	SPIRAL BEVEL GEAR 17		1				
008	211132-0	BALL BEARING 6301DDW		1				
009	262085-6	RUBBER RING 38		1				
010	267299-2	FLAT WASHER 20		1				
011	962211-4	RETAINING RING R-42		1				
012	513448-2	ARMATURE ASS'Y 220V		1				
D10		INC. 13-15						
013	240161-6	FAN 86		1				
014	681630-2	INSULATION WASHER		1				
015	211087-9	BALL BEARING 6200DDW		1				
016	456239-7	BAFFLE PLATE		1				
017	621778-8	FIELD 220V		1				
018	266044-2	TAPPING SCREW 5X60		2				
019	851U59-4	GA7060 SERIAL NO. LABEL		1				
021	456240-2	MOTOR HOUSING		1				
022	266385-6	TAPPING SCREW 4X14		2				
023	143950-7	BRUSH HOLDER COVER R COMPLETE		1	*			
023-1	456246-0	BRUSH HOLDER COVER R	>	1				
024	197128-4	CARBON BRUSH CB-218		1				
025	643714-4	BRUSH HOLDER		2	*			
025-1	643715-2	BRUSH HOLDER	<	2				
026	143949-2	BRUSH HOLDER COVER L COMPLETE		1	*			
026-1	456245-2	BRUSH HOLDER COVER L	>	1				
027	266385-6	TAPPING SCREW 4X14		2				
028	851U55-2	GA7060 NAME PLATE		1				
029	808D02-2	CLEAR LABEL		1				
031	686036-9	RECEPTACLE SLEEVE		2				
032	251489-7	TAPPING SCREW 5X30		4				
033	266326-2	TAPPING SCREW 4X18		2				
034	691216-4	POWER SUPPLY CORD 1.25- 2-2.5		1				
035	682573-1	CORD GUARD 10		1				
036	632F74-5	SWITCH UNIT		1				
037	687678-2	STRAIN RELIEF		1				

Model No.GA7060 180MM ANGLE GRINDER

មុខ ទំនិញ	លេខផ្នែក	ព័ណ៌នា	I/C	Qty	New/Old	Sales	Purch.	Note
038	266385-6	TAPPING SCREW 4X14		1				
039	183C63-0	HANDLE SET		1				
D10		INC. 40						
040	183C63-0	HANDLE SET		1				
D10		INC. 39						
041	213026-5	O RING 7		1				
042	256571-7	SHOULDER PIN 7		1				
043	211032-4	BALL BEARING 608ZZ		1				
044	233925-5	RING SPRING 13		1				
050	227656-6	SPIRAL BEVEL GEAR 55		1				
051	265120-9	PAN HEAD SCREW M5X16		3				
052	285741-1	BEARING RETAINER 50		1				
054	211278-2	BALL BEARING 6203DDW		1				
055	213760-7	O RING 78		1				
056	319351-3	BEARING BOX		1				
057	265541-5	HEX. SOCKET HEAD BOLT M6X22		4				
058	143484-0	SPINDLE COMPLETE		1				
059	122889-7	WHEEL COVER 180K ASSEMBLY		1				
C10	213017-6	O RING 6		1				
C20	265198-2	+PAN HEAD SCREW M8X25		1				
060	224415-9	INNER FLANGE 42		1				
061	224485-8	LOCK NUT 14-45		1				
A01	143486-6	GRIP 37 COMPLETE		1				
A02	782407-9	LOCK NUT WRENCH 35		1	*			
A02-1	782034-2	LOCK NUT WRENCH 35	O	1				

Please order the parts with part number.

Print Date 31/8/2022