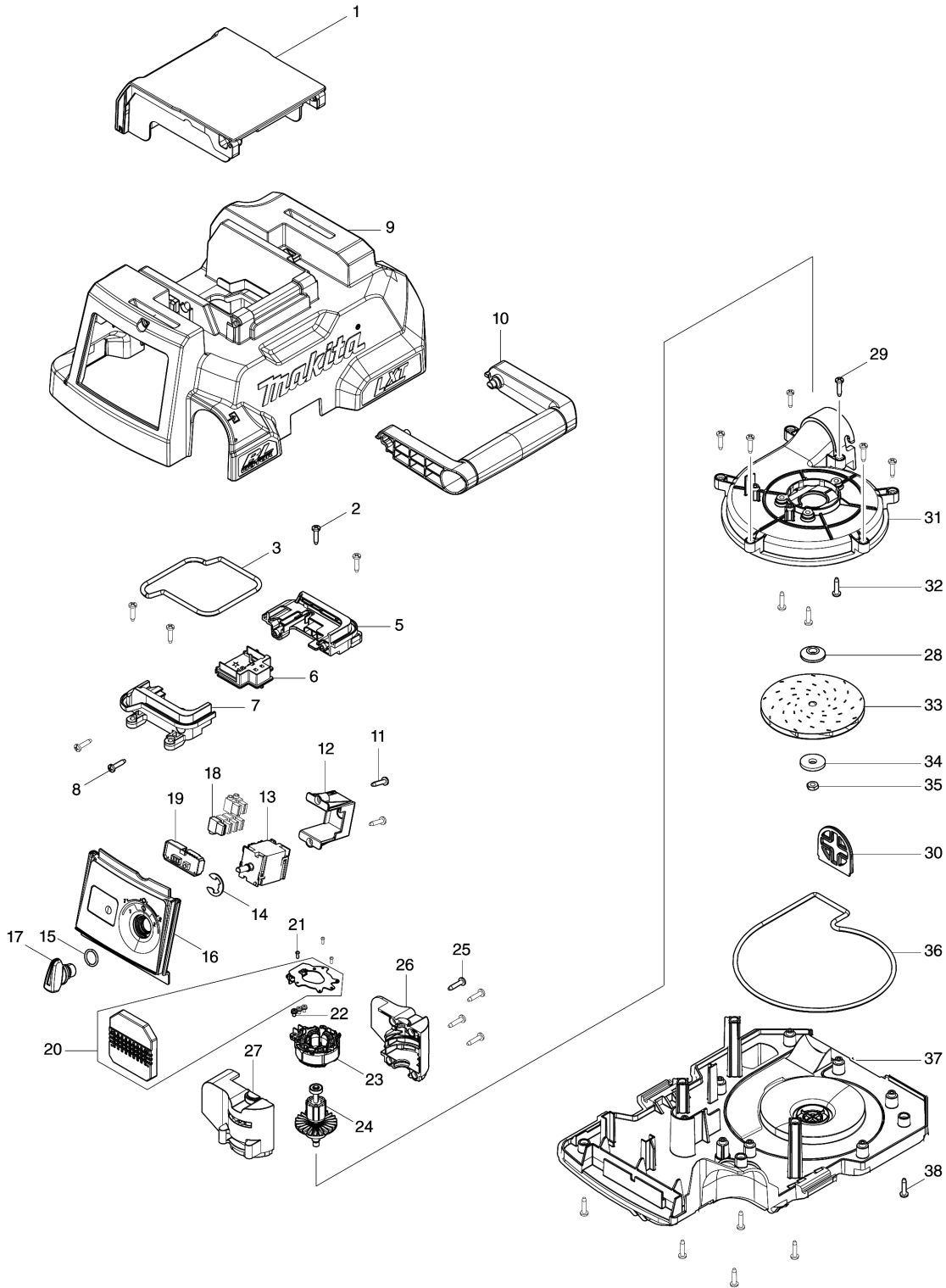
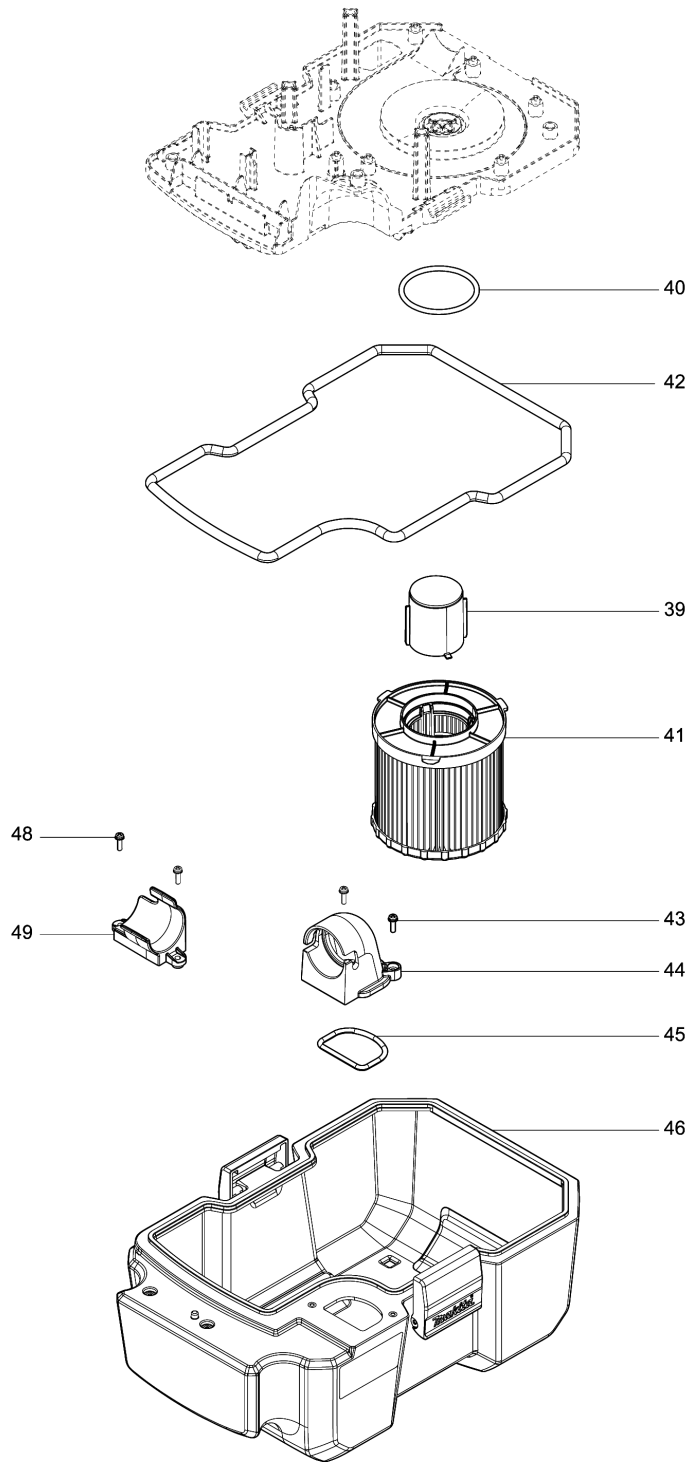


Model No.DVC750L DC PORTABLE VACUUM CLEANER



Model No.DVC750L DC PORTABLE VACUUM CLEANER



Model No.DVC750L DC PORTABLE VACUUM CLEANER

មុខ ទំនិញ	លេខផ្នែក	ព័ណ៌នា	I/C	Qty	New/Old	Sales	Purch.	Note
001	458880-2	BATTERY COVER		1				
002	266326-2	វិស 4X18		4				
003	422368-8	SEAL RING E		1				
004	855A83-9	DVC750L SERIAL NO. LABEL		1				
005	183K69-6	TERMINAL CASE SET		1				
D10		INC. 7						
006	644809-6	ដូមីណូ		1				
007	183K69-6	TERMINAL CASE SET		1				
D10		INC. 5						
008	266326-2	វិស 4X18		2				
009	140G02-7	TOP COVER COMPLETE		1				
010	458886-0	HANDLE		1				
011	266326-2	វិស 4X18		2				
012	451343-7	SWITCH HOLDER		1				
013	651382-9	SWITCH 1703.4702		1				
014	961062-2	វិញ្ញប់ (EXT) E-12		1				
015	213176-6	វិញ្ញាងអក្សរ O 14		1				
016	140G01-9	SWITCH BASE COMPLETE		1				
C10	818F81-4	INDICATION LABEL		1				
017	457857-4	SWITCH LEVER		1				
018	686023-8	បំពង់កូសខ្សែភ្លើង		6				
019	620A05-6	INDICATOR CIRCUIT		1				
020	620A04-8	CONTROLLER		1				
021	266490-9	វិស 2X6		3				
022	652069-6	វិស M3X6		3				
023	629385-1	STATOR		1				
024	619540-3	ROTOR		1	*			
024-1	619540-3	ROTOR	O	1	*			
024-2	619540-3	ROTOR	O	1				
025	266326-2	វិស 4X18		4				
026	183K70-1	MOTOR HOUSING SET		1				
D10		INC. 27						
027	183K70-1	MOTOR HOUSING SET		1				
D10		INC. 26						
028	313062-2	ដុំឧប		1				
029	266326-2	វិស 4X18		6				
030	458973-5	FAN COVER GUARD		1				
031	458883-6	FAN COVER		1				
032	266326-2	វិស 4X18		3				
033	240178-9	កង្ហារ 104		1				
034	253752-4	កាកសំប៉ែត 8		1				

Model No.DVC750L DC PORTABLE VACUUM CLEANER

មុខ ទំនិញ	លេខផ្នែក	ព័ណ៌នា	I/C	Qty	New/Old	Sales	Purch.	Note
035A	931303-0	HEX. NUT M6		1	*			
035-1A	252268-6	HEX. NUT M6	O	1				
035-1B	252268-6	HEX. NUT M6		1				
036	422366-2	SEAL RING C		1				
037-1	162641-1	TANK COVER COMPLETE		1				
C10	422450-3	SPONGE SHEET		1				
038	266326-2	វិស 4X18		6				
039	140G00-1	FLOAT COMPLETE		1	*			
039-1	140G00-1	FLOAT COMPLETE	O	1				
040	422364-6	SEAL RING A		1				
041	162518-0	FILTER COMPLETE		1				
042	422367-0	SEAL RING D		1				
043	911123-8	វិសក្បាលម្នាក់ M4X14 WR		2				
044	458888-6	INLET		1				
045	422365-4	SEAL RING B		1				
046	140G71-8	TANK COMPLETE		1				
C10	162271-8	គន្លឹះ		2				
047	855A75-8	DVC750L NAME PLATE		1				
048	911123-8	វិសក្បាលម្នាក់ M4X14 WR		2				
049	458887-8	HOSE HOOK		1				
A01	140G04-3	HOSE COMPLETE		1				
A02	458891-7	WIDE NOZZLE		1				
A03	458919-1	SASH NOZZLE		1				
A04B	162523-7	SHOULDER BELT		1				

Please order the parts with part number.

Print Date 1/9/2022