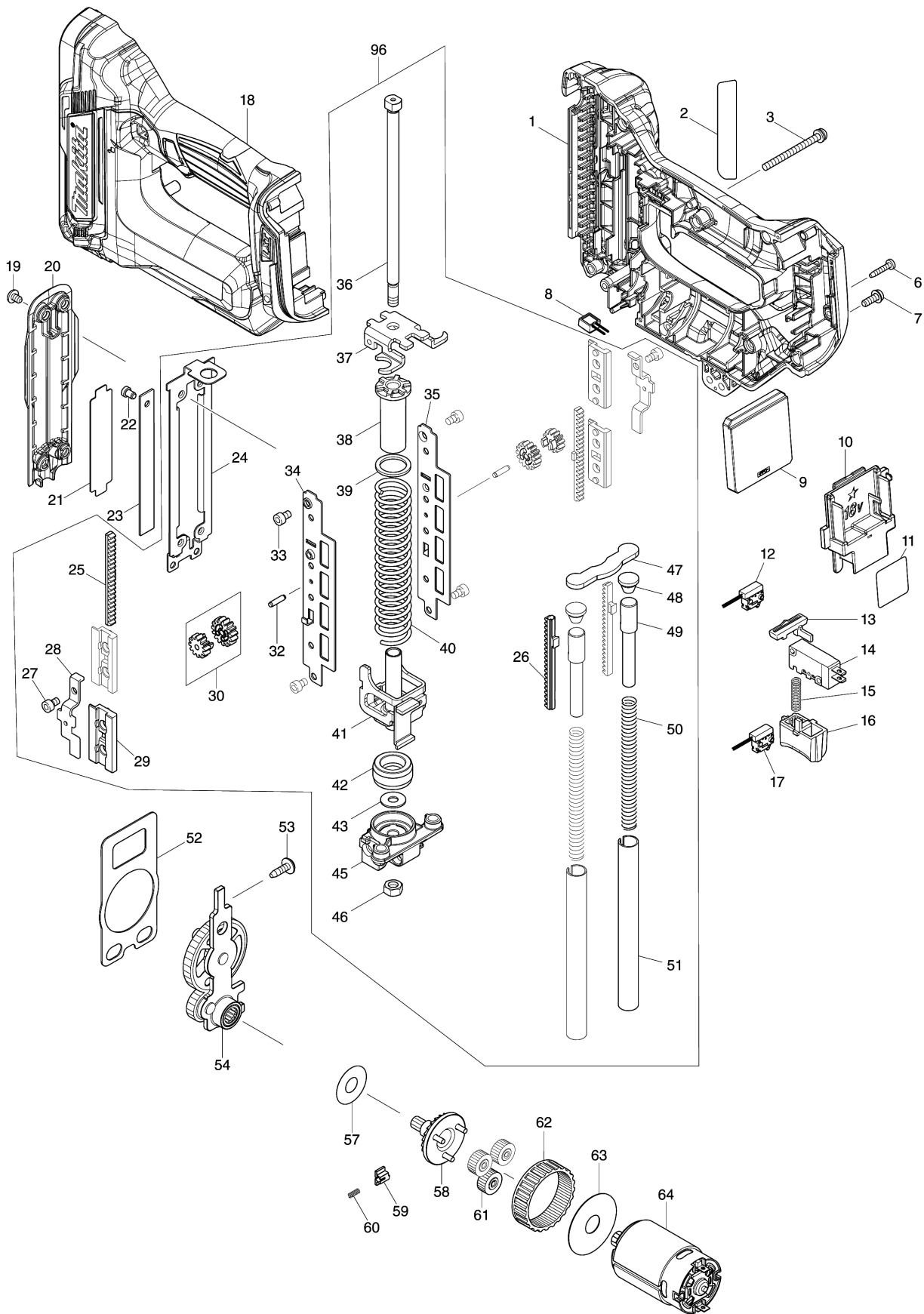
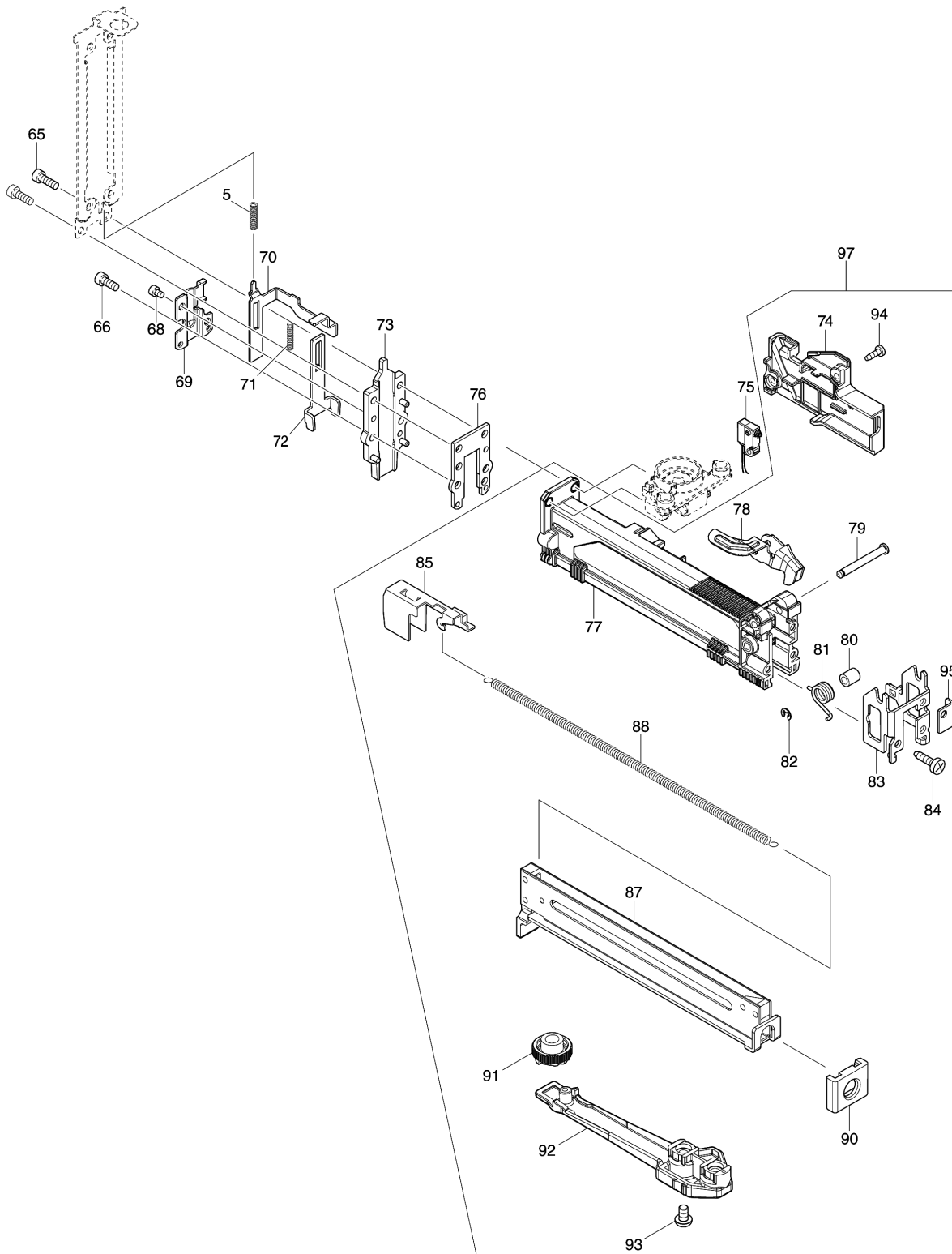


# Model No.DST121 CORDLESS STAPLER



# Model No.DST121 CORDLESS STAPLER



Model No.DST121 CORDLESS STAPLER

មុខទំនិញ	លេខផ្នែក	ព័ណ៌នា	I/C	Qty	New/Old	Sales	Purch.	Note
001	183N96-1	HOUSING SET		1				
C10	263005-3	កន្ត្រាសកៅស៊ូ 6		2				
C20	252126-6	HEX. LOCK NUT M4-7		2				
C30	931102-0	HEX. NUT M4		1				
D10		INC. 18						
002	857E80-5	DST121 NAME PLATE		1				
003	911173-3	វិសក្សាលម្អក M4X45 WR		1				
005	232608-4	COMPRESSION SPRING 4		1				
006	266130-9	វិស 3X16		8				
007	911113-1	វិសក្សាលម្អក M4X10 WR		2				
008	620507-6	សៀគ្វី Led		1				
009	632P85-0	CONTROLLER UNIT		1				
010	643874-2	ដូមីណូ		1				
011	857E83-9	DST121 SERIAL NO. LABEL		1				
012	632G60-2	សំណុំកុងតាក់		1				
013	456799-9	TRIGGER LOCK		1				
014	651910-0	កុងតាក់ D2VW-01-3HS		1				
015	232370-1	វិសរបង្កាប់ 5		1				
016	457386-7	កុងតាក់		1	*			
016-1	412772-9	TRIGGER	<	1				
017	632K06-2	សំណុំកុងតាក់		1				
018	183N96-1	HOUSING SET		1				
C10	263005-3	កន្ត្រាសកៅស៊ូ 6		2				
C20	252126-6	HEX. LOCK NUT M4-7		2				
C30	931102-0	HEX. NUT M4		1				
D10		INC. 1						
019	915101-0	វិស M4X6		4				
020	412495-9	FRONT COVER		1				
021	347528-0	UPPER PLATE		1				
022	256882-0	FLAT FILLISTER HD. PIN 4		1				
023	347715-1	DRIVER		1				
024	347683-8	RAIL		1				
025	310924-5	COUNTER WEIGHT A		2	*			
025-1	313421-0	COUNTER WEIGHT A	<	2				
026	310925-3	COUNTER WEIGHT B		2				
027	251566-5	ប៊ូឡុងក្បាលសោតាន់ M4X6 W		2				
028	347146-4	PINION GUIDE		2				
029	457390-6	COUNTER WEIGHT HOLDER		4	*			
029-1	413330-4	COUNTER WEIGHT HOLDER	O	4				
030	136104-3	SPUR GEAR ASSEMBLY		2				
032	326902-5	PINION SHAFT		2				
033	266199-3	ប៊ូឡុងក្បាលសោតាន់ M4X6		4				
034	347145-6	រចារទប់ R		1				
035	347144-8	រចារទប់ L		1				
036	326903-3	GUIDE BOLT		1				
037	347728-2	BOTTOM PLATE		1				

Model No.DST121 CORDLESS STAPLER

មុខទំនិញ	លេខផ្នែក	ព័ណ៌នា	I/C	Qty	New/Old	Sales	Purch.	Note
038	459311-4	SPRING HOLDER		1				
039	347522-2	SPRING BASE		1				
040	232511-9	COMPRESSION SPRING 17		1				
041	347735-5	HAMMER		1				
042	422457-9	CUSHION		1				
043	253804-1	កាក់សំប៉ែត 6		1				
045	319984-4	HOLDER		1				
046	252273-3	HEX. NUT M6		1				
047	347729-0	COUNTER STOPPER		1				
048	422592-3	COUNTER CUSHION		2				
049	327591-9	WEIGHT		2				
050	232630-1	COMPRESSION SPRING 7		2				
051	327592-7	GUIDE PIPE		2				
052	347525-6	GEAR PLATE		1				
053	266901-4	វិស 4X14		1				
054	140K45-3	SPUR GEAR 61 COMPLETE		1	*			
054-1	140Y96-0	SPUR GEAR 61 COMPLETE	<	1				
057	253353-8	កាក់ស្តើង 10		1				
058	140K48-7	SPUR GEAR 8 COMPLETE		1				
059	310945-7	LOCK BLOCK		1				
060	232513-5	COMPRESSION SPRING 3		1				
061	221961-3	ពីញ្ជង 27		3				
062	227166-3	ពីញ្ជងខាងក្នុង 69		1				
063	267053-4	កាក់សំប៉ែត 12		1				
064	629408-5	DC MOTOR		1				
065	922127-5	ប៊ូឡុងក្បាលសោកាន់ M4X16		2				
066	922112-8	ប៊ូឡុងក្បាលសោកាន់ M4X10		2				
068	922102-1	ប៊ូឡុងក្បាលសោកាន់ M4X6		2				
069	347685-4	CONTACT ARM GUIDE		1				
070	347682-0	CONTACT ARM		1				
071	232607-6	COMPRESSION SPRING 3		1				
072	347716-9	CONTACT TOP		1				
073	140U25-9	DRIVER GUIDE COMPLETE		1				
074	412496-7	CONTACT ARM COVER		1	*			
074-1	413K98-8	CONTACT ARM COVER	O	1				
075	632P86-8	SWITCH UNIT		1				
076	347713-5	UNDER DRIVER GUIDE		1	*			
076-1	347779-5	UNDER DRIVER GUIDE	O	1				
077	412663-4	MAIN MAGAZINE		1	*			
077-1	413L10-4	MAIN MAGAZINE	<	1				
078	347777-9	LOCK LEVER		1				
079	256956-7	PIN 4		1				
080	257502-9	បំពង់ 5		1				
081	232606-8	TORSION SPRING 8		1				
082	961017-7	វិញ្ញូទប់ (EXT) E-3		1				
083	347742-8	SUPPORTER		1				

Model No.DST121 CORDLESS STAPLER

មុខទំនិញ	លេខផ្នែក	ព័ណ៌នា	I/C	Qty	New/Old	Sales	Purch.	Note
084	266192-7	វិស 4X14		3				
085	140U84-3	PUSHER COMPLETE		1				
087	162844-7	SUB MAGAZINE		1				
088	231740-1	វិសរបន្លឹង 4		1				
090	421637-4	ចុងម៉ាស៊ីន		1				
091	412771-1	ADJUSTER		1				
092	454627-2	DEPTH GUIDE		1				
093	266868-6	H.S.BUTTON HEAD SCREW M5X8		2				
094	266007-8	វិស 3X10		2				
095	347717-7	LOCK PLATE		1				
096	136295-0	COUNTER WEIGHT ASSY		1	*			
D10		INC. 24-30,32-43,45-51			*			
096-1	136536-4	COUNTER WEIGHT ASS'Y	<	1				
D10		INC. 24-30,32-43,45-51						
097	136297-6	MAGAZINE ASSY		1	*			
D10		INC. 74,77-85,87,88,90-95			*			
097-1	136734-0	MAGAZINE ASSY	O	1	*			
D10		INC. 74,77-85,87,88,90-95			*			
097-2	136811-8	MAGAZINE ASSY	<	1				
D10		INC. 74,77-85,87,88,90-95						
A01	195246-2	ឈុតវ៉ែនភាការពារ		1	*			
A02	251314-2	វិស M4X12		1				
A03	346317-0	ទំពក់		1				
A04	422604-2	NOSE ADAPTER		1	*			
A04-1	422960-0	NOSE ADAPTER	O	1				
A06	140S88-3	PLASTIC CASE COMPLETE		1				
C10	162302-3	គ្រឿង		2				
C20	324319-6	SHAFT		1				
C30	451749-9	ដៃកាន់		1				
C40	835H54-4	INNER TRAY		1				
A07A	8015X3-3	DST121ZK PLASTIC CASE LABEL		2				
A07B	8015X4-1	DST121RFE PLASTIC CASE LABEL		2				
A08B	***DC18RC	DC18RC FAST CHARGER		1				
D10		COMPO-PARTS						
A09B	197600-6	ឈុតថ្នូ BL1830B		2				
A10B	450128-8	គម្របថ្នូ		1				

Please order the parts with part number.

Print Date 27/9/2022