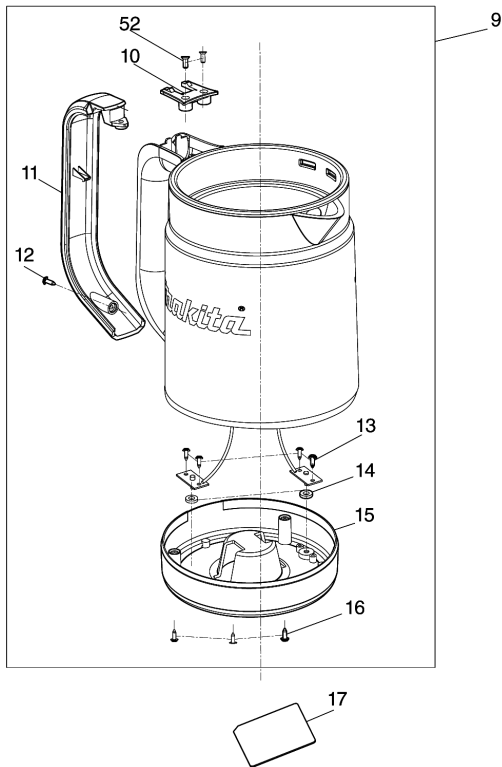
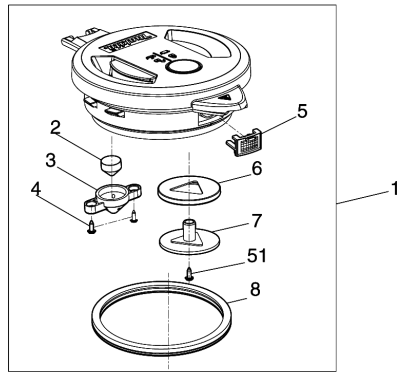
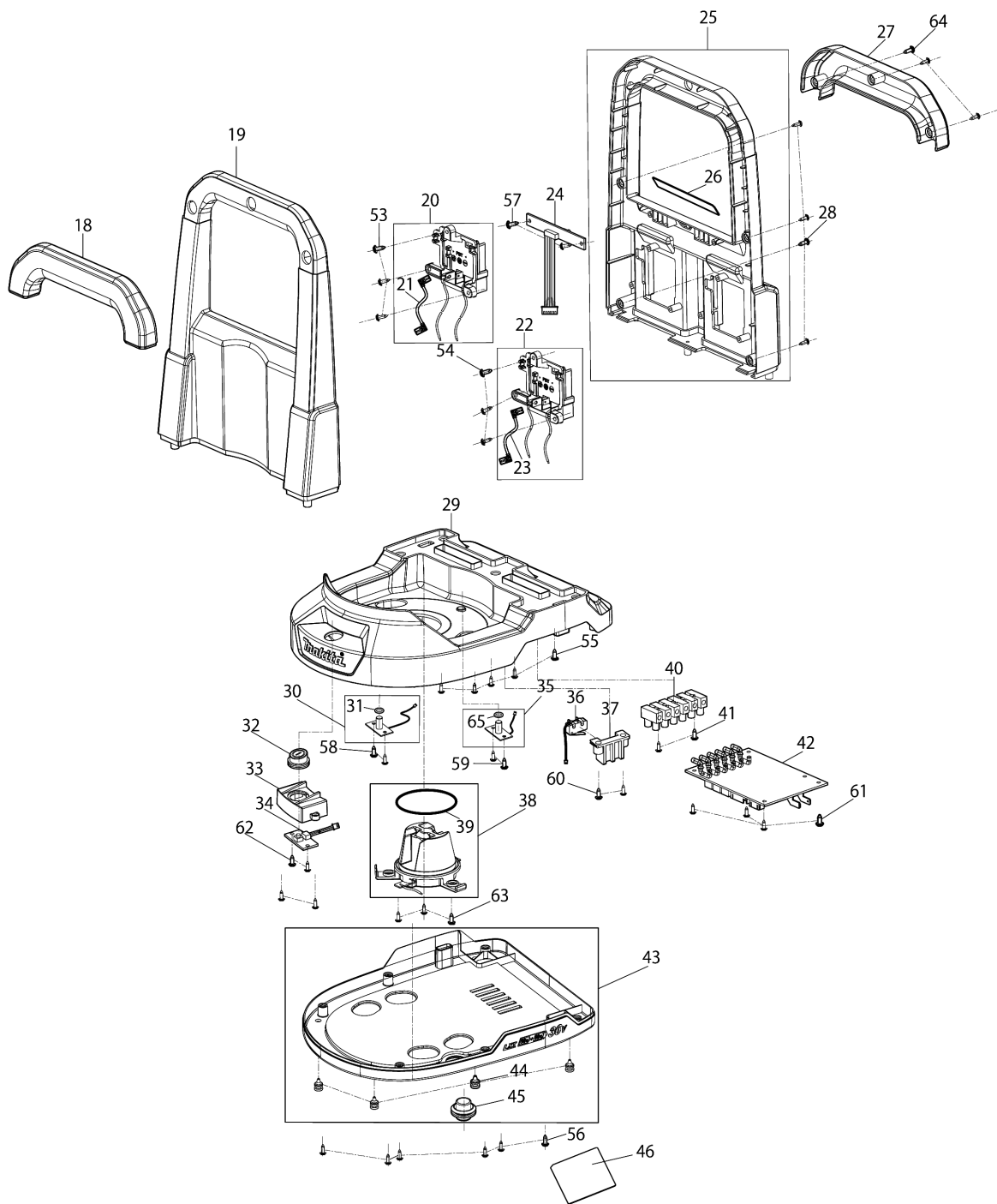


Model No.DKT360 CORDLESS KETTLE



Model No.DKT360 CORDLESS KETTLE



Model No.DKT360 CORDLESS KETTLE

មុខ ទំនិញ	លេខផ្នែក	ព័ណ៌នា	I/C	Qty	New/Old	Sales	Purch.	Note
001	KF00000076	TOP COVER ASSEMBLY(BLUE)		1				
D10		INC. 2-8,51						
002	KF00000078	PLUG		1				
003	KF00000079	PLUG COVER		1				
004	KF00000080	COUNTERSUNK SCREW ST3X12		2				
005	KF00000081	FILTER NET		1				
006	KF00000082	SILICONE OF WATER STOPPER		1				
007	KF00000083	WATER STOPPER		1				
008	KF00000084	SEAL RING OF COVER		1				
009	KF00000085	KETTLE ASSEMBLY(BLUE)		1				
D10		INC. 10-16,52						
010	KF00000087	HANDLE CLIP		1				
011	KF00000088	HANDLE COVER		1				
012	KF00000002	TAPPING SCREW ST3X12		1				
013	KF00000089	TAPPING SCREW ST3X8		4				
014	KF00000090	SEAL RING		2				
015	KF00000091	BOTTOM COVER		1				
016	KF00000092	H.L. SOCKET HEAD SCREW T10		3				
017	KF00000098	KETTLE NAME PLATE		1				
018	KF00000103	HANDLE COVER L		1				
019	KF00000104	HANDLE BASE L(BLUE)		1				
020	KF00000106	UNIVERSAL BATTERY HOLDER A		1				
D10		INC. 21						
021	KF00000107	LEAD UNIT A		1				
022	KF00000108	UNIVERSAL BATTERY HOLDER B		1				
D10		INC. 23						
023	KF00000109	LEAD UNIT B		1				
024	KF00000110	BATTERY QUANTITY DISPLAY BOARD		1				
025	KF00000111	HANDLE BASE R ASSEMBLY(BLUE)		1				
D10		INC. 26						
026	KF00000113	BATTERY-QUANTITY FILM		1				
027	KF00000114	HANDLE COVER R		1				
028	KF00000115	SCREW ST3X10		4				
029	KF00000116	BASE(BLUE)		1				
030	KF00000118	NTC BOTTOM CONTACT PAD A ASSY		1				
D10		INC. 31						
031	KF00000119	SEAL RING		1				
032	KF00000120	BUTTON		1				
033	KF00000121	PCB SWITCH SUPPORT		1				
034	KF00000122	SWITCH BOARD		1				
035	KF00000123	NTC BOTTOM CONTACT PAD B ASSY		1				
D10		INC. 65						

Model No.DKT360 CORDLESS KETTLE

មុខ ទំនិញ	លេខផ្នែក	ព័ណ៌នា	I/C	Qty	New/Old	Sales	Purch.	Note
036	KF00000124	MICRO-SWITCH ASSEMBLY		1				
037	KF00000125	MICRO-SWITCH SUPPORT		1				
038	KF00000126	COUPLER ASSEMBLY		1				
D10		INC. 39						
039	KF00000127	COUPLER BASE SEAL RING		1				
040	KF00000128	TERMINAL		1				
041	KF00000129	SCREW ST3X14		2				
042	KF00000130	MAIN PCB		1				
043	KF00000131	BASE COVER ASSEMBLY		1				
D10		INC. 44,45						
044	KF00000028	FOOT		4				
045	KF00000132	SILICONE BUTTON		1				
046	KF00000138	BASE NAMEPLATE		1				
051	KF00000080	COUNTERSUNK SCREW ST3X12		1				
052	KF00000080	COUNTERSUNK SCREW ST3X12		2				
053	KF00000002	TAPPING SCREW ST3X12		3				
054	KF00000002	TAPPING SCREW ST3X12		3				
055	KF00000002	TAPPING SCREW ST3X12		5				
056	KF00000002	TAPPING SCREW ST3X12		6				
057	KF00000089	TAPPING SCREW ST3X8		2				
058	KF00000089	TAPPING SCREW ST3X8		2				
059	KF00000089	TAPPING SCREW ST3X8		2				
060	KF00000089	TAPPING SCREW ST3X8		2				
061	KF00000089	TAPPING SCREW ST3X8		4				
062	KF00000089	TAPPING SCREW ST3X8		4				
063	KF00000089	TAPPING SCREW ST3X8		3				
064	KF00000115	SCREW ST3X10		3				
065	KF00000119	SEAL RING		1				

Please order the parts with part number.

Print Date 27/9/2022