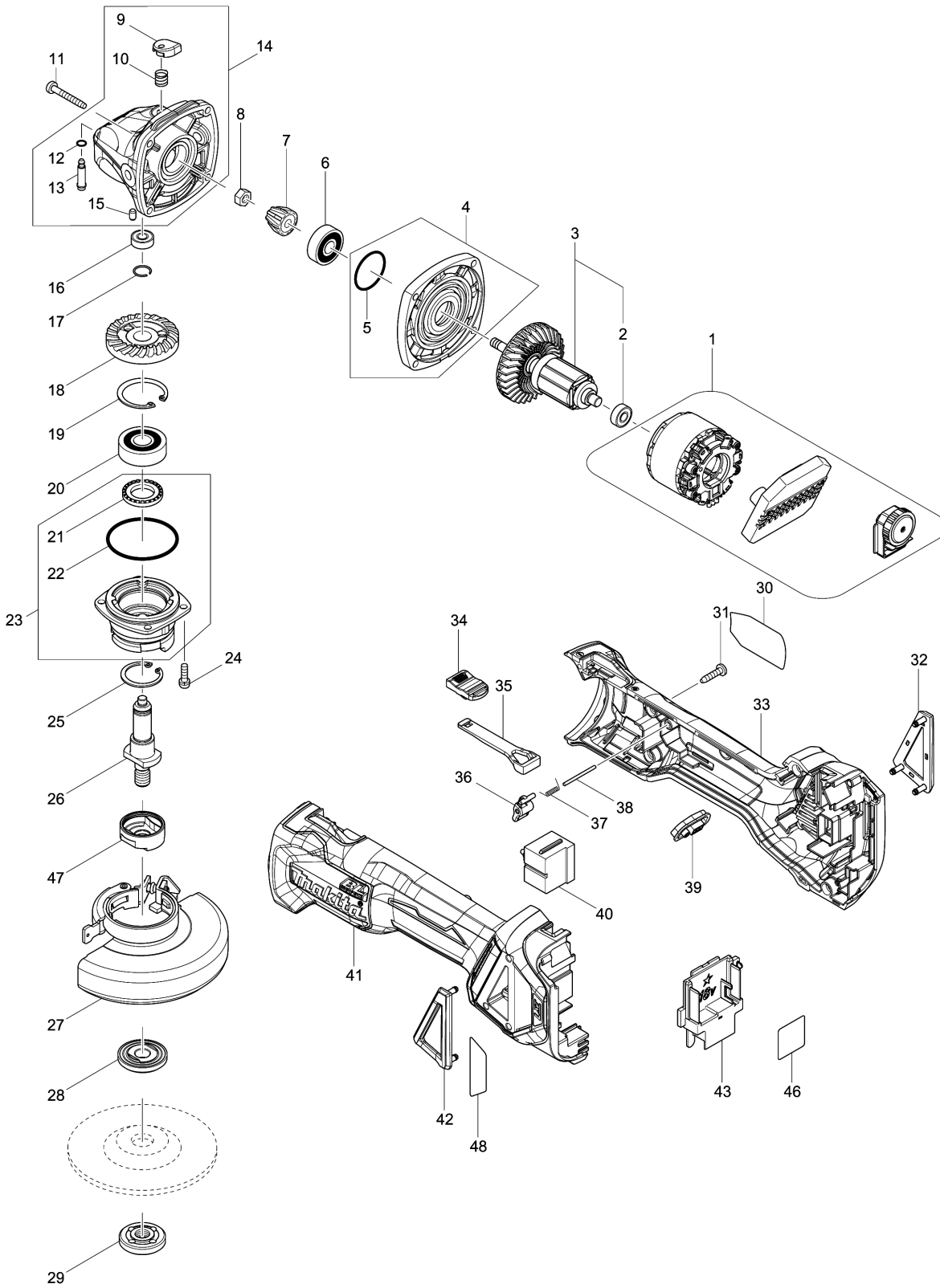


Model No.DGA413 100MM CORDLESS ANGLE GRINDER



Model No.DGA413 100MM CORDLESS ANGLE GRINDER

មុខ ទំនិញ	លេខផ្នែក	ព័ណ៌នា	I/C	Qty	New/Old	Sales	Purch.	Note
001	629298-6	STATOR COMPLETE		1	*			
001-1	629B61-9	STATOR	S	1				
002	210169-4	BALL BEARING 607LLB		1				
003	510329-1	ROTOR ASS'Y		1	*			
D10		INC. 2			*			
003-1	510329-1	ROTOR ASS'Y	O	1				
D10		INC. 2						
004	135930-7	GEAR HOUSING COVER ASSEMBLY		1				
D10		INC. 5						
005	213445-5	O-RING 26		1				
006	210042-8	BALL BEARING 629LLB		1				
007	227541-3	SPIRAL BEVEL GEAR 10		1	*			
007-1	226861-2	SPIRAL BEVEL GEAR 10	S	1				
008	252186-8	HEX. NUT M6		1				
009	417771-6	PIN CAP		1				
010	233072-2	COMPRESSION SPRING 8		1				
011	266361-0	TAPPING SCREW 4X30		4				
012	213960-9	O RING 5		1				
013	256546-6	SHOULDER PIN 4		1				
014	135929-2	GEAR HOUSING ASSEMBLY		1				
D10		INC. 9,10,12,13,15						
015	263002-9	RUBBER PIN 4		1				
016	210033-9	BALL BEARING 696ZZ		1				
017	233950-6	RING SPRING 11		1				
018	227641-9	SPIRAL BEVEL GEAR 37		1	*			
018-1	226862-0	SPIRAL BEVEL GEAR 37	S	1				
019	962151-6	RETAINING RING R-32		1				
020	211129-9	BALL BEARING 6201DDW		1				
021	262153-5	FELT RING 16		1				
022	213622-9	O RING 45		1				
023	135949-6	BEARING BOX ASSEMBLY		1				
D10		INC. 21,22						
024	911121-2	PAN HEAD SCREW M4X14		4				
025	962105-3	RETAINING RING R-26		1				
026	326669-5	SPINDLE		1				
027	122893-6	TOOLLESS WHEEL COVER 100K ASSY		1				
C10	213009-5	O RING 4		1				
C20	265180-1	PAN HEAD SCREW M5X16		1				
028	224483-2	INNER FLANGE 30		1				
029	224559-5	LOCK NUT 10-30		1				

Model No.DGA413 100MM CORDLESS ANGLE GRINDER

មុខ ទំនិញ	លេខផ្នែក	ព័ណ៌នា	I/C	Qty	New/Old	Sales	Purch.	Note
030	853X16-6	DGA413 NAME PLATE		1				
031	266326-2	TAPPING SCREW 4X18		5				
032	455450-8	DUST COVER R		1				
033	183H83-4	HOUSING SET		1				
C10	263005-3	RUBBER PIN 6		2				
D10		INC. 41						
034	455447-7	SWITCH KNOB		1				
035	455446-9	SWITCH LEVER		1				
036	455448-5	LEVER		1				
037	231679-8	TORSION SPRING 2		1				
038	268330-7	PIN 2		1				
039	142901-7	INDICATOR PANEL COMPLETE		1				
040	650579-7	SWITCH 1246.3223		1				
041	183H83-4	HOUSING SET		1				
C10	263005-3	RUBBER PIN 6		2				
D10		INC. 33						
042	455449-3	DUST COVER L		1				
043	643874-2	TERMINAL		1				
046	853X18-2	DGA413 SERIAL NO. LABEL		1				
047	310516-0	LEAD FLANGE B		1				
048	816D93-9	INDICATION LABEL		1				
049	620K24-2	CONTROLLER	S	1				
050	652119-7	PAN HEAD SCREW M2X6	S	6				
A01	A-80852	GRINDING WHEEL 100X6X16		1				
A02	158237-4	GRIP 36 COMPLETE		1				
A03	782420-7	LOCK NUT WRENCH 20		1				

Please order the parts with part number.

Print Date 31/8/2022