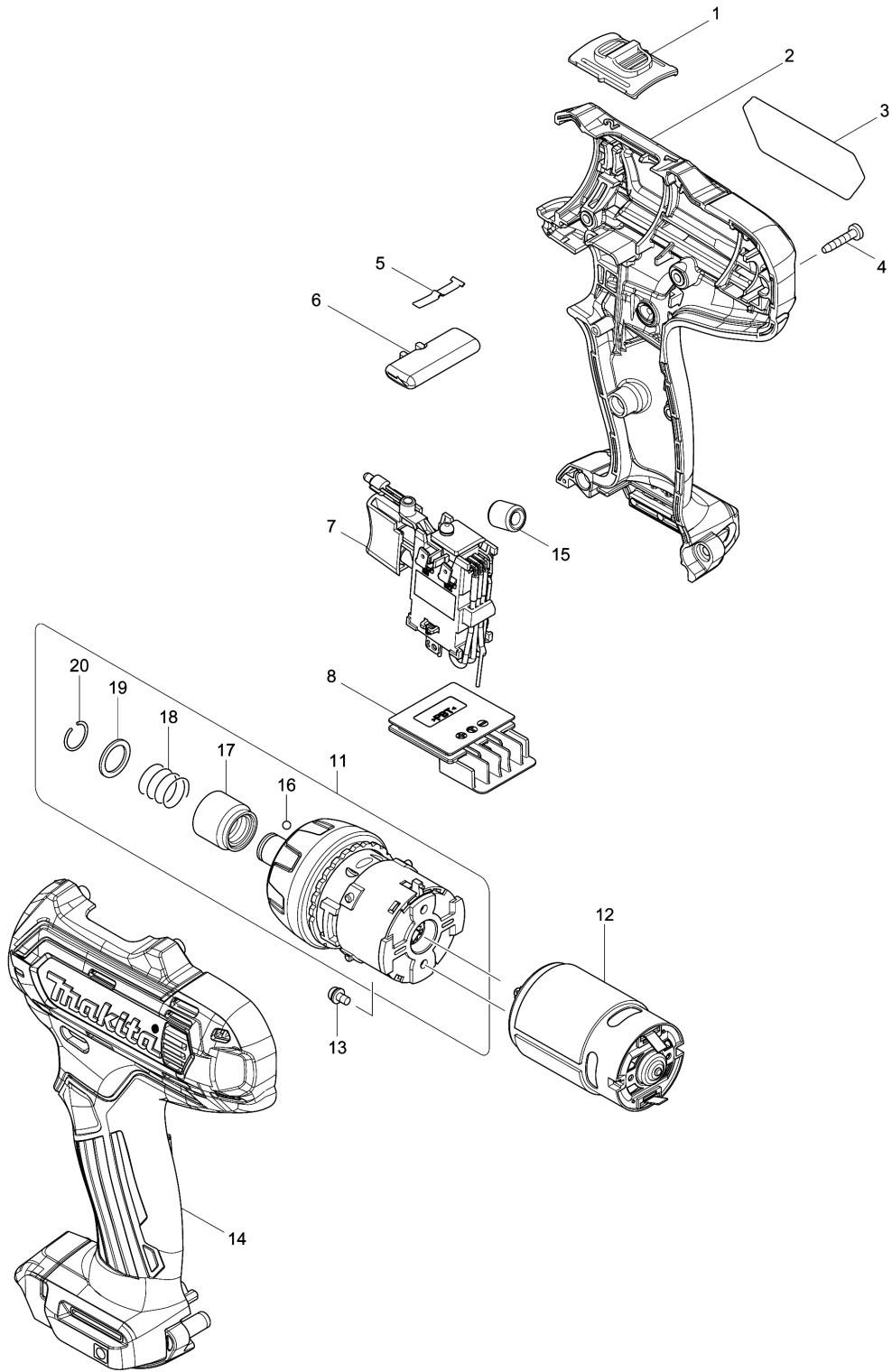


Model No.DF031D CORDLESS DRIVER DRILL



Model No.DF031D CORDLESS DRIVER DRILL

| មុខ ទំនិញ | លេខផ្នែក | ព័ណ៌នា | I/C | Qty | New/Old | Sales | Purch. | Note |
|--------------|-----------|--------------------------------|-----|-----|---------|-------|--------|------|
| 001 | 126233-0 | SPEED CHANGE LEVER ASSEMBLY | | 1 | | | | |
| C10 | 231433-0 | COMPRESSION SPRING 4 | | 2 | | | | |
| 002 | 183B50-3 | HOUSING SET | | 1 | | | | |
| C10 | 252126-6 | HEX. LOCK NUT M4-7 | | 2 | | | | |
| D10 | | INC. 14 | | | | | | |
| 003 | 851H56-2 | DF031D NAME PLATE | | 1 | * | | | |
| 003-1 | 851H55-4 | DF031D NAME PLATE | < | 1 | | | | |
| 004 | 266429-2 | TAPPING SCREW 3X16 | | 9 | | | | |
| 005 | 232239-9 | LEAF SPRING | | 1 | | | | |
| 006 | 456039-5 | F/R CHANGE LEVER | | 1 | | | | |
| 007 | 632F43-6 | SWITCH UNIT | | 1 | * | | | |
| C10 | 620463-0 | LED CIRCUIT | | 1 | * | | | |
| 007-1 | 632J77-3 | SWITCH UNIT | < | 1 | | | | |
| C10 | 620625-0 | LED CIRCUIT | | 1 | | | | |
| 008 | 644813-5 | TERMINAL | | 1 | | | | |
| 011 | 123505-4 | GEAR ASS'Y | | 1 | | | | |
| D10 | | INC. 16-20 | | | | | | |
| 012 | 629169-7 | DC MOTOR | | 1 | * | | | |
| 012-1 | 629167-1 | DC MOTOR | O | 1 | | | | |
| 013 | 911003-8 | PAN HEAD SCREW M3X6 | | 2 | | | | |
| 014 | 183B50-3 | HOUSING SET | | 1 | | | | |
| C10 | 252126-6 | HEX. LOCK NUT M4-7 | | 2 | | | | |
| D10 | | INC. 2 | | | | | | |
| 016 | 216019-1 | STEEL BALL 3 | | 2 | | | | |
| 017 | 324919-2 | BIT SLEEVE | | 1 | | | | |
| 018 | 233005-7 | COMPRESSION SPRING 13 | | 1 | | | | |
| 019 | 267143-3 | FLAT WASHER 11 | | 1 | | | | |
| 020 | 231965-7 | RING SPRING 10 | | 1 | | | | |
| A01 | 251314-2 | + SCREW M4X12 | | 1 | | | | |
| A02 | 346909-5 | HOOK | | 1 | | | | |
| A03 | 784202-3 | PHILLIPS BIT 2-45 | | 1 | * | | | |
| A03-1 | 784043-7 | +BIT 2-45 | O | 1 | | | | |
| A04B | 456128-6 | BATTERY COVER | | 1 | | | | |
| A05B | ***DC10SB | DC10SB BATTERY CHARGER | | 1 | | | | |
| D10 | | COMPO-PARTS | | | | | | |
| A06B | 197393-5 | BATTERY BL1016 SET | | 2 | | | | |
| A07B | 821661-1 | PLASTIC CARRYING CASE | | 1 | | | | |
| C10 | 417724-5 | LATCH | | 2 | | | | |

Please order the parts with part number.

Print Date 1/9/2022

