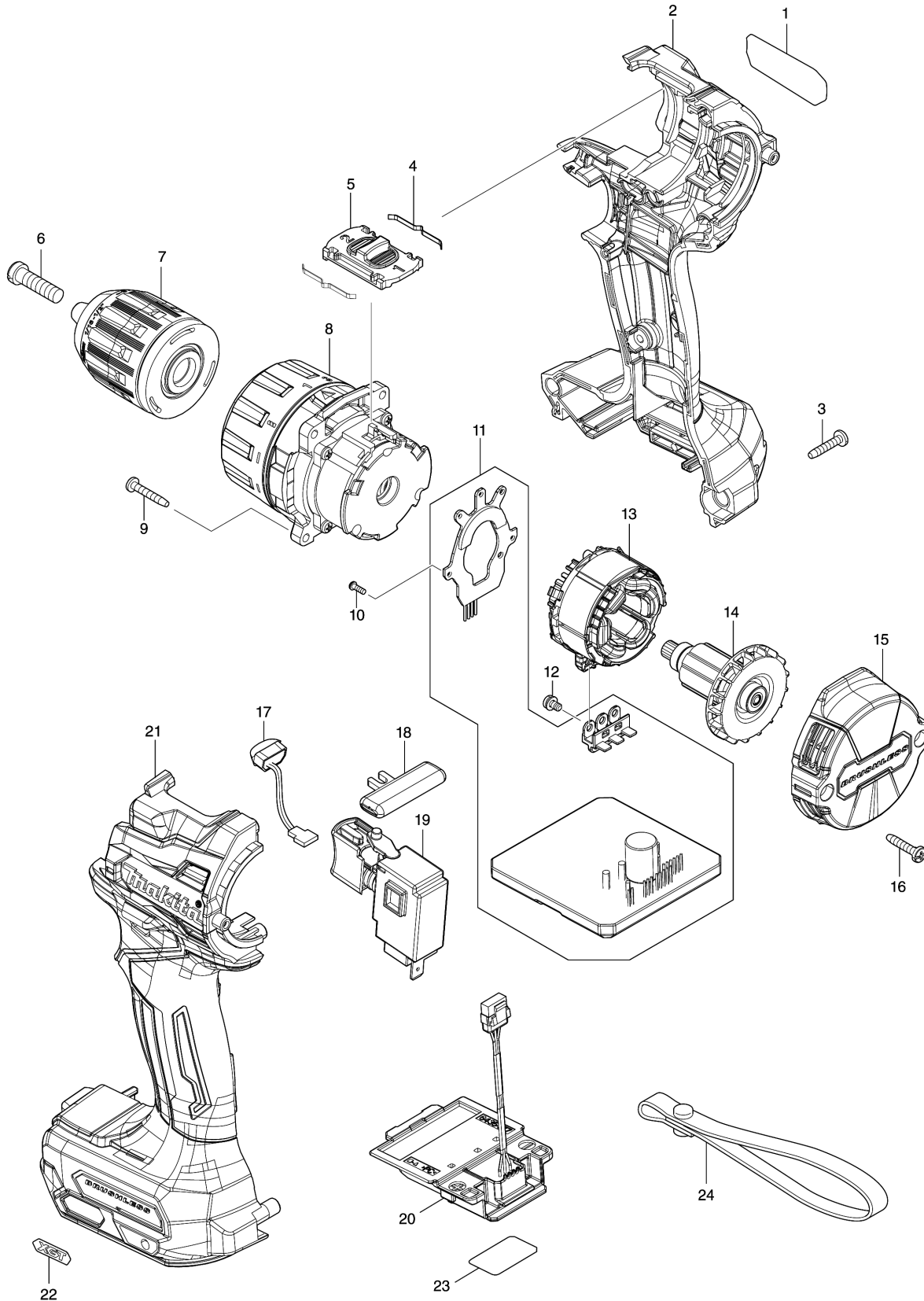


Model No.DF002G CORDLESS DRIVER DRILL



Model No.DF002G CORDLESS DRIVER DRILL

មុខ ទំនិញ	លេខផ្នែក	ព័ណ៌នា	I/C	Qty	New/Old	Sales	Purch.	Note
001	858D03-0	DF002G NAME PLATE		1				
002	183S03-4	HOUSING SET		1				
C10	263005-3	កន្លាស់កៅស៊ូ 6		2				
C20	252126-6	HEX. LOCK NUT M4-7		2				
D10		INC. 21						
003	266429-2	វិស 3X16		7				
004	232493-5	LEAF SPRING		2				
005	127731-7	SPEED CHANGE LEVER ASSEMBLY		1				
C10	233438-6	វិសរបង្កាប់ 4		2				
006	251468-5	វិសក្បាលរាប M6X22		1				
007	763256-3	KEYLESS DRILL CHUCK 13		1	*			
007-1	763262-8	KEYLESS DRILL CHUCK 13	<	1				
008	127730-9	GEAR ASSEMBLY		1				
009	251497-8	វិស 3X20		4				
010	266490-9	វិស 2X6		3				
011	620E42-4	CONTROLLER		1				
012	652069-6	វិស M3X6		3				
013	629A35-4	STATOR		1				
014	619659-8	ROTOR		1				
015	413251-0	REAR COVER		1				
016	266429-2	វិស 3X16		2				
017	620549-0	សៀគ្វី Led		1				
018	419041-9	គន្លឹះប្តូរទិសចេញ/ចូល		1				
019	651443-5	SWITCH C3JR-4B		1				
020	632R99-1	TERMINAL UNIT		1				
021	183S03-4	HOUSING SET		1				
C10	263005-3	កន្លាស់កៅស៊ូ 6		2				
C20	252126-6	HEX. LOCK NUT M4-7		2				
D10		INC. 2						
022	8007R2-2	XGT LOGO LABEL		1				
023	858D10-3	DF002G SERIAL NO. LABEL		1				
A01	251314-2	វិស M4X12		1				
A02	346317-0	ទំពក់		1				
A03	784637-8	+ - BIT 2-45		1				
A04B	***DC40RA	DC40RA FAST CHARGER		1				
D10		COMPO-PARTS						
A04C	***DC40RC	DC40RC FAST CHARGER		1				
D10		COMPO-PARTS						
A05B	191B36-3	BATTERY BL4025 SET		2				
A05C	191L29-0	BATTERY BL4020 SET		2				
A06B	412393-7	BATTERY COVER		1				

Please order the parts with part number.

Print Date 1/9/2022

Model No.DF002G CORDLESS DRIVER DRILL

មុខ ទំនិញ	លេខផ្នែក	ព័ណ៌នា	I/C	Qty	New/Old	Sales	Purch.	Note
A06C	412393-7	BATTERY COVER		1				
A07B	821550-0	ប្រអប់ប្រតិបត្តិឧបករណ៍ភ្ជាប់ (ប្រភេទទី2)		1				
C10	453974-8	គន្លឹះ		4				
A07C	821550-0	ប្រអប់ប្រតិបត្តិឧបករណ៍ភ្ជាប់ (ប្រភេទទី2)		1				
C10	453974-8	គន្លឹះ		4				
A08B	835U77-0	INNER TRAY		1				
A08C	835U77-0	INNER TRAY		1				
A09B	8028H4-0	DF002GD201 INDICATION LABEL		1				
A09C	8028L0-6	DF002GA201 INDICATION LABEL		1				
A10B	8028H5-8	DF002GD201 PLASTIC CASE LABEL		2				
A10C	8028L1-4	DF002GA201 PLASTIC CASE LABEL		2				

Please order the parts with part number.

Print Date 1/9/2022