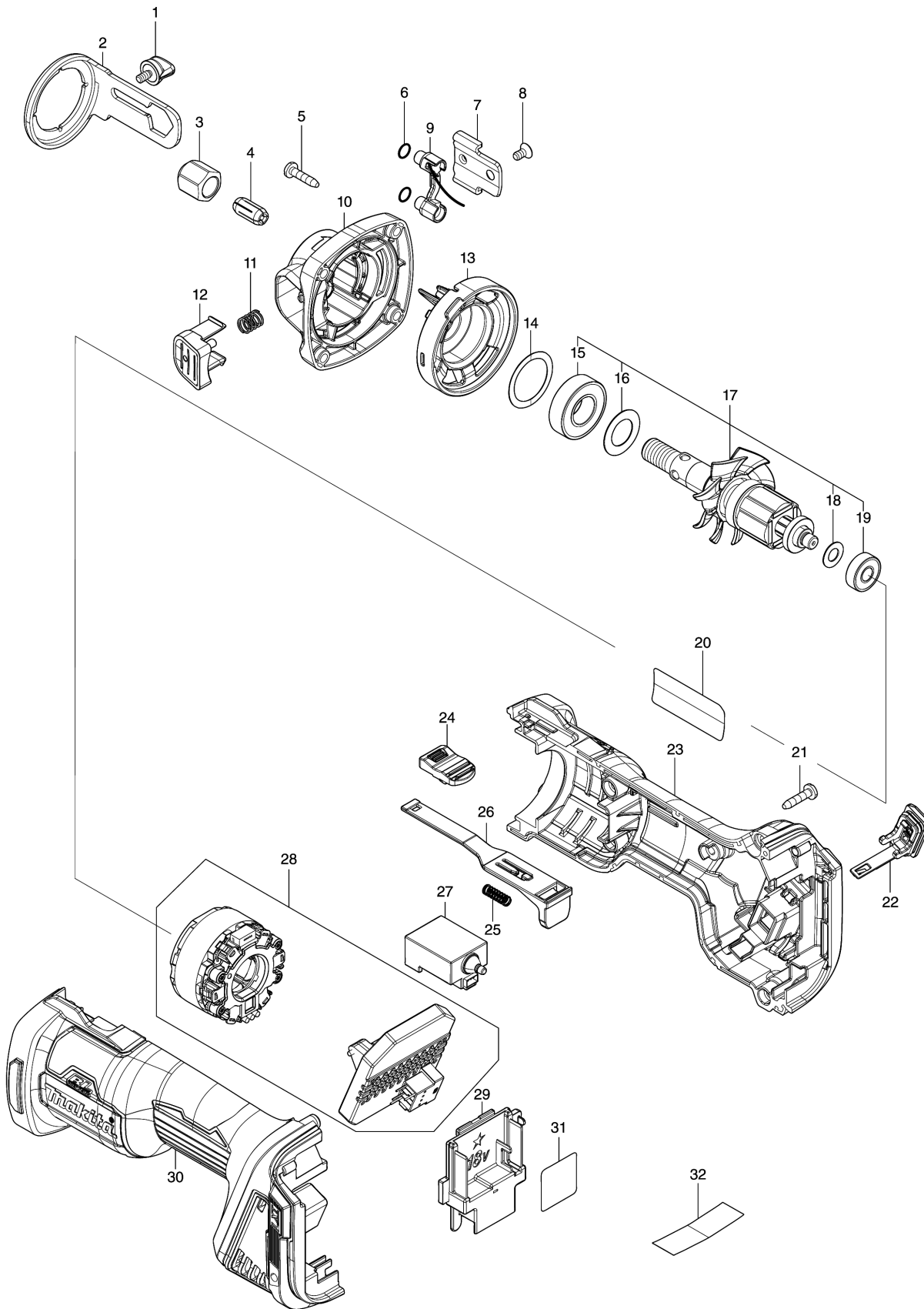


Model No.DC0181 CORDLESS CUT-OUT TOOL



Model No.DC0181 CORDLESS CUT-OUT TOOL

មុខទំនិញ	លេខផ្នែក	ព័ណ៌នា	I/C	Qty	New/Old	Sales	Purch.	Note
001	266898-7	វិសម្បដោយដៃ M4X8		1				
002	346796-2	បន្ទះជើងទប់		1				
003	763258-9	COLLET NUT		1				
004	763677-9	COLLET CONE 3.18		1				
005	266326-2	វិស 4X18		4				
006	213048-5	វិញ្ញាណអក្សរ O 6		2				
007	346795-4	SHOE SUPPORT		1				
008	265085-5	វិស M4X8		1				
009	620D25-8	LED CIRCUIT		1				
010	140V89-9	BEARING BOX COVER COMPLETE		1				
011	234332-5	វិស័របង្កាប់ 7		1				
012	412727-4	SHAFT LOCK		1				
013	412702-0	BEARING BOX		1	*			
013-1	412702-0	BEARING BOX	O	1				
014	267785-3	កាករលក 23		1				
015	211236-8	BALL BEARING 6002DDW		1				
016	267164-5	កាកសំប៉ែត 15		1				
017	519636-9	ROTOR ASS'Y		1				
D10		INC. 15,16,18,19						
018	253186-1	កាកសំប៉ែត 7		1				
019	210017-7	BALL BEARING 607DDW		1				
020	857P76-2	DCO181 NAME PLATE		1				
021	266326-2	វិស 4X18		5				
022	140G30-2	CAP COMPLETE		1				
C10	213218-6	វិញ្ញាណអក្សរ O 16		1				
023	183R26-6	HOUSING SET		1				
C10	263005-3	កន្លាស់កៅស៊ូ 6		2				
C20	252126-6	HEX. LOCK NUT M4-7		1				
D10		INC. 30						
024	455447-7	ដុំបង្វិលកុងតាក់		1				
025	233121-5	វិស័របង្កាប់ 4		1				
026	412233-9	SWITCH LEVER		1				
027	651445-1	SWITCH FPM-1130		1				
028	629A08-7	STATOR COMPLETE		1	*			
028-1	629B70-8	STATOR	S	1				
029	643874-2	ដូមីល្លា		1				
030	183R26-6	HOUSING SET		1				
C10	263005-3	កន្លាស់កៅស៊ូ 6		2				
C20	252126-6	HEX. LOCK NUT M4-7		1				
D10		INC. 23						
031	857P84-3	DCO181 SERIAL NO. LABEL		1				
033	620L15-9	CONTROLLER	S	1				
034	652119-7	PAN HEAD SCREW M2X6	S	6				
A01	193449-2	DUST COLLECTION COVER		1				
A02	191G69-8	DRYWALL GUIDE BIT 3.18 SET		2				

Model No.DCO181 CORDLESS CUT-OUT TOOL

មុខ ទំនិញ	លេខផ្នែក	ព័ណ៌នា	I/C	Qty	New/Old	Sales	Purch.	Note
A04	781037-3	សោដោះប៊ូឡុង 17		1				

Please order the parts with part number.

Print Date 27/9/2022