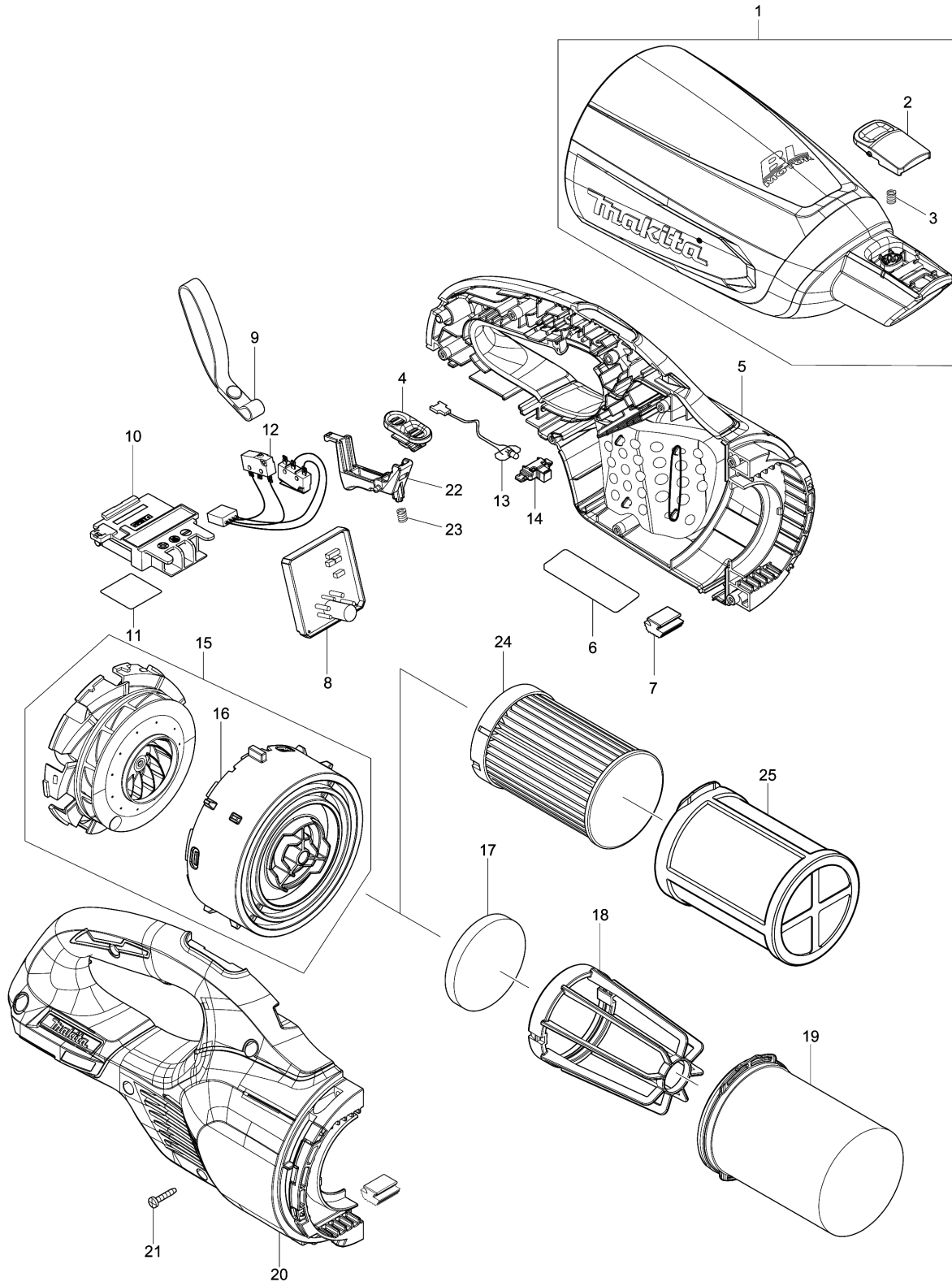


Model No.DCL280F CORDLESS CLEANER





Model No.DCL280F CORDLESS CLEANER

មុខ ទំនិញ	លេខផ្នែក	ព័ណ៌នា	I/C	Qty	New/Old	Sales	Purch.	Note
001	136096-6	CAPSULE COMPLETE ASS'Y		1				
C10	266326-2	វីស 4X18		1	*			
C11	251530-6	វីស 4X18	S	1				
C20	424208-6	វ៉ាល់		1				
C30	941051-3	កាកសំប៉ែត 4		1	*			
D10		INC. 2,3						
002	458939-5	BUTTON A		1				
003	232485-4	COMPRESSION SPRING 5		1				
004	459326-1	SLIDE SWITCH		1				
005	183L72-3	HOUSING SET		1				
C10	263005-3	កន្លាស់កៅស៊ូ 6		2				
C20	422458-7	SPONGE SHEET 55-80		2				
C30	213008-7	វិញ្ញាងអក្សរ O 22.4		2				
D10		INC. 7,20						
006	855S96-8	DCL280F NAME PLATE		1				
007	422460-0	RUBBER PLATE		2				
008	620A74-7	CONTROLLER		1				
010	643874-2	ដូមីណូ		1				
011	855T03-7	DCL280F SERIAL NO. LABEL		1				
012	632N57-3	SWITCH UNIT		1				
013	620A76-3	LED CIRCUIT		1	*			
013-1	620E82-2	LED CIRCUIT	<	1				
014	459478-8	LENS CASE		1				
015	136091-6	MOTOR ASS'Y		1				
D10		INC. 16						
016	459322-9	FAN COVER		1				
017	422268-2	SPONGE SHEET 57		1				
018	458467-0	STAY		1				
019	199966-0	EASY SHAKE OFF FILTER B SET		1				
020	183L72-3	HOUSING SET		1				
C10	263005-3	កន្លាស់កៅស៊ូ 6		2				
C20	422458-7	SPONGE SHEET 55-80		2				
C30	213008-7	វិញ្ញាងអក្សរ O 22.4		2				
D10		INC. 5,7						
021	266429-2	វីស 3X16		7				
022	459324-5	SWITCH LEVER		1				
023	232485-4	COMPRESSION SPRING 5		1				
A01	123486-2	FLOOR T-NOZZLE 28 WHI		1				
C10	451410-8	ROLLER		4				
C20	268208-4	កន្លាស់ 3		4				
C30	424096-1	ស្នះជ័រ (ក្បាលម៉ូទ័របូមជួលី)		1	*			

Please order the parts with part number.

Print Date 1/9/2022

Model No.DCL280F CORDLESS CLEANER

មុខ ទំនិញ	លេខផ្នែក	ព័ណ៌នា	I/C	Qty	New/Old	Sales	Purch.	Note
C31	422963-4	WIPER	O	1				
A02	451240-7	SASH NOZZLE 28 WHI		1	*			
A02-1	413770-6	SASH NOZZLE	O	1				
A03	459353-8	PIPE		1				
A04	459354-6	NOZZLE HOLDER		1				

Please order the parts with part number.

Print Date 1/9/2022