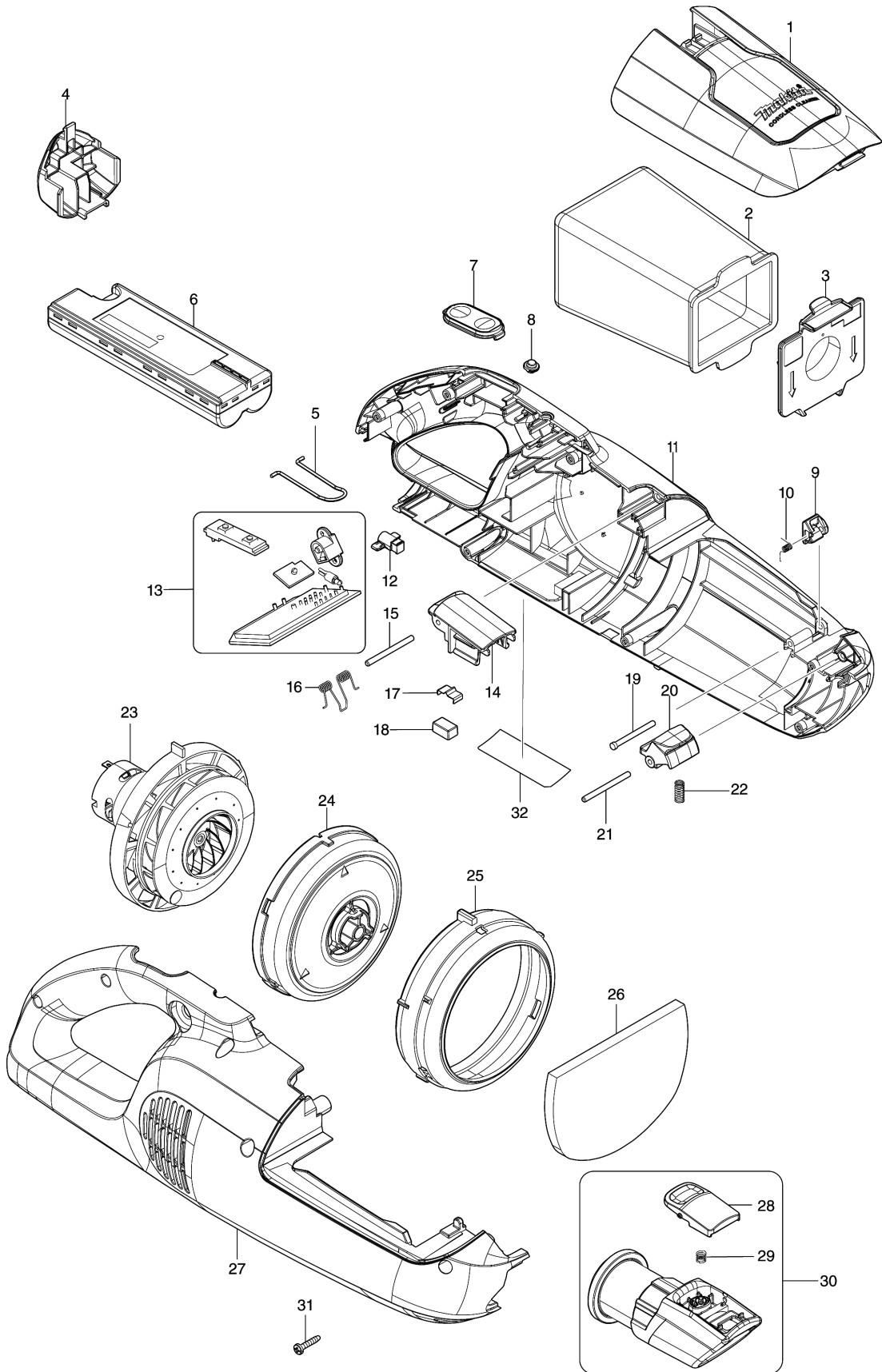


Model No.CL114FD CORDLESS CLEANER





Model No.CL114FD CORDLESS CLEANER

មុខ ទំនិញ	លេខផ្នែក	ព័ណ៌នា	I/C	Qty	New/Old	Sales	Purch.	Note
001	140W12-0	FRONT COVER COMPLETE		1				
C10	458927-2	SEAL		1				
002	166084-9	ថង់ផ្គុំកម្រិត		1				
003	143677-9	VALVE STAY COMPLETE		1				
004	454080-2	គម្រប		1				
005	324885-3	ឧបករណ៍ទំព្រក		1				
006	632R12-9	BATTERY		1				
007	144096-2	បន្ទះកុងតាក់		1				
008	450522-4	កែវពង្រីក		1				
009	458943-4	STOPPER PLATE		1				
010	232484-6	TORSION SPRING 4		1				
011	183R32-1	HOUSING SET		1				
C10	423444-1	SPONGE SHEET 52-76		2				
D10		INC. 27						
012	140K40-3	LENS CASE COMPLETE		1				
013	620985-0	CONTROLLER		1	*			
013-1	620H15-5	CONTROLLER	<	1				
014	458932-9	FRONT COVER JOINT		1				
015	268271-7	កន្លាស់ 3		1				
016	233580-3	វិស័របង្កើត 4		1				
017	232264-0	សន្លឹកជន្លៀស		1				
018	424367-6	RUBBER		1				
019	256590-3	FLAT FILLISTER HD. PIN 3		1				
020	458933-7	BUTTON B		1				
021	268271-7	កន្លាស់ 3		1				
022	233344-5	វិស័របង្កាប់ 4		1				
023	127090-9	MOTOR ASSEMBLY		1				
024	459035-2	FAN COVER		1				
025	422421-0	RUBBER RING		1				
026	424804-0	SPONGE SHEET 76-110		1				
027	183R32-1	HOUSING SET		1				
C10	423444-1	SPONGE SHEET 52-76		2				
D10		INC. 11						
028	458939-5	BUTTON A		1				
029	232485-4	COMPRESSION SPRING 5		1				
030	136033-0	INLET ASSY		1				
C10	424094-5	ដៃកម្រិត		1				
D10		INC. 28,29						
031	266130-9	វិស 3X16		8				
032	857R57-8	CL114FD NAME PLATE		1				
A01	198755-0	NOZZLE ASSEMBLY SET		1	*			

Model No.CL114FD CORDLESS CLEANER

មុខ ទំនិញ	លេខផ្នែក	ព័ណ៌នា	I/C	Qty	New/Old	Sales	Purch.	Note
C10	451410-8	ROLLER		4	*			
C20	743108-4	ប្រាស់ 205		1	*			
A01-1	198149-9	FLOOR/CARPET T-NOZZLE IVO	<	1				
A02	194566-1	ឈុតថង់ក្រដាសផ្អកជូលី		1	*			
A02-1	198745-3	PAPER FILTER SET	O	1				
A03	416041-0	SASH NOZZLE 28 IVO		1	*			
A03-1	413769-1	SASH NOZZLE	O	1				
A04	458940-0	PIPE		1				
A05	459036-0	NOZZLE HOLDER		1				
A06	***DC1002	DC1002 BATTERY CHARGER		1				

Please order the parts with part number.

Print Date 1/9/2022