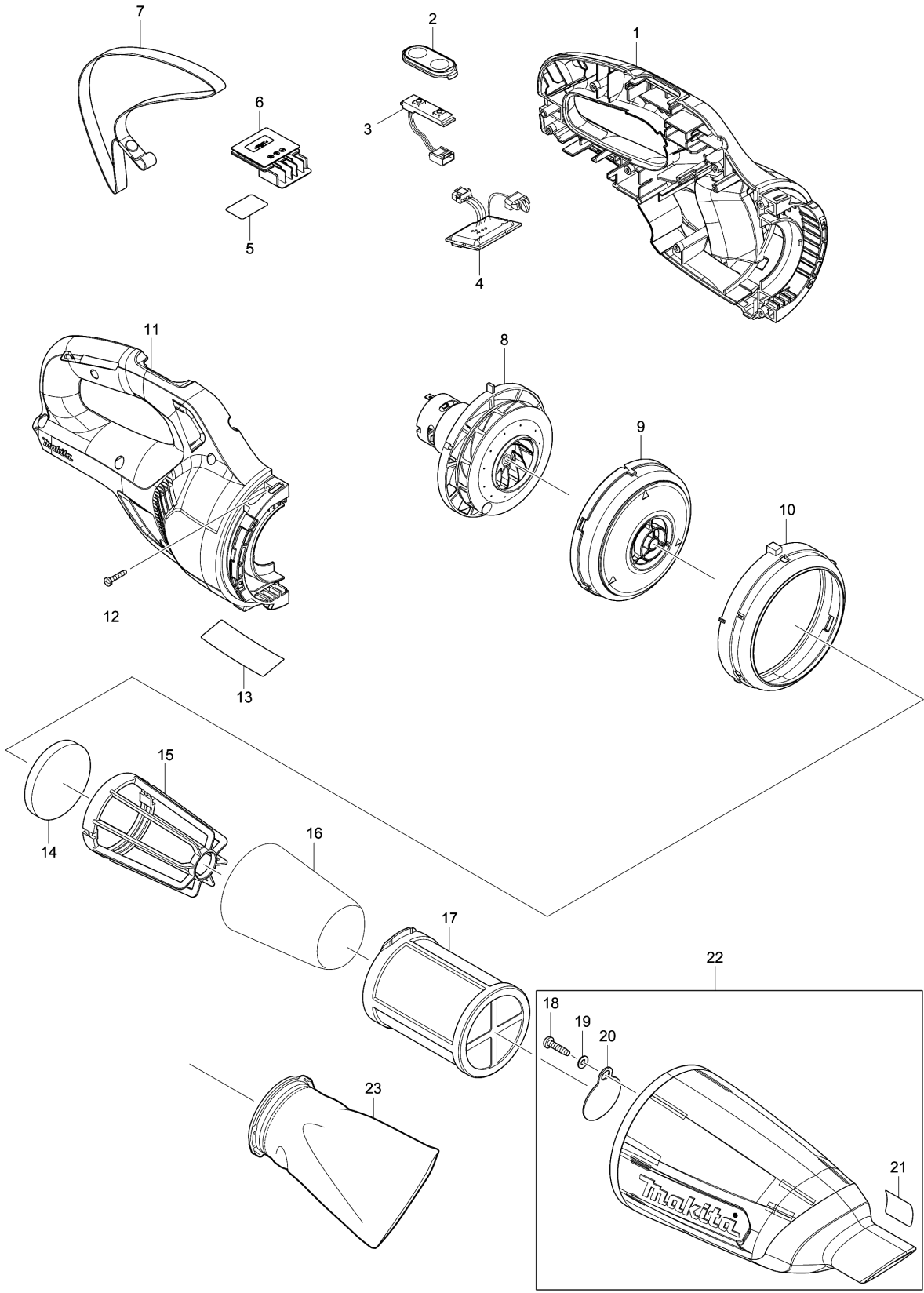


Model No.CL108FD CORDLESS CLEANER



Model No.CL108FD CORDLESS CLEANER

មុខ ទំនិញ	លេខផ្នែក	ព័ណ៌នា	I/C	Qty	New/Old	Sales	Purch.	Note
001A	183K49-2	HOUSING SET		1	*			
C10	424913-5	SPONGE SHEET 35-70		2	*			
D10		INC. 11			*			
001B	183K48-4	HOUSING SET		1	*			
C10	424913-5	SPONGE SHEET 35-70		2	*			
D10		INC. 11			*			
001-1A	183L99-3	HOUSING SET	O	1				
C10	424913-5	SPONGE SHEET 35-70		2				
D10		INC. 11						
001-1B	183L97-7	HOUSING SET	O	1				
C10	424913-5	SPONGE SHEET 35-70		2				
D10		INC. 11						
001-1C	183T11-1	HOUSING SET		1				
C10	424913-5	SPONGE SHEET 35-70		2				
D10		INC. 11						
002	144096-2	បន្ទះកុងតាក់		1				
003	631973-2	សំណុំកុងតាក់		1				
004A	632N06-0	សំណុំដុំបញ្ជា		1	*			
C10	620601-4	សៀគ្វី Led		1	*			
004B	632N06-0	សំណុំដុំបញ្ជា		1	*			
C10	620601-4	សៀគ្វី Led		1	*			
004-1A	632R94-1	CONTROLLER UNIT	<	1				
C11	620E97-9	LED CIRCUIT	<	1				
004-1B	632R94-1	CONTROLLER UNIT	<	1				
C11	620E97-9	LED CIRCUIT	<	1				
004-1C	632R94-1	CONTROLLER UNIT		1				
C11	620E97-9	LED CIRCUIT		1				
C30	654086-2	RECEPTACLE		2				
005	854T81-4	CL108FD SERIAL NO. LABEL		1				
006	644813-5	ដូមីណូ		1				
008	126846-7	MOTOR ASSEMBLY		1				
009	458834-9	FAN COVER		1				
010	422377-7	RUBBER RING		1				
011A	183K49-2	HOUSING SET		1	*			
C10	424913-5	SPONGE SHEET 35-70		2	*			
D10		INC. 1			*			
011B	183K48-4	HOUSING SET		1	*			
C10	424913-5	SPONGE SHEET 35-70		2	*			
D10		INC .1			*			
011-1A	183L99-3	HOUSING SET	O	1				
C10	424913-5	SPONGE SHEET 35-70		2				

Model No.CL108FD CORDLESS CLEANER

មុខ ទំនិញ	លេខផ្នែក	ព័ណ៌នា	I/C	Qty	New/Old	Sales	Purch.	Note
D10		INC. 1						
011-1B	183L97-7	HOUSING SET	O	1				
C10	424913-5	SPONGE SHEET 35-70		2				
D10		INC .1						
011-1C	183T11-1	HOUSING SET		1				
C10	424913-5	SPONGE SHEET 35-70		2				
D10		INC .1						
012	266429-2	វីស 3X16		7				
013	854T75-9	CL108FD NAME PLATE		1				
014	422268-2	SPONGE SHEET 57		1				
015	458467-0	STAY		1				
018A	265995-6	វីស 4X18		1	*			
018B	265995-6	វីស 4X18		1	*			
018C	266326-2	វីស 4X18		1				
018-1A	266326-2	វីស 4X18	O	1				
018-1B	266326-2	វីស 4X18	O	1				
019	941051-3	កាកសំប៉ែត 4		1				
020	424208-6	វ៉ាល់		1				
021	809293-4	ស្លាកសញ្ញាក្លែងសញ្ញា		1				
022A	140G25-5	CAPSULE COMPLETE		1				
022B	140G24-7	CAPSULE COMPLETE		1				
022C	141D85-2	CAPSULE COMPLETE		1				
D10		INC. 18-21						
023	455176-2	តម្រងប្រោះឆ្នួលដែលងាយលាក់ ចេញ		1				
A01A	123488-8	FLOOR T-NOZZLE 28 BLU		1				
A01B	123486-2	FLOOR T-NOZZLE 28 WHI		1				
A01C	123843-4	FLOOR T-NOZZLE 28 PNK		1				
C10	451410-8	ROLLER		4				
C20	268208-4	កន្លាស់ 3		4				
C30	424096-1	ស្ទះជ័រ (ក្បាលម៉ូទ័របូមឆ្នួល)		1	*			
C31	422963-4	WIPER	O	1				
A02A	451243-1	SASH NOZZLE 28 BLU		1	*			
A02B	451240-7	SASH NOZZLE 28 WHI		1	*			
A02C	457228-5	SASH NOZZLE 28 PNK		1	*			
A02-1A	413859-0	SASH NOZZLE	O	1				
A02-1B	413770-6	SASH NOZZLE	O	1				
A02-1C	413862-1	SASH NOZZLE	O	1				
A03A	451244-9	PIPE		1				
A03B	451241-5	PIPE		1				
A03C	457231-6	PIPE 465-28 PNK		1				

Model No.CL108FD CORDLESS CLEANER

មុខ ទំនិញ	លេខផ្នែក	ព័ណ៌នា	I/C	Qty	New/Old	Sales	Purch.	Note
A04A	451245-7	SASH NOZZLE HOLDER		1				
A04B	451242-3	SASH NOZZLE HOLDER		1				
A04C	457229-3	SASH NOZZLE HOLDER		1				
A05C	456128-6	គម្របថ្ន		1				
A06C	***DC10SB	DC10SB BATTERY CHARGER		1				
A07C	197396-9	ឈុតថ្ន BL1021B		1				
F12	198538-8	SHELF BRUSH SET28 BLU		1				
F18	198552-4	ROUND BRUSH SET 28 IVO		1				
F31	198915-4	FILTER SET		1				
F34-1	199039-9	SEAT NOZZLE SET 28 BLK	O	1				
F36	198990-0	LONG SASH NOZZLE SET 28 BLU		1				
F42	199041-2	SEAT NOZZLE SET 28 BLU		1				

Please order the parts with part number.

Print Date 1/9/2022