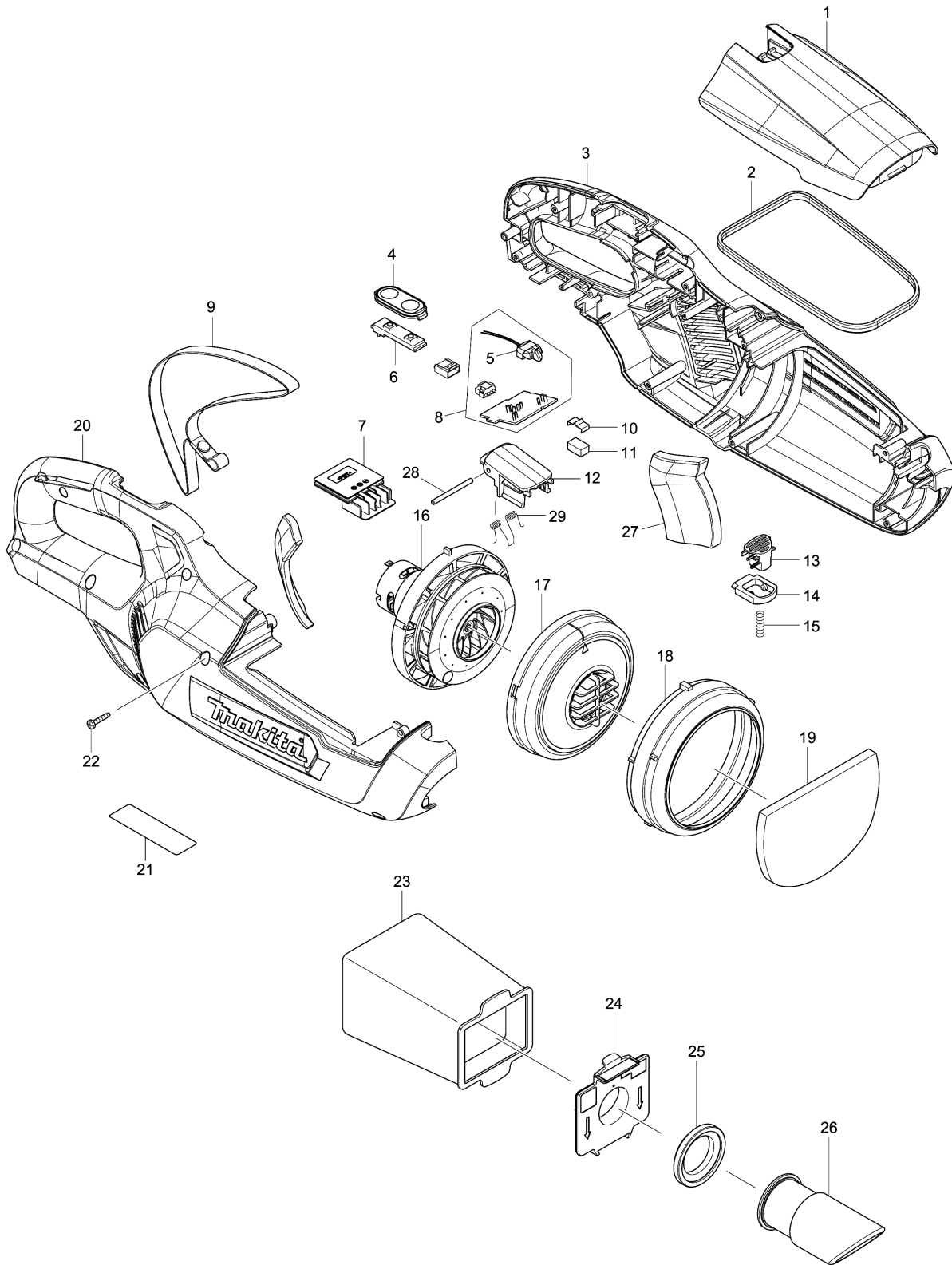


Model No.CL107FD CORDLESS CLEANER





Model No.CL107FD CORDLESS CLEANER

មុខ ទំនិញ	លេខផ្នែក	ព័ណ៌នា	I/C	Qty	New/Old	Sales	Purch.	Note
001	457148-3	គម្របខាងមុខ		1				
002	424912-7	រឹង		1				
003	183E87-8	ឈុតសម្បក		1				
D10		INC. 20						
004	144096-2	បន្ទះកុងតាក់		1				
005	620601-4	សៀគ្វី Led		1	*			
005-1	620E97-9	LED CIRCUIT	<	1				
006	631973-2	សំណុំកុងតាក់		1				
007	644813-5	ដូមីណូ		1				
008-1	632N06-0	សំណុំដុំបញ្ជា		1	*			
D10		INC. 5			*			
008-2	632R94-1	CONTROLLER UNIT	<	1				
C20	654086-2	RECEPTACLE		2				
D10		INC. 5						
010	232264-0	សន្លឹកជន្លៀស		1				
011	424367-6	RUBBER		1				
012	457151-4	FRONT COVER JOINT		1				
013	457150-6	BUTTON		1				
014	452352-9	ឧបករណ៍ទប់		1				
015	233344-5	វិស័របង្ហាប់ 4		1				
016	123293-3	សំណុំម៉ូទ័រ		1				
017	454084-4	គម្របកង្ហារ		1				
018	424320-2	រឹងកៅស៊ូ		1				
019	424804-0	SPONGE SHEET 76-110		1				
020	183E87-8	ឈុតសម្បក		1				
D10		INC. 3						
021	852S30-9	ផ្លាកឈ្មោះ: CL107FD		1				
022	266429-2	វិស 3X16		9				
023	166084-9	ថង់ផ្គុំកង្ហារ		1				
024	143677-9	VALVE STAY COMPLETE		1				
025	424094-5	ដៃកញ្ចាត់		1				
026	457149-1	បំពង់ខ្យល់ចូល		1				
027	424913-5	SPONGE SHEET 35-70		2				
028	268271-7	កញ្ចាត់ 3		1				
029	233580-3	វិស័របង្ហាប់ 4		1				
A01	123486-2	FLOOR T-NOZZLE 28 WHI		1				
C10	451410-8	ROLLER		4				
C20	268208-4	កញ្ចាត់ 3		4				
C30	424096-1	ស្ទះជ័រ (ក្បាលម៉ូទ័របូមផ្គុំ)		1	*			
C31	422963-4	WIPER	O	1				
A02	451240-7	SASH NOZZLE 28 WHI		1	*			

Model No.CL107FD CORDLESS CLEANER

មុខ ទំនិញ	លេខផ្នែក	ព័ណ៌នា	I/C	Qty	New/Old	Sales	Purch.	Note
A02-1	413770-6	SASH NOZZLE	O	1				
A03	451241-5	PIPE		1				
A04	451242-3	SASH NOZZLE HOLDER		1				
A05	194566-1	ឈុតថង់ក្រដាសស្រូបកំចាត់		1	*			
A05-1	198745-3	PAPER FILTER SET	O	1				
F04	191496-7	FLEXIBLE HOSE SET28(IVO)		1				
F12	198537-0	SHELF BRUSH SET28 IVO EU		1				
F14	198538-8	SHELF BRUSH SET28 BLU		1				
F19	198552-4	ROUND BRUSH SET 28 IVO		1				
F37	199039-9	SEAT NOZZLE SET 28 BLK		1				
F39	199041-2	SEAT NOZZLE SET 28 BLU		1				
F45	198990-0	LONG SASH NOZZLE SET 28 BLU		1				
F46	198968-3	BATTERY BL1016 SET		1				
F47	198969-1	BATTERY BL1016 SET (2PIECES)		1				
F48-1	198970-6	BATTERY BL1021B SET (2PIECES)	O	1				
F49-1	199002-2	BATTERY BL1041B SET (2PIECES)	O	1				
F56	194565-3	PAPER FILTER(10PCS)		1				

Please order the parts with part number.

Print Date 1/9/2022