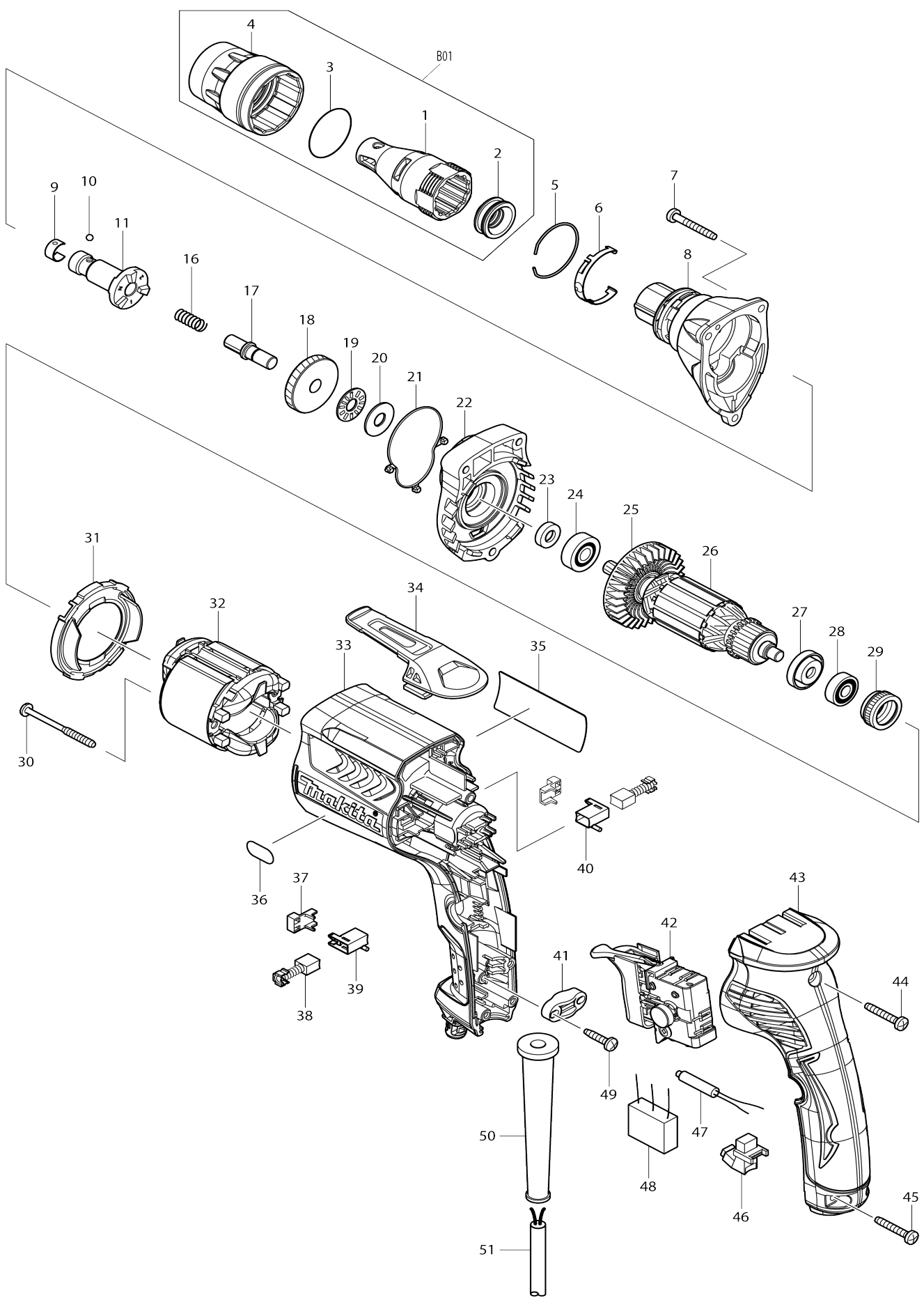


Model No.FS4200 DRYWALL SCREWDRIVER



Model No.FS4200 DRYWALL SCREWDRIVER

Item No.	Parts No.	Description	Interchangability	Q'ty	New/Old	Sales Price (USD)	Purchase Price(USD)	Note1	Note2
001	158876-0	LOCATOR L COMPLETE		1					
002	424163-2	DUST SEAL SLEEVE		1					
003	424235-3	SEAL RING 30		1					
004	450881-6	LOCK RING		1	*				
004-1	455591-0	LOCK RING	O	1					
005	233974-2	RING SPRING 33		1	*				
005-1	234293-9	RING SPRING 32	S	1					
006	232245-4	LEAF SPRING		1					
007	266361-0	TAPPING SCREW 4X30		3					
008	158880-9	GEAR HOUSING HNB COMPLETE		1	*				
008-1	142154-8	GEAR HOUSING HNB COMPLETE	S	1					
009	232050-9	LEAF SPRING		1					
010	216001-0	STEEL BALL 3.5		1					
011	324983-3	SPINDLE 125N		1					
016	233126-5	COMPRESSION SPRING 6		1					
017	268229-6	COLLARED PIN 8		1					
018	226687-2	HELICAL GEAR 41N		1	*				
018-1	227769-3	HELICAL GEAR 41N	<	1					
019	216415-3	THRUST NEEDLE CAGE 821		1	*				
019-1	216415-3	THRUST NEEDLE CAGE 821	O	1					
020	216212-7	WASHER 821		1					
021	424162-4	SEAL RING		1					
022	158874-4	GEAR HOUSING COVER COMPLETE		1					
023	451099-2	RING 7		1					
024	210007-0	BALL BEARING 608VV		1					
025	240083-0	FAN 52		1					
026	515758-3	ARMATURE ASSEMBLY 220V		1					
D10		INC. 23-25,27,28							
027	681636-0	INSULATION WASHER		1					
028	210062-2	BALL BEARING 607ZZ		1					
029	421868-5	LABYRINTH RUBBER RING 19		1					
030	266467-4	TAPPING SCREW 4X50		2					
031	450880-8	BAFFLE PLATE		1					
032	633693-4	FIELD 220-240V		1					
033	450877-7	MOTOR HOUSING S		1					
034	162272-6	HOOK		1					
035	866588-8	FS4200 NAME PLATE		1					
036	808575-1	4000RPM INDICATION LABEL		1					
037	689111-0	SPACER		2					
038	B-80422	CARBON BRUSH SET CB-419A		1					
039	643948-9	BRUSH HOLDER		1					
040	643951-0	BRUSH HOLDER		1					
041	687140-7	STRAIN RELIEF		1					
042	650614-1	SWITCH		1					
043	158877-8	HANDLE COVER S COMPLETE		1					
C10	263002-9	RUBBER PIN 4		2					
044	266374-1	TAPPING SCREW 4X25		1					

045	266374-1	TAPPING SCREW 4X25		2				
046	631881-7	LIGHT CIRCUIT		1	*			
046-1	631939-2	LIGHT CIRCUIT	<	1				
049	265995-6	TAPPING SCREW 4X18		2				
050	682566-8	CORD GUARD 10		1				
051	691015-4	POWER SUPPLY CORD 0.75-2-2.5		1				
052	819349-5	CLEAR LABEL		1	*			
052-1	892811-5	CLEAR LABEL		1				
053	423413-2	RUBBER PLATE		1				
054	213696-0	O-RING 26	S	1				
A01	784261-7	+BIT 2-25		2				
A02	784801-1	MAGNETIC BIT HOLDER 6.35-76		1				
B01	197024-6	LOCATOR L SET		1				
D10		INC. 1-4						
F12	199156-5	SQUARE BIT 2-130 SET		1				
F14-2	191L23-2	AUTOFEED ATTACHMENT SET	<	1				
F16-2	191L24-0	AUTOFEED ATTACHMENT SET	<	1				

Please state Parts No. when your order.

Print Date 05/09/2024