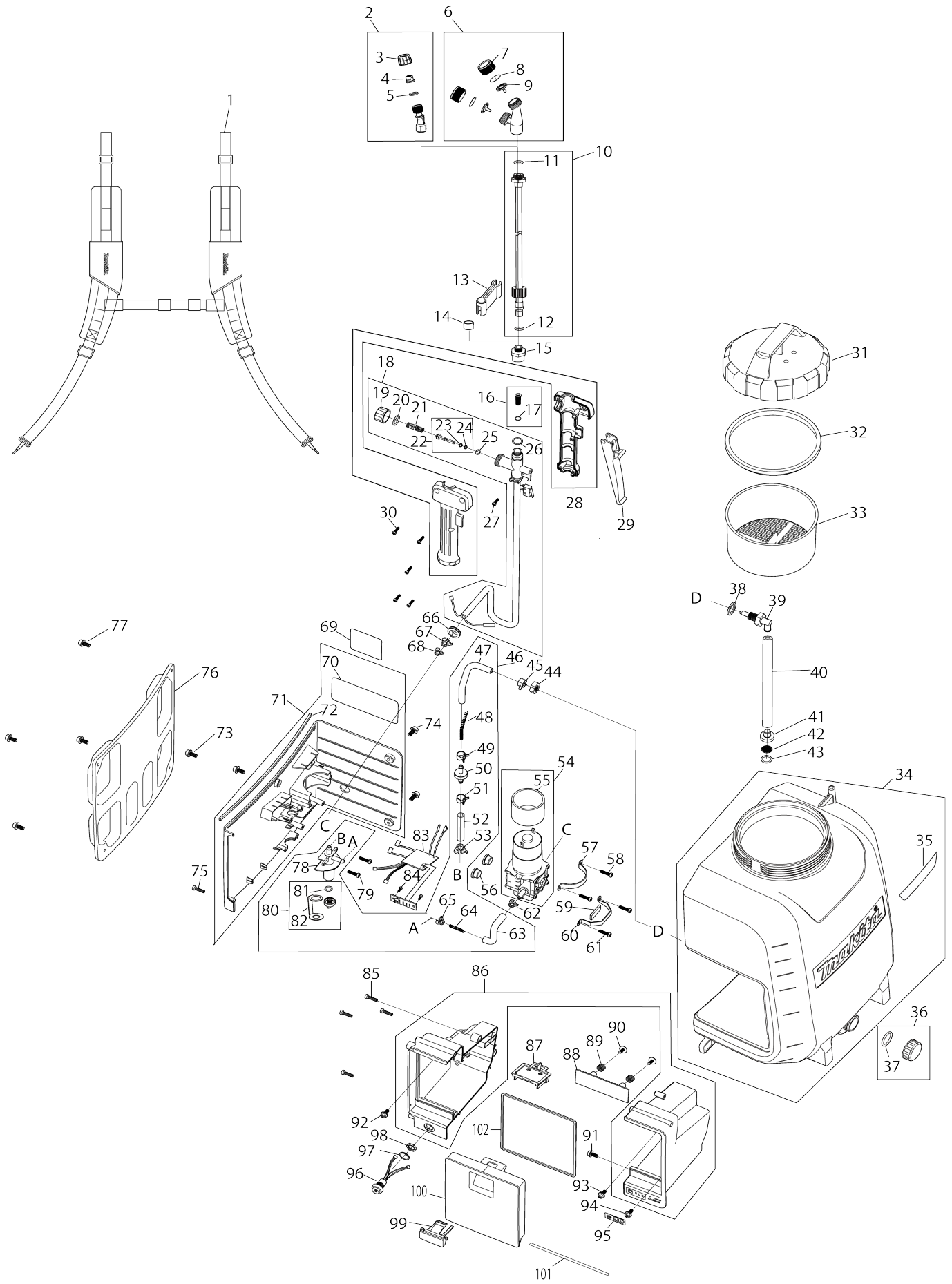


Model No.DUS158 CORDLESS GARDEN SPRAYER



Model No.DUS158 CORDLESS GARDEN SPRAYER

Item No.	Parts No.	Description	Interchangability	Q'ty	New/Old	Sales Price (USD)	Purchase Price(USD)	Note1	Note2
001	PR00000319	HARNES LR SET		1					
002	PR00000251	SINGLE NOZZLE ASSY		1					
D10		INC. 3-5							
003	PR00000252	CAP NUT		1					
004	PR00000253	SPRAYER NOZZLE		1					
005	PR00000254	O-RING 12X2		1					
006	PR00000255	TWIN HEAD MIST NOZZLE ASSY		1					
D10		INC. 7-9							
007	PR00000256	CAP NUT		2					
008	PR00000257	SPRAY CORE		2	*				
008-1	PR00000257	SPRAY CORE	O	2	*				
008-2	PR00000258	DISK	X	1	*				
008-3	PR00000258	DISK	O	2					
009	PR00000258	DISK		2	*				
009-1	PR00000258	DISK	O	2	*				
009-2	PR00000257	SPRAY CORE	X	1	*				
009-3	PR00000257	SPRAY CORE	O	2					
010	PR00000260	SPRAY WAND ASSY		1					
D10		INC. 11,12							
011	PR00000259	GASKET 11.5		1					
012	PR00000186	O RING 6X2		1					
013	PR00000314	HOOK FOR SPRAY WAND		1					
014	PR00000263	RUBBER CAP		1					
015	PR00000264	SPRAY WAND THREAD ADAPTOR		1					
016	PR00000147	FILTER ASSEMBLY		1					
D10		INC. 17							
017	PR00000146	O SEAL RING 4.5X1.5		1					
018	PR00000266	HOSE WITH SWITCH ASSY		1	*				
D10		INC. 19-22,25,26							
018-1	PR00000501	HOSE WITH SWITCH ASSY	S	1					
D10		INC. 19-22,25,26							
019	PR00000152	LOCK COVER		1					
020	PR00000254	O-RING 12X2		1					
021	PR00000150	SPRING		1					
022	PR00000151	VALVE ROD		1					
D10		INC. 23,24							
023	PR00000205	O RING 3X1.5		1					
024	PR00000205	O RING 3X1.5		1					
025	PR00000186	O RING 6X2		1					
026	PR00000149	O RING 8X1.8		1					
027	PR00000182	TAPPINNG SCREW ST2.9X12		1					
028	PR00000153	HANDLE SET		1	*				
028-1	PR00000502	HANDLE SET	<	1					
029	PR00000148	HANDLE TRIGGER ASSEMBLY		1					
030	PR00000182	TAPPINNG SCREW ST2.9X12		5					
031	PR00000316	TANK LID		1	*				
031-1	PR00000485	TANK LID(W/SEAL RING)	S	1					

032	PR00000315	TANK LID SEALING LID	S	1	*			
033	PR00000313	TANK FILTER		1				
034	PR00000477	15L TANK		1				
D10		INC. 35						
035	PR00000373	15L MODEL LABEL		1				
036	PR00000312	DRAIN PLUG ASSY		1				
D10		INC. 37						
037	PR00000479	O-RING 21.2X2.65		1				
038	PR00000259	GASKET 11.5		1				
039	PR00000265	TANK ELBOW JOINT		1				
040	PR00000280	TUBE 8X230		1				
041	PR00000279	SUCTION HEAD		1				
042	PR00000278	NET FILTER FOR SUCTION HEAD		1				
043	PR00000277	O-RING 17.5X3		1				
044	PR00000262	PLASTIC NUT 1/2"		1				
045	PR00000261	HOSE CLIP		1				
046	PR00000287	SUCTION TUBE SET		1				
D10		INC. 47-53,63-65,78,80						
047	PR00000281	TUBE 6X140		1				
048	PR00000282	SPRING 5X127		1				
049	PR00000261	HOSE CLIP		1				
050	PR00000283	CHECK VALVE ASSEMBLY		1				
051	PR00000261	HOSE CLIP		1				
052	PR00000284	TUBE 6X55		1				
053	PR00000184	SNAPPER HOSE CLAMP (L)		1				
054	PR00000270	PUMP UNIT WITH MOTOR		1				
D10		INC. 55						
055	PR00000268	ANTI VIBRATION RING		1				
056	PR00000292	ANTI VIBRATION PAD		2				
057	PR00000272	MOTOR FIXED PLATE		1				
058	PR00000271	TAPPING SCREW ST4.0X16		2				
059	PR00000274	RUBBER SHEET		1				
060	PR00000273	PUMP FIXED PLATE		1				
061	PR00000271	TAPPING SCREW ST4.0X16		2				
062	PR00000267	SNAPPER HOSE CLAMP (M)		1				
063	PR00000275	TUBE 6X90		1				
064	PR00000276	SPRING		1				
065	PR00000267	SNAPPER HOSE CLAMP (M)		1				
066	PR00000155	GROMMET		1				
067	PR00000184	SNAPPER HOSE CLAMP (L)		1				
068	PR00000267	SNAPPER HOSE CLAMP (M)		1				
069	PR00000365	NAME PLATE DUS158		1				
070	PR00000354	WARNING LABEL		1				
071	PR00000472	PUMP HOUSING ASSY EU		1				
D10		INC. 70,72						
072	PR00000290	SEALING STRIP		1				
073	PR00000288	PAN HEAD SCREW M5X12 WITH WR		2				
074	PR00000288	PAN HEAD SCREW M5X12 WITH WR		2				
075	PR00000271	TAPPING SCREW ST4.0X16		1				
076	PR00000289	BACK PAD		1				

077	PR00000288	PAN HEAD SCREW M5X12 WITH WR	4				
078	PR00000285	BASE	1				
079	PR00000271	TAPPING SCREW ST4.0X16	2				
080	PR00000286	KNOB LOCK CAP ASSEMBLY	1				
D10		INC. 81,82					
081	PR00000186	O RING 6X2	1				
082	PR00000475	KNOB LOCK CAP STRAP	1				
083	PR00000295	PCB	1				
084	PR00000293	TAPPING SCREW ST2.9X10	2				
085	PR00000271	TAPPING SCREW ST4.0X16	4				
086	PR00000297	BATTERY HOUSING SET	1				
087	PR00000302	BATTERY TERMINAL	1				
088	PR00000130	DAM-BOARD	1				
089	PR00000194	SPRING	2				
090	PR00000132	TAPPING SCREW ST4.0X12	2				
091	PR00000288	PAN HEAD SCREW M5X12 WITH WR	1				
092	PR00000288	PAN HEAD SCREW M5X12 WITH WR	1				
093	PR00000288	PAN HEAD SCREW M5X12 WITH WR	1				
094	PR00000288	PAN HEAD SCREW M5X12 WITH WR	1				
095	PR00000307	INDICATION LABEL	1				
096	PR00000299	SWITCH	1				
097	PR00000298	SWITCH GASKET	1				
098	PR00000300	HEX NUT(SWITCH)	1				
099	PR00000304	BATTERY COVER CLIP	1				
100	PR00000305	BATTERY COVER	1				
101	PR00000306	SHAFT 3X136	1				
102	PR00000303	BATTERY COVER SEAL PAD	1				
A01	PR00000317	MEASURING CUP(ML)	1				

Please state Parts No. when your order.

Print Date 05/09/2024