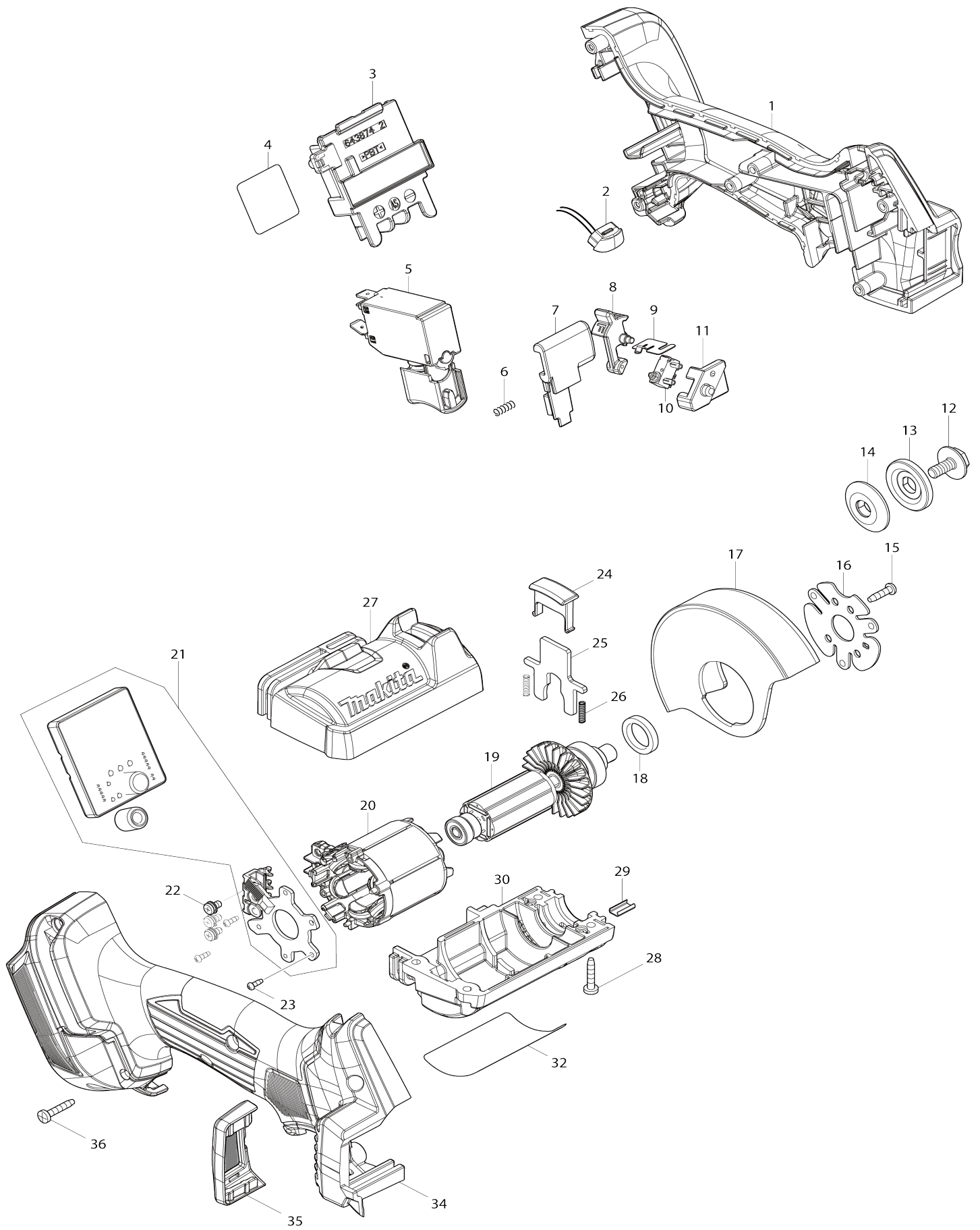


# Model No.DMC300 76MM CORDLESS COMPACT CUT OFF



Model No.DMC300 76MM CORDLESS COMPACT CUT OFF

Item No.	Parts No.	Description	Interchangability	Q'ty	New/Old	Sales Price (USD)	Purchase Price(USD)	Note1	Note2
001	183V87-0	HANDLE SET		1					
D10		INC. 34							
002	620549-0	LED CIRCUIT		1					
003	643874-2	TERMINAL		1					
004	8119H1-1	DMC300 SERIAL NO. LABEL		1					
005	650027-6	SWITCH C3JW-4CM-R		1					
006	231433-0	COMPRESSION SPRING 4		1					
007	413F56-4	LOCK OFF BUTTON		1					
008	413F52-2	F/R CHANGE LEVER		1					
009	232747-0	LEAF SPRING		1					
010	632T84-6	SWITCH UNIT		1					
011	413F55-6	SWITCH BASE		1					
012	265C51-0	HEX. SOCKET HEAD BOLT M5X12		1					
013	224624-0	OUTER FLANGE 25		1					
014	224623-2	INNER FLANGE 25		1					
015	266556-5	TAPPING SCREW 3X12		4					
016	347979-7	PLATE A		1					
017	162B46-7	WHEEL COVER 76		1					
018	422870-1	FELT RING 18		1					
019	619755-2	ROTOR		1					
020	629B23-7	STATOR		1					
021	620J17-3	CONTROLLER		1					
022	652069-6	FLAT HEAD SCREW M3X6		3					
023	266490-9	TAPPING SCREW PT 2X6		3					
024	413F51-4	CAP		1					
025	347978-9	SHAFT LOCK		1					
026	232472-3	COMPRESSION SPRING 2		2					
027	183X33-5	MOTOR HOUSING SET		1					
D10		INC. 30							
028	266429-2	TAPPING SCREW 3X16		4					
029	347980-2	PLATE B		1					
030	183X33-5	MOTOR HOUSING SET		1					
D10		INC. 27							
032	8119G4-8	DMC300 NAME PLATE		1					
034	183V87-0	HANDLE SET		1					
D10		INC. 1							
035	422880-8	DUST COVER		1					
036	266429-2	TAPPING SCREW 3X16		6					
A01	122C54-6	DUST COLLECT COVER ATTACHMENT		1					
C10	265760-3	THUMB SCREW M5X10		1					
C20	267010-2	FLAT WASHER 5		1					
C30	413F54-8	CLEAR COVER		1					
C40	265C71-4	TAPPING SCREW 3X6		2					
A02	D-77263	DIAMOND WHEEL 76X10 MM RIM		1	*				
A02-1	D-77263	DIAMOND WHEEL 76X10 MM RIM	O	1					

A03	D-74837	TUNGSTEN CARBIDE GRIT 76X10 MM		1					
A04	D-74815	CUTTING WHEEL/THIN THICKNE SS		1					
A05	783202-0	HEX. WRENCH 4		1					

Please state Parts No. when your order.

Print Date 05/09/2024