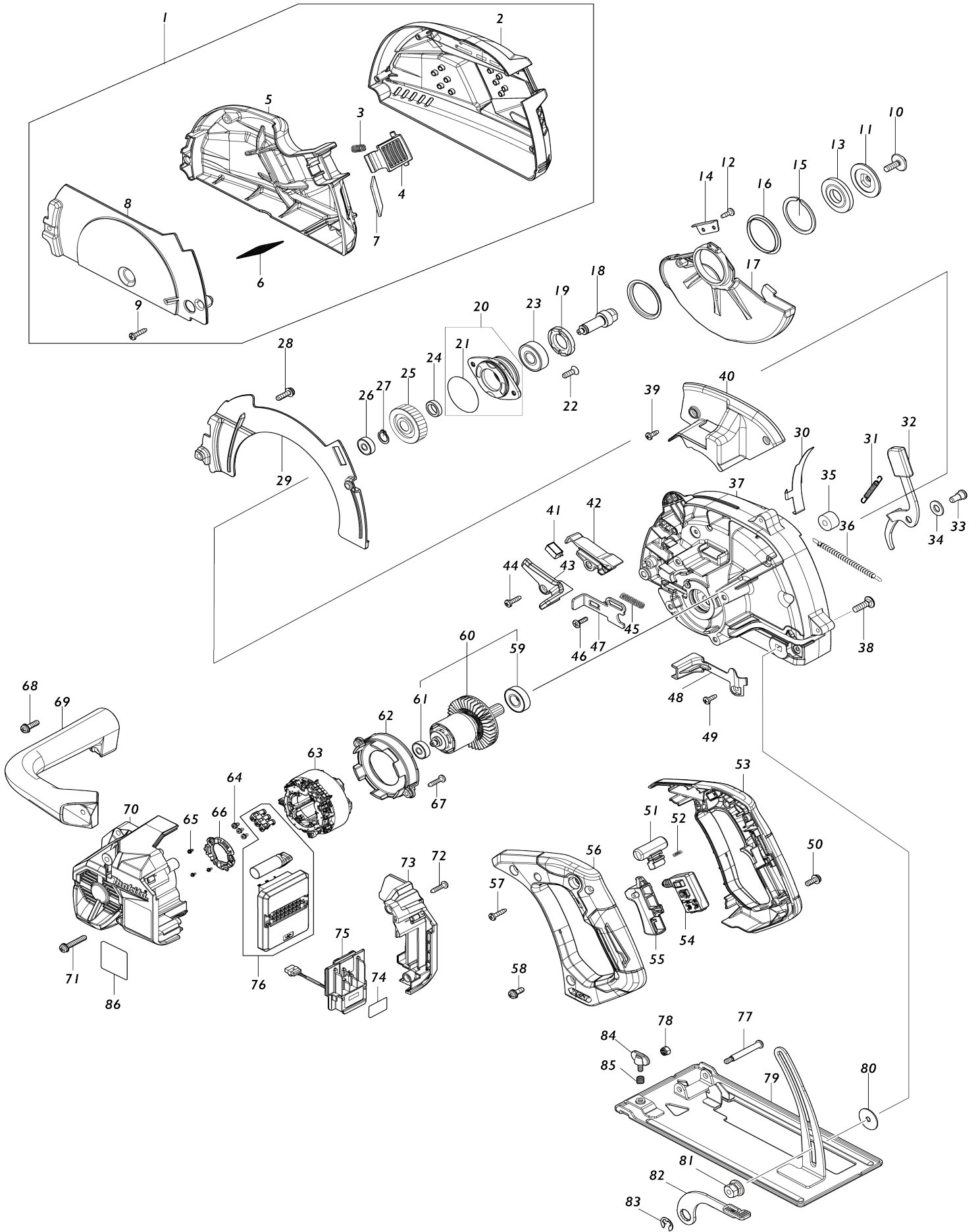


Model No.CS002G 185MM CORDLESS METAL CUTTER



Model No.CS002G 185MM CORDLESS METAL CUTTER

Item No.	Parts No.	Description	Interchangability	Q'ty	New/Old	Sales Price (USD)	Purchase Price(USD)	Note1	Note2
001	136729-3	DUST CASE ASS'Y		1					
D10		INC. 2-9							
002	183W40-2	DUST CASE COVER SET		1					
C10	8012U4-2	XGT LOGO LABEL		1					
C20	810055-5	CAUTION LABEL		1					
003	233189-1	COMPRESSION SPRING 6		1					
004	413E80-1	HOOK		1					
005	312C66-9	DUST CASE		1					
006	347996-7	PUNCHING METAL COVER		1					
007	431005-3	HEAT RESISTING GLASS		1					
008	312C67-7	DUST PLATE		1					
009	265995-6	TAPPING SCREW 4X18		5					
010	266458-5	HEX.SOCKET HEX.BOLT M6X18		1					
011	224366-6	OUTER FLANGE 40		1					
012	266026-4	TAPPING SCREW BIND CT 4X12		1					
013	224370-5	INNER FLANGE 40		1					
014	344944-7	SUB PLATE		1					
015	961186-4	RETAINING RING WR-40		1					
016	347964-0	SPACER		2					
017	312C69-3	SAFETY COVER		1					
018	327957-3	SPINDLE		1					
019	285802-7	BEARING RETAINER 19-33		1					
020	136703-1	BEARING BOX ASS'Y		1					
D10		INC. 21							
021	213565-5	O RING 42		1					
022	265034-2	+ COUNTERSUNK HEAD SCREW M5X16		2					
023	211129-9	BALL BEARING 6201DDW		1					
024	257011-8	RING 12		1					
025	227944-1	HELICAL GEAR 29		1					
026	210022-4	BALL BEARING 626DDW		1					
027	961052-5	RETAINING RING (EXT) S-12		1					
028	911228-4	PAN HEAD SCREW M5X18		2					
029	312C68-5	BLADE COVER		1					
030	347A66-8	PROTECTOR		1					
031	231823-7	TENSION SPRING 4		1					
032	162B55-6	LEVER		1					
033	251267-5	+ PAN HEAD SCREW M6		1	*				
033-1	265506-7	SHOULDER HEX. BOLT M6	S	1	*				
033-2	265D04-5	+ PAN HEAD SCREW M6	O	1					
034	941201-0	FLAT WASHER 8		1	*				
034-1	253139-0	FLAT WASHER 8	S	1					
035	262552-1	RUBBER SLEEVE 6		1					
036	231845-7	TENSION SPRING 4		1					
037	141H36-9	GEAR HOUSING COMPLETE		1	*				
C10	213437-4	O RING 28		1	*				
C20	263002-9	RUBBER PIN 4		1	*				
037-1	141V52-5	GEAR HOUSING COMPLETE	S	1					

C10	213437-4	O RING 28		1				
C20	263002-9	RUBBER PIN 4		1				
038	266737-1	FLAT HEAD SQ. NECK BOLT M6X20		1				
039	266026-4	TAPPING SCREW BIND CT 4X12		2				
040	413E82-7	GEAR HOUSING COVER		1	*			
040-1	413X46-5	GEAR HOUSING COVER	S	1				
041	620936-3	LED CIRCUIT		1				
042	413E86-9	LED CASE		1				
043	413E85-1	LED COVER		1				
044	266034-5	TAPPING SCREW CT 4X16		1				
045	233084-5	COMPRESSION SPRING 6		1				
046	251529-1	+ PAN HEAD SCREW M4X14		1				
047	347963-2	SHAFT LOCK		1				
048	413E79-6	LEAD COVER		1				
049	266026-4	TAPPING SCREW BIND CT 4X12		1				
050	911218-7	PAN HEAD SCREW M5X14		2				
051	419704-7	LOCK OFF BUTTON		1				
052	231433-0	COMPRESSION SPRING 4		1				
053	183V81-2	HANDLE SET		1				
D10		INC. 56						
054	650008-0	SWITCH C3XB-1LPSPM		1	*			
054-1	650039-9	SWITCH C3XB-1LPSPM	<	1				
055	413C24-9	SWITCH LEVER		1				
056	183V81-2	HANDLE SET		1				
D10		INC. 53						
057	265995-6	TAPPING SCREW 4X18		3				
058	911218-7	PAN HEAD SCREW M5X14		2				
059	211131-2	BALL BEARING 6001DDW		1				
060	519749-6	ROTOR ASS'Y		1				
D10		INC. 59,61						
061	210022-4	BALL BEARING 626DDW		1				
062	413E81-9	BAFFLE PLATE		1				
063	629A85-9	STATOR		1				
064	652069-6	FLAT HEAD SCREW M3X6		3				
065	652093-9	PAN HEAD SCREW M2X5		3	*			
065-1	652119-7	PAN HEAD SCREW M2X6	O	3				
066	632R96-7	SENSOR UNIT		1				
067	265995-6	TAPPING SCREW 4X18		2				
068	911228-4	PAN HEAD SCREW M5X18		3				
069	413E78-8	GRIP		1				
070	141H38-5	MOTOR HOUSING COMPLETE		1				
C10	263005-3	RUBBER PIN 6		1				
071	911253-5	PAN HEAD SCREW M5X30		4				
072	265995-6	TAPPING SCREW 4X18		2				
073	141H41-6	TERMINAL HOUSING COMPLETE		1				
C10	263005-3	RUBBER PIN 6		1				
074	8117M5-6	CS002G SERIAL NO. LABEL		1				
075	632P49-4	TERMINAL UNIT		1				
076	620H98-5	CONTROLLER		1				
077	265075-8	+ PAN HEAD SCREW M5		1				
078	252103-8	HEX. LOCK NUT M5-8		1				

079	162B41-7	BASE		1				
080	253196-8	FLAT WASHER 6		1				
081	252312-9	COLLERED HEX. NUT M6-13		1				
082	271460-5	LEVER 90		1				
083	257953-6	BOW STOP RING E-12		1				
084	265701-9	THUMB SCREW M6X14		1				
085	231316-4	COMPRESSION SPRING 7		1				
086	8117J0-5	CS002G NAME PLATE		1				
A01	783203-8	HEX. WRENCH 5		1				
A02	E-12918	EFFICUT METAL FOR METAL CUT TIN		1				
A03	192219-6	SAFETY GOGGLE		1	*			
A04	164095-8	GUIDE RULE		1				

Please state Parts No. when your order.

Print Date 05/09/2024