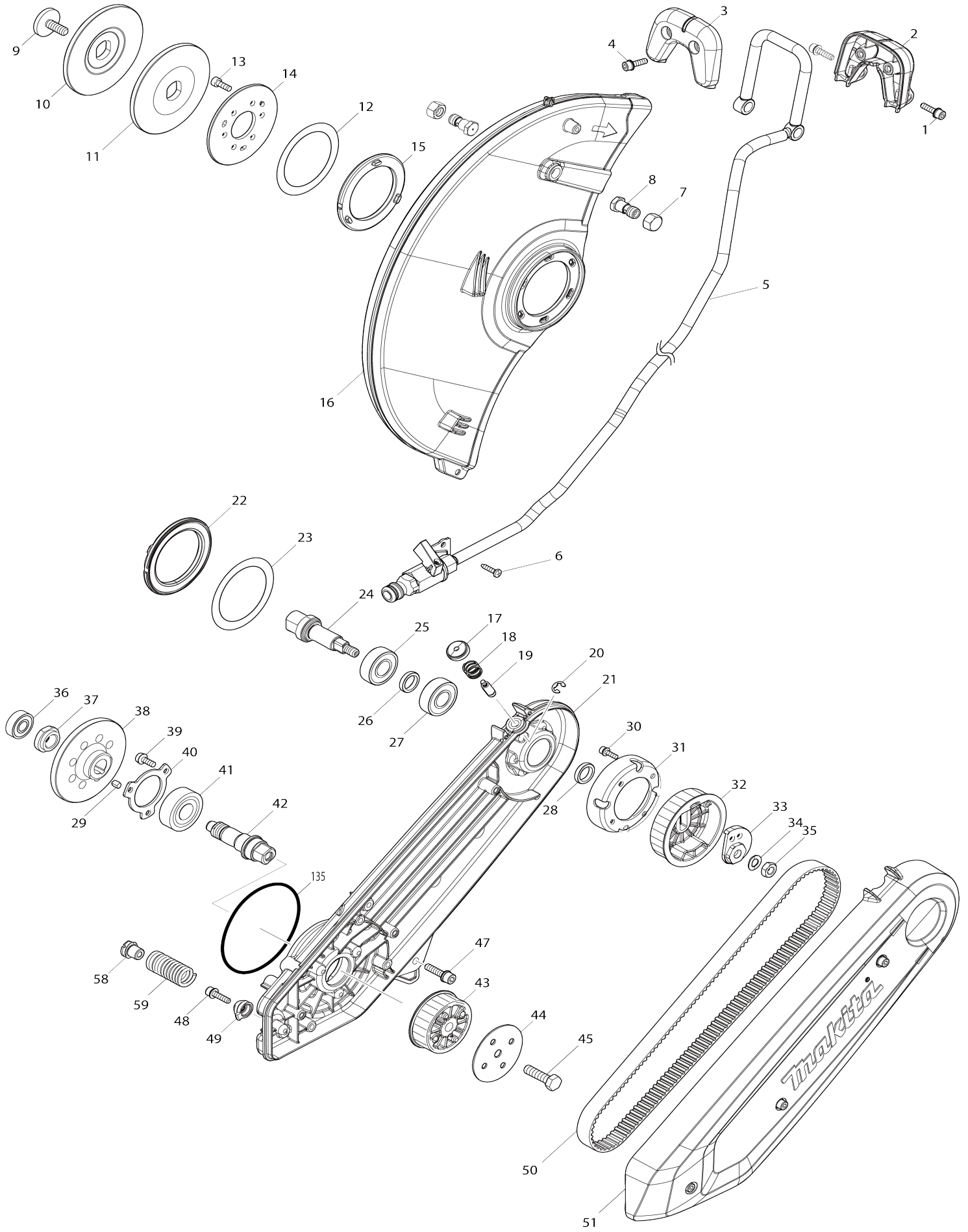
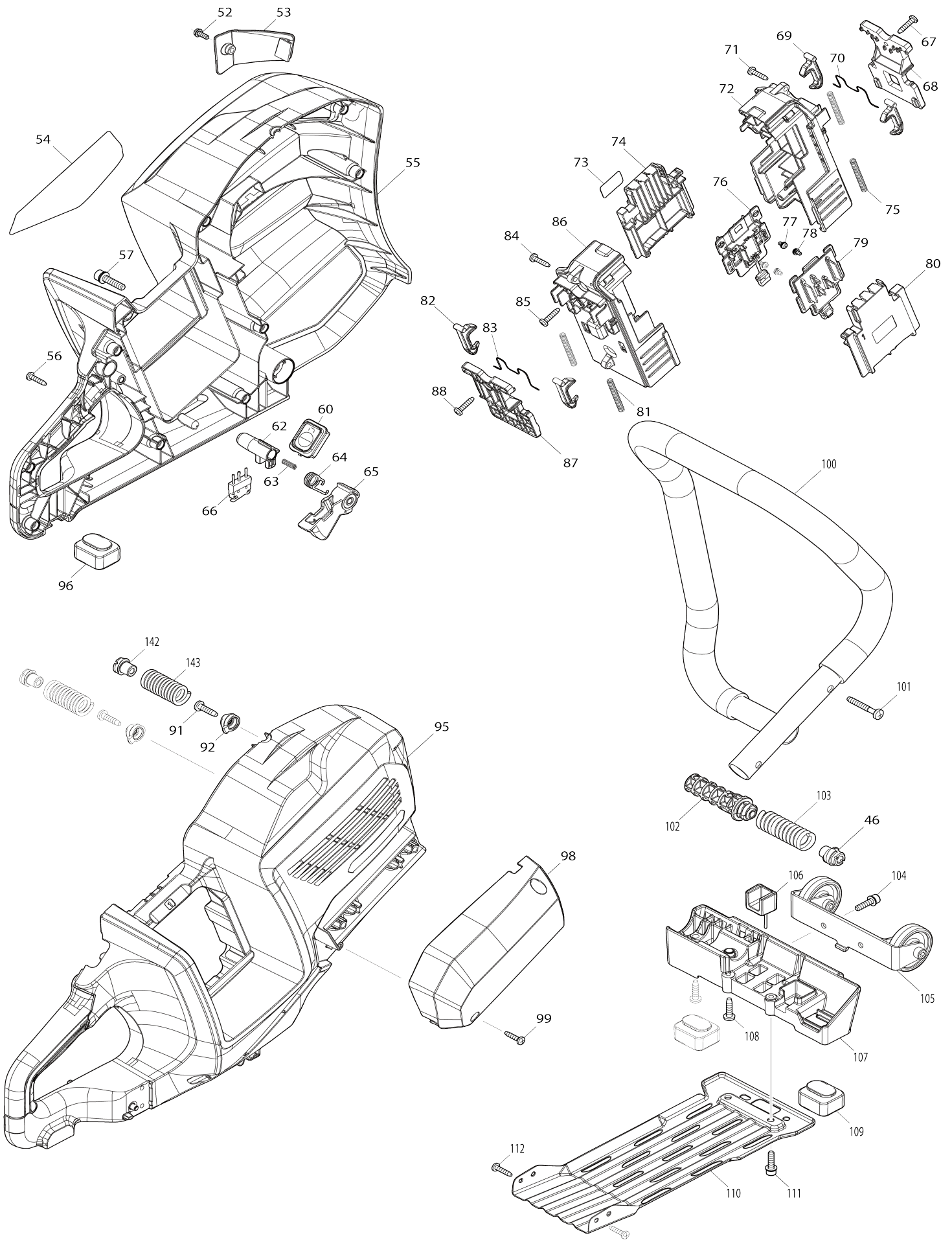


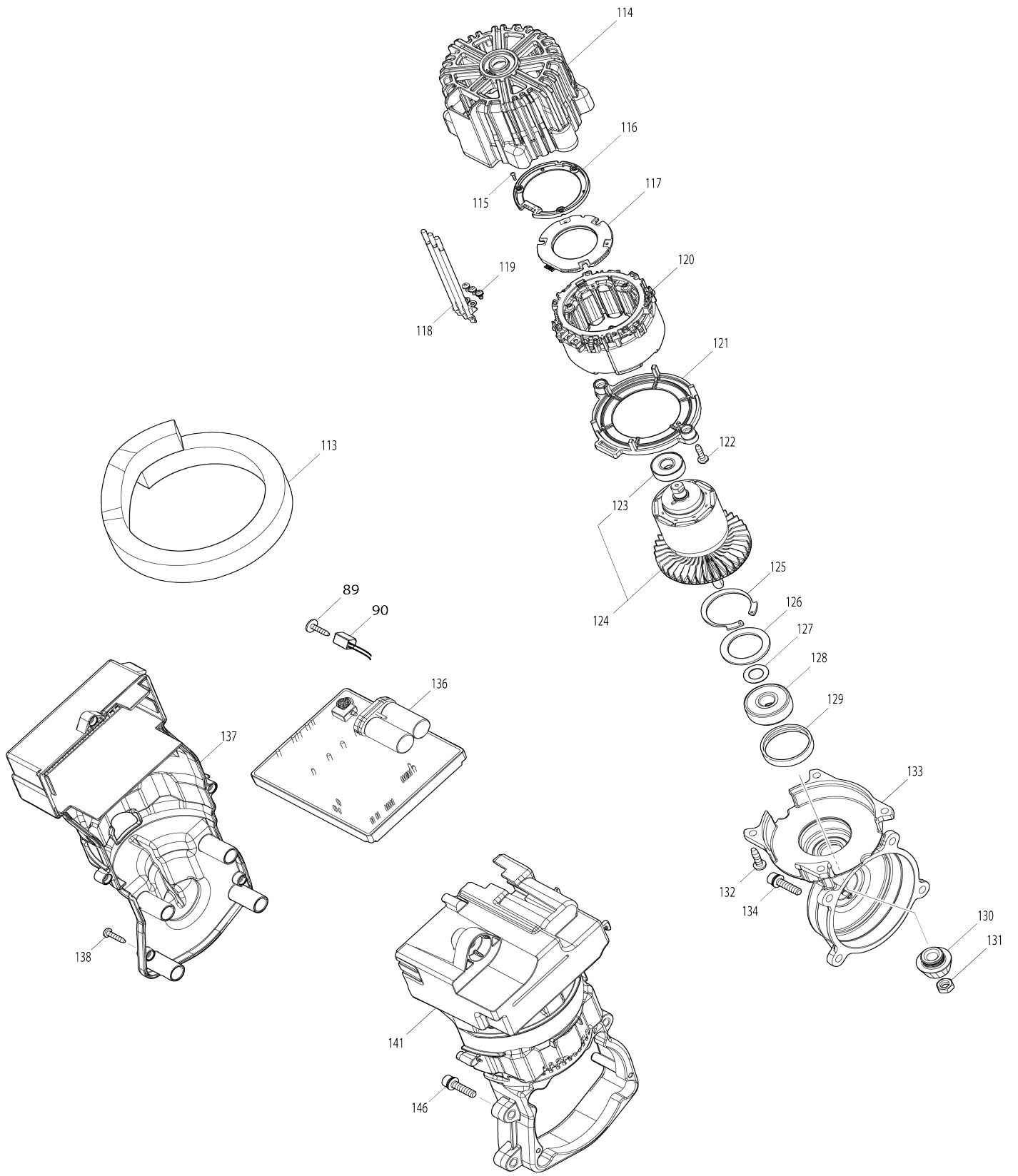
Model No.CE001G 355MM CORDLESS POWER CUTTER



Model No.CE001G 355MM CORDLESS POWER CUTTER



Model No.CE001G 355MM CORDLESS POWER CUTTER



043	222202-0	PULLEY 17-54.6		1				
044	347918-7	PULLEY PLATE 59		1				
045	265C27-7	HEX.BOLT M8X30		1	*			
045-1	265D39-6	HEX.BOLT M8X30	<	1				
046	312C35-0	SPRING HOLDER C		1				
047	922343-9	H.S.H.BOLT M6X25 WITH WR		1				
048	922233-6	H.S.H.BOLT M5X20 WITH WR		1				
049	312C33-4	SPRING HOLDER A		1				
050	225106-5	SYNCHRO BELT 15-750		1				
051	141G40-2	BELT COVER COMPLETE		1				
C10	265B09-3	H.S. HEAD BOLT M5X30 WITH W R		3				
052	911118-1	PAN HEAD SCREW M4X12		1				
053	413C66-3	LENS		1				
054	8116C0-0	CE001G NAME PLATE		1				
055	183W18-5	HANDLE SET		1	*			
C10	8040V4-6	XGT LOGO LABEL		1	*			
D10		INC. 95						
055-1	183Y19-5	HANDLE SET	S	1				
C10	8040V4-6	XGT LOGO LABEL		1				
D10		INC. 95						
056	266326-2	TAPPING SCREW 4X18		9				
057	922343-9	H.S.H.BOLT M6X25 WITH WR		1				
058	312C34-2	SPRING HOLDER B		1				
059	232729-2	COMPRESSION SPRING 13		1				
060	141G39-7	SWITCH CIRCUIT COMPLETE		1				
062	413C73-6	LOCK OFF BUTTON		1				
063	232444-8	COMPRESSION SPRING 4		1				
064	232732-3	TORSION SPRING 10		1				
065	413C72-8	SWITCH LEVER		1				
066	632T61-8	SWITCH UNIT		1				
067	266326-2	TAPPING SCREW 4X18		1				
068	413C77-8	LOCK COVER		1				
069	413C76-0	BATTERY ADAPTER LOCK		2				
070	232731-5	LEVER SPRING		1				
071	266326-2	TAPPING SCREW 4X18		2				
072	183U87-4	TERMINAL BOX SET		1				
C10	263005-3	RUBBER PIN 6		4				
D10		INC. 86						
073	8116C7-6	CE001G SERIAL NO. LABEL		1				
074	183U89-0	BATTERY ADAPTER SET		1	*			
D10		INC. 80						
074-1	413C74-4	BATTERY ADAPTER L	X	1				
075	232730-7	COMPRESSION SPRING 5		2				
076	632T08-2	TERMINAL UNIT		1				
077	652031-1	PAN HEAD SCREW M3X6		2				
078	652031-1	PAN HEAD SCREW M3X6		2				
079	632T08-2	TERMINAL UNIT		1				
080	183U89-0	BATTERY ADAPTER SET		1	*			
D10		INC. 74						
080-1	413C75-2	BATTERY ADAPTER R	X	1				
081	232730-7	COMPRESSION SPRING 5		2				

082	413C76-0	BATTERY ADAPTER LOCK		2				
083	232731-5	LEVER SPRING		1				
084	266326-2	TAPPING SCREW 4X18		2				
085	266326-2	TAPPING SCREW 4X18		2				
086	183U87-4	TERMINAL BOX SET		1				
C10	263005-3	RUBBER PIN 6		4				
D10		INC. 72						
087	413C77-8	LOCK COVER		1				
088	266326-2	TAPPING SCREW 4X18		1				
089	265620-9	TAPPING SCREW FLANGE 4X18		1				
090	620H50-3	LED CIRCUIT		1				
091	266021-4	TAPPING SCREW 5X20		2				
092	312C33-4	SPRING HOLDER A		2				
095	183W18-5	HANDLE SET		1	*			
C10	8040V4-6	XGT LOGO LABEL		1	*			
D10		INC. 55						
095-1	183Y19-5	HANDLE SET	S	1				
C10	8040V4-6	XGT LOGO LABEL		1				
D10		INC. 55						
096	422823-0	REAR FOOT		1				
098	413C69-7	HOSE COVER		1	*			
098-1	136926-1	HOSE COVER ASS'Y	S	1				
C10	263005-3	RUBBER PIN 6		2				
099	266326-2	TAPPING SCREW 4X18		2				
100	327928-0	FRONT GRIP 26		1	*			
100-1	327C20-0	FRONT GRIP 26	<	1				
101	266373-3	TAPPING SCREW 5X35		2				
102	413C71-0	SPRING HOLDER D		1				
103	232728-4	COMPRESSION SPRING 12		1				
104	922233-6	H.S.H.BOLT M5X20 WITH WR		2				
105	122B47-7	CASTER ASSEMBRY		1				
106	424788-2	DAMPER		1				
107	312C32-6	STAND SUPPORT		1				
108	266021-4	TAPPING SCREW 5X20		2				
109	422823-0	REAR FOOT		2				
110	347916-1	BOTTOM GUARD		1				
111	922233-6	H.S.H.BOLT M5X20 WITH WR		2				
112	266326-2	TAPPING SCREW 4X18		2				
113	422821-4	SPONGE SHEET		1				
114	413C70-2	MOTOR HOUSING		1				
115	266490-9	TAPPING SCREW PT 2X6		3				
116	687B69-9	STOPPER		1				
117	620E26-2	CONTROLLER B		1				
118	632T58-7	LEAD UNIT		1				
119	652031-1	PAN HEAD SCREW M3X6		3				
120	629A92-2	STATOR		1				
121	459144-7	BAFFLE PLATE		1				
122	266326-2	TAPPING SCREW 4X18		2				
123	210059-1	BALL BEARING 600DDW		1				
124	519717-9	ROTOR ASS'Y		1				
D10		INC. 123						
125	962211-4	RETAINING RING R-42		1				

126	253545-9	FLAT WASHER 28		1					
127	267212-0	FLAT WASHER 12		1					
128	211132-0	BALL BEARING 6301DDW		1					
129	262085-6	RUBBER RING 38		1					
130	227921-3	SPIRAL BEVEL GEAR 15		1					
131	252178-7	HEX. NUT M8-12		1					
132	266021-4	TAPPING SCREW 5X20		4					
133	141G44-4	GEAR HOUSING COMPLETE		1					
134	922343-9	H.S.H.BOLT M6X25 WITH WR		4					
135	213806-9	O RING 90		1					
136	620H49-8	CONTROLLER		1					
137	183U88-2	MOTOR HOUSING COVER SET		1					
D10		INC. 141							
138	266326-2	TAPPING SCREW 4X18		5					
141	183U88-2	MOTOR HOUSING COVER SET		1					
D10		INC. 137							
142	312C34-2	SPRING HOLDER B		2					
143	232729-2	COMPRESSION SPRING 13		2					
146	922343-9	H.S.H.BOLT M6X25 WITH WR		5					
A01	123121-2	COUPLING SLEEVE		1					
A02	191W53-9	RING SET		1					
A03	782037-6	BOX WRENCH 13-19		1					

Please state Parts No. when your order.

Print Date 05/09/2024