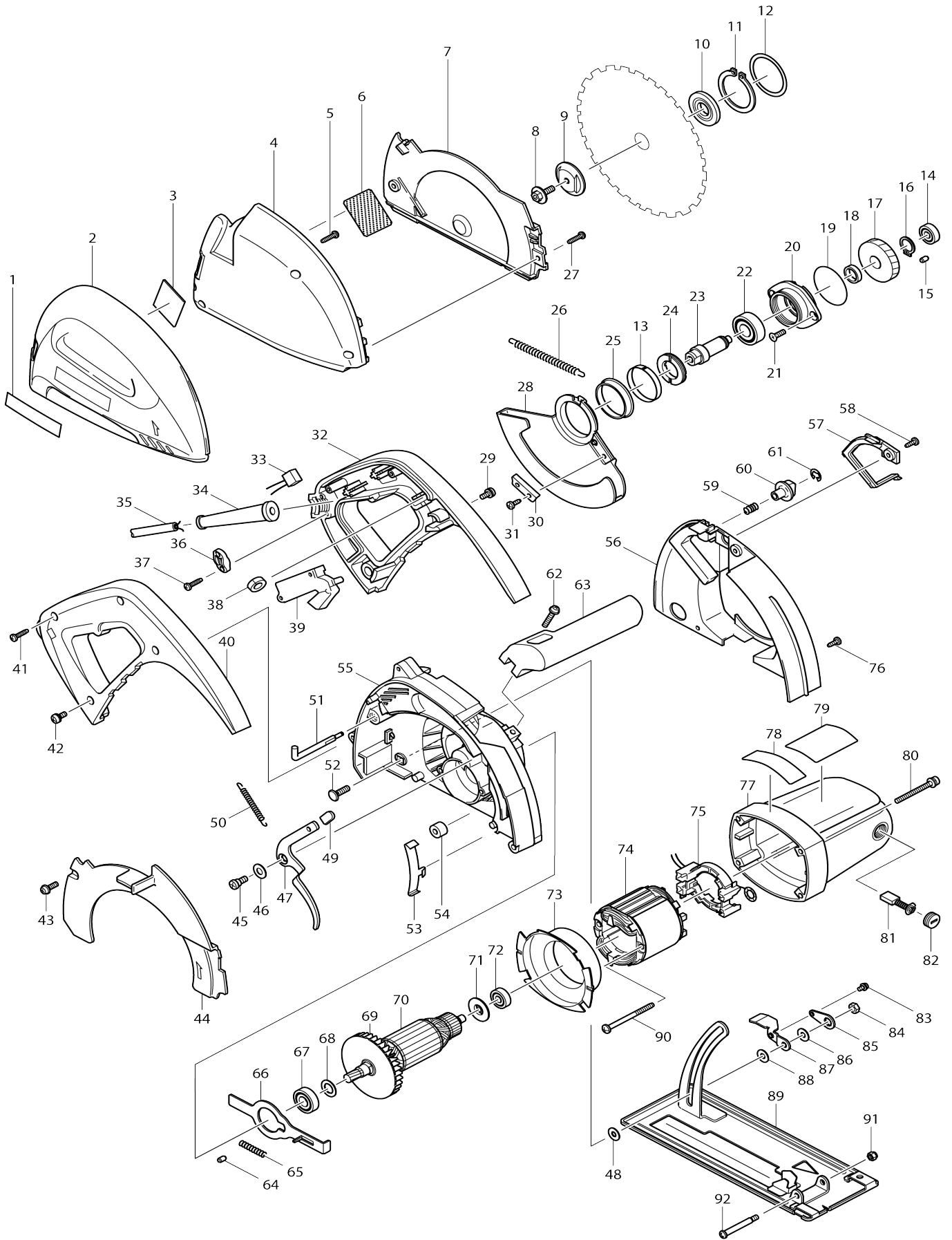


# Model No.4131 METAL CUTTER 185MM



Model No.4131 METAL CUTTER 185MM

Item No.	Parts No.	Description	Interchangability	Q'ty	New/Old	Sales Price (USD)	Purchase Price(USD)	Note1	Note2
001	819064-1	MAKITA MARK		1					
002	183837-1	DUST CASE COVER		1					
C10	810055-5	CAUTION LABEL		1					
D10		INC. 1							
003	431005-3	HEAT RESISTING GLASS		1					
004	317776-5	DUST CASE		1	*				
004-1	312D82-7	DUST CASE	S	1					
005	265995-6	TAPPING SCREW 4X18		2	*				
005-1	265995-6	TAPPING SCREW 4X18	S	1					
006	343760-4	PUNCHING METAL COVER		1					
007	317777-3	DUST PLATE		1					
008-1	266458-5	HEX.SOCKET HEX.BOLT M6X18		1					
009	224366-6	OUTER FLANGE 40		1					
010	224370-5	INNER FLANGE 40		1					
011	961201-4	RETAINING RING S-42		1					
012	267784-5	WASHER 42		1					
013	343759-9	THICKNESS RING		1					
014	211031-6	BALL BEARING 608LLB		1					
015	263002-9	RUBBER PIN 4		1					
016	961055-9	RETAINING RING S-15		1					
017	226591-5	HELICAL GEAR 48		1					
018	257053-2	RING 15		1					
019	213621-1	O RING 46		1					
020	316579-4	BEARING BOX		1					
021	251372-8	+ COUNTERSUNK HEAD SCREW M5X12		2					
022	211228-7	BALL BEARING 6202DDW		1					
023	324475-2	SPINDLE		1					
024	285807-7	BEARING RETAINER 22-36		1					
025	345422-0	SPACER		1	*				
025-1	346880-3	SPACER	<	1					
026	231828-7	TENSION SPRING 4		1	*				
026-1	231891-0	TENSION SPRING 4	<	1					
027	265995-6	TAPPING SCREW 4X18		2					
028	317775-7	SAFETY COVER		1					
029	911213-7	PAN HEAD SCREW M5X12		2					
030	344944-7	SUB PLATE		1					
031	266026-4	TAPPING SCREW BIND CT 4X12		1					
032-1	182648-1	HANDLE SET		1					
D10		INC. 40							
034	682540-6	CORD GUARD 9.3-90		1	*				
034-1	682505-8	CORD GUARD 10-90	O	1					
035	692527-0	POWER SUPPLY CORD 1.0-2-2.5		1					
036	687052-4	STRAIN RELIEF		1					
037	265995-6	TAPPING SCREW 4X18		2					
038	421492-4	SPONGE RING		1					
039	651054-6	SWITCH TG71C-2		1					
040-1	182648-1	HANDLE SET		1					

D10		INC. 32						
041	265995-6	TAPPING SCREW 4X18		2				
042	911213-7	PAN HEAD SCREW M5X12		2				
043	911223-4	PAN HEAD SCREW M5X16		1				
044	317778-1	BLADE COVER		1				
045	251267-5	+ PAN HEAD SCREW M6		1				
046	941201-0	FLAT WASHER 8		1				
047	345421-2	OPEN LEVER		1				
048	253783-3	FLAT WASHER 6		1				
049-1	421903-9	RUBBER CAP		1				
050	231823-7	TENSION SPRING 4		1				
051	324476-0	HOOK		1				
052	266031-1	CAP SQUARE NECK BOLT M6X20		1				
053	343758-1	PROTECTOR		1				
054	262511-5	RUBBER SLEEVE 6		1				
055	153924-0	GEAR HOUSING COMPLETE		1				
D10		INC. 15,64						
056	418612-9	GEAR HOUSING COVER		1				
057	418613-7	LEAD COVER		1				
058	266026-4	TAPPING SCREW BIND CT 4X12		1				
059	231402-1	COMPRESSION SPRING 7		1				
060	271421-5	THUMB PIPE 23		1				
061	961017-7	STOP RING E-3		1				
062	911243-8	PAN HEAD SCREW M5X25		2				
063	415469-9	GRIP		1				
064	263002-9	RUBBER PIN 4		1				
065	233092-6	COMPRESSION SPRING 5		1				
066	343832-5	SHAFT LOCK		1				
067	211131-2	BALL BEARING 6001DDW		1				
068	253744-3	FLAT WASHER 12		1				
069	241876-8	FAN 76		1				
070	513578-9	ARMATURE ASS'Y 220-240V		1				
D10		INC. 67-69,71,72						
071	681634-4	INSULATION WASHER		1				
072	211031-6	BALL BEARING 608LLB		1				
073	415467-3	BAFFLE PLATE		1				
074	634513-5	FIELD 220-240V		1				
075	638358-3	SUPPORT COMPLETE		1				
076	266026-4	TAPPING SCREW BIND CT 4X12		3				
077	159685-0	MOTOR HOUSING COMPLETE		1				
C10	643754-2	BRUSH HOLDER		2				
078	816816-1	INDICATION LABEL		1				
079	860463-0	NAME PLATE 4131		1				
080	911263-2	PAN HEAD SCREW M5X40		4				
081	191963-2	CARBON BRUSH CB-303		1	*			
081-1	194996-6	CARBON BRUSH SET CB-303	O	1				
082	643750-0	BRUSH HOLDER CAP 7-11		2	*			
082-1	643515-0	HOLDER CAP 7-11	O	2				
083	911108-4	PAN HEAD SCREW M4X8		1				
084	252135-5	HEX. NUT		1				
085	341718-7	LOCK PLATE		1				

086	253804-1	FLAT WASHER 6		1				
087	342907-7	LEVER PLATE		1				
088	253804-1	FLAT WASHER 6		1				
089	165387-8	BASE		1				
090	266029-8	TAPPING SCREW 5X65		2				
091	252103-8	HEX. LOCK NUT M5-8		1				
092	265075-8	+ PAN HEAD SCREW M5		1				
A01	192219-6	SAFETY GOGGLE		1	*			
A02	410047-0	WRENCH HOLDER 5.6		1				
A03	783203-8	HEX. WRENCH 5		1				
A04-1	B-04628	CERMET SAW BLADE 185X20X36 T		1				
034	682503-2	CORD GUARD 8-90		1				
035	664250-7	POWER SUPPLY CORD #16-2-2.5		1				
036	687063-9	CORD CLAMP		1				
070	518645-5	ARMATURE ASS'Y 115V		1				
074	634511-9	FIELD 115V		1				

Please state Parts No. when your order.

Print Date 05/09/2024