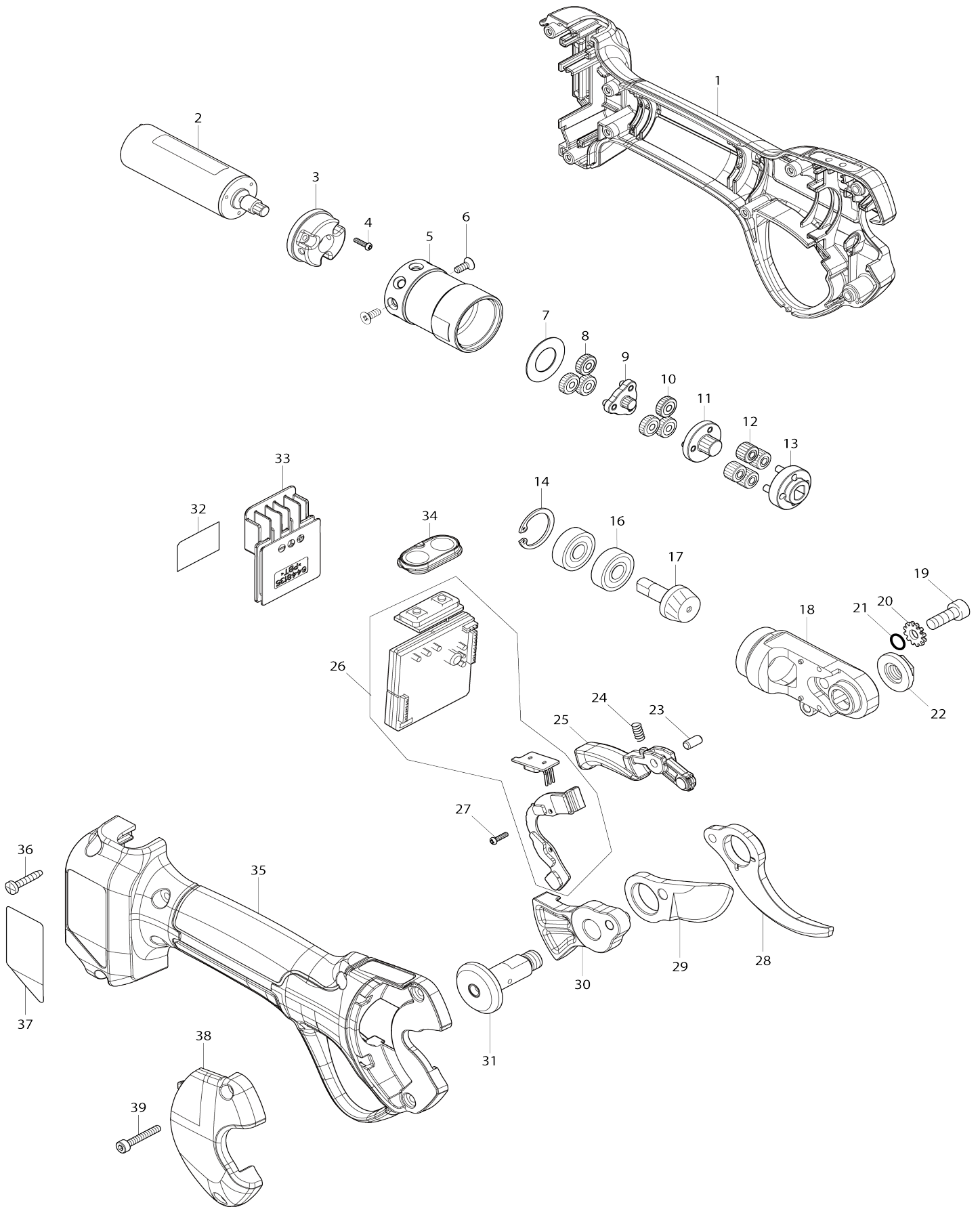


Model No.UP100D Cordless Pruning Shears



Model No.UP100D Cordless Pruning Shears

Item No.	Parts No.	Description	Interchangeability	Q'ty	New/Old	Sales Price (USD)	Purchase Price(USD)	Note1	Note2
001	183Y33-1	Housing set		1	*				
C10	8065E6-9	Indication label		1	*				
C20	8065E7-7	Indication label		1	*				
001		INC. 35			*				
001-1	183Y33-1	Housing set	O	1					
C10	8065E6-9	Indication label		1					
C20	8065E7-7	Indication label		1					
001-1		INC. 35							
002	629C07-1	DC motor		1					
003	312D98-2	Motor holder		1					
004	265D05-3	Pan head screw M2X8		3					
005	227A61-3	Internal gear 43		1					
006	912007-3	Countersunk head screw M3X8		2					
007	253084-9	Flat washer 12		1					
008	227A64-7	Spur gear 17		3					
009	162C36-6	Spur gear 8 B complete		1					
010	227A64-7	Spur gear 17		3					
011	162C37-4	Spur gear 13 complete		1					
012	227A63-9	Spur gear 14		4					
013	162C31-6	Supporter complete		1					
014	962059-4	Retaining ring (INT) R-19		1					
016	210017-7	Ball bearing 607DDW		2					
017	227A60-5	Zerol bevel gear 9		1					
018	327B57-1	Gear housing		1					
019	922217-4	Hex. socket head bolt M5X14		1					
020	253578-4	Lock plate		1					
021	213021-5	O-ring 5		1					
022	252321-8	Hex. nut M8		1					
023	256251-5	Pin 4		1					
024	233033-2	Compression spring 4		1					
025	162C32-4	Trigger complete		1					
026	620K67-4	Controller		1	*				
026-1	620N17-7	Controller	<	1					
027	265D05-3	Pan head screw M2X8		2					
028	1911W1-7	Shear blade L set		1					
029	1911W2-5	Shear blade U set		1					
030	162C33-2	Blade holder complete		1					
031	162C35-8	Shoulder screw M8 complete		1					
032	8586G2-3	Serial No. label UP100D		1					
033	644813-5	Terminal		1					
034	162C34-0	Switch plate complete		1					
C10	8065E5-1	Switch label		1					
035	183Y33-1	Housing set		1	*				
C10	8065E6-9	Indication label		1	*				
C20	8065E7-7	Indication label		1	*				
035		INC. 1			*				
035-1	183Y33-1	Housing set	O	1					

C10	8065E6-9	Indication label		1				
C20	8065E7-7	Indication label		1				
035-1		INC. 1						
036	266130-9	Binding head tapping screw 3X1 6		6				
037	8586U1-3	Name plate UP100D		1				
038	162C42-1	Housing cover complete		1	*			
C10	8065E8-5	Caution label		1	*			
038-1	1410T1-0	Housing cover complete	<	1				
C10	8065E8-5	Caution label		1				
039	265633-0	Hex. socket head bolt M3X20		2				
A01	782212-4	Box wrench 13		1				
A02	783202-0	Hex. wrench 4		1				
A03	783208-8	Hex. wrench 2.5		1				
A04	162C23-5	Holster		1				
A05	1912E4-1	Dressing stone set		1				
A06	182470-6	Oil vessel		1	*			
F01	1911W1-7	Shear blade L set		1				
F04	1916B3-6	Long handle attachment set		1	*			
F04-1	1916B3-6	Long handle attachment set	<	1				
C10	8095H2-7	Caution label		1				

Please state Parts No. when your order.

Print Date 03/25/2026