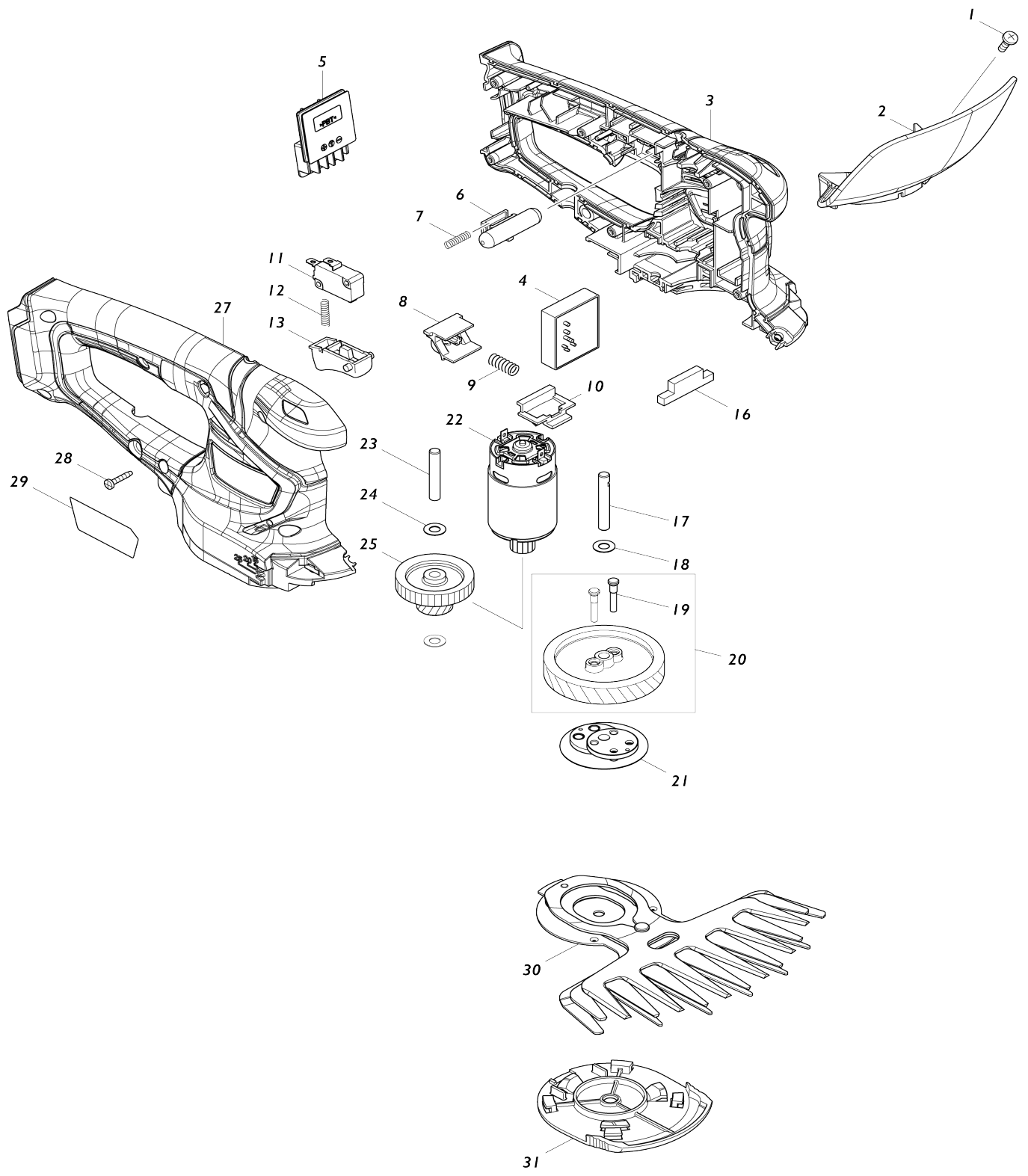


# Model No.UM600D Cordless Grass Shear



# Model No.UM600D Cordless Grass Shear

Item No.	Parts No.	Description	Interchangability	Q'ty	New/Old	Sales Price (USD)	Purchase Price(USD)	Note1	Note2
001	915116-7	Binding head screw M4X12		1					
002	144342-3	Protector complete		1	*				
C10	819948-3	Caution label		1	*				
002-1	140V97-0	Protector complete	<	1	*				
C10	819948-3	Caution label		1	*				
C11	819948-3	Caution label	<	1	*				
002-1 D	140V97-0	Protector complete		1	*				
C10	819948-3	Caution label		1	*				
C11	819948-3	Caution label	<	1	*				
002-2	1410D3-4	Protector complete	O	1					
C12	8072W3-6	Caution label	O	1					
003	183G04-0	Housing set		1	*				
C10	931102-0	Hex. nut M4		1	*				
C20	263002-9	Rubber pin 4		2	*				
C30	346275-0	Plate		2	*				
003		INC. 27			*				
003-1	183U51-5	Housing set	S	1					
C10	931102-0	Hex. nut M4		1					
C20	263002-9	Rubber pin 4		2					
C30	346275-0	Plate		2					
003-1		INC. 27							
003-1 D	183U51-5	Housing set		1					
C10	931102-0	Hex. nut M4		1					
C20	263002-9	Rubber pin 4		2					
C30	346275-0	Plate		2					
003-1 D		INC. 27							
004	632K10-1	Controller unit		1	*				
004-1	632R77-1	Controller unit	<	1					
C20	654086-2	Receptacle 42486-2		2					
004-1 D	632R77-1	Controller unit		1					
C20	654086-2	Receptacle 42486-2		2					
005	644813-5	Terminal		1					
006	452438-9	Lock off button		1	*				
006-1	413A16-6	Lock off button	S	1					
006-1 D	413A16-6	Lock off button		1					
007	231473-8	Compression spring 4		1					
008	457534-8	Slide plate		1					
009	234339-1	Compression spring 6		1					
010	454879-5	Lock lever		1					
011	650744-8	Switch D3V-16-3C26		1					
012	231473-8	Compression spring 4		1					
013	417564-1	Switch lever		1					
016	451814-4	Dust guard		1					
017	268254-7	Pin 6		1					

018	253715-0	Flat washer 6		1				
019	268256-3	Flat fillister HD. pin 4		2				
020	135883-0	Helical gear 47 assembly		1				
020		INC. 19						
021	161598-3	Crank complete		1				
022	629258-8	DC motor		1				
023	268076-5	Pin 6		1				
024	253715-0	Flat washer 6		2				
025	226831-1	Gear 12-31		1				
027	183G04-0	Housing set		1	*			
C10	931102-0	Hex. nut M4		1	*			
C20	263002-9	Rubber pin 4		2	*			
C30	346275-0	Plate		2	*			
027		INC. 3			*			
027-1	183U51-5	Housing set	S	1				
C10	931102-0	Hex. nut M4		1				
C20	263002-9	Rubber pin 4		2				
C30	346275-0	Plate		2				
027-1		INC. 3						
027-1 D	183U51-5	Housing set		1				
C10	931102-0	Hex. nut M4		1				
C20	263002-9	Rubber pin 4		2				
C30	346275-0	Plate		2				
027-1 D		INC. 3						
028	266429-2	Binding head tapping screw 3X1 6		6				
029	852Y86-8	Name plate UM600D		1				
030	195176-7	Shear blade assembly set		1	*			
C10	188369-3	Oil vessel set		1	*			
030-1	195267-4	Shear blade assembly set	<	1	*			
C10	188369-3	Oil vessel set		1	*			
030-2	195267-4	Shear blade assembly set	O	1				
C10	188369-3	Oil vessel set		1				
030-2 D	195267-4	Shear blade assembly set		1				
C10	188369-3	Oil vessel set		1				
031	140451-6	Under cover complete		1				
A01	452055-5	Blade cover		1				
A02	457426-1	Grass receiver 160		1				
A03D	198408-1	Shear blade assembly 200S set		1				
C10	188369-3	Oil vessel set		1				
A04D	198401-5	Chip receiver set		1				
A05D	195274-7	Blade cover set		1				
C10	452198-3	Storage case		1				
A06	456128-6	Battery cover		2				
A07	***DC10WD	DC10WD BATTERY CHARGER		1				
A07		COMPO-PARTS						
A08B	197393-5	Battery BL1016 set		2	*			
A08C	197396-9	Battery BL1021B set		2	*			
A08-1 B	199291-9	Battery BL1016 set	<	2	*			

A08-1 C	199290-1	Battery BL1021B set	<	2	*				
A08-2 B	199291-9	Battery BL1016 set	<	2					
A08-2 C	199290-1	Battery BL1021B set	<	2					
F02-1	195267-4	Shear blade assembly set	O	1					
F03	195274-7	Blade cover set		1					
F04	195275-5	Blade cover set		1	*				
F07	198401-5	Chip receiver set		1					
F09	198408-1	Shear blade assembly 200S set		1					
F12	198516-8	Long handle attachment set		1					

Please state Parts No. when your order.

Print Date 03/25/2026