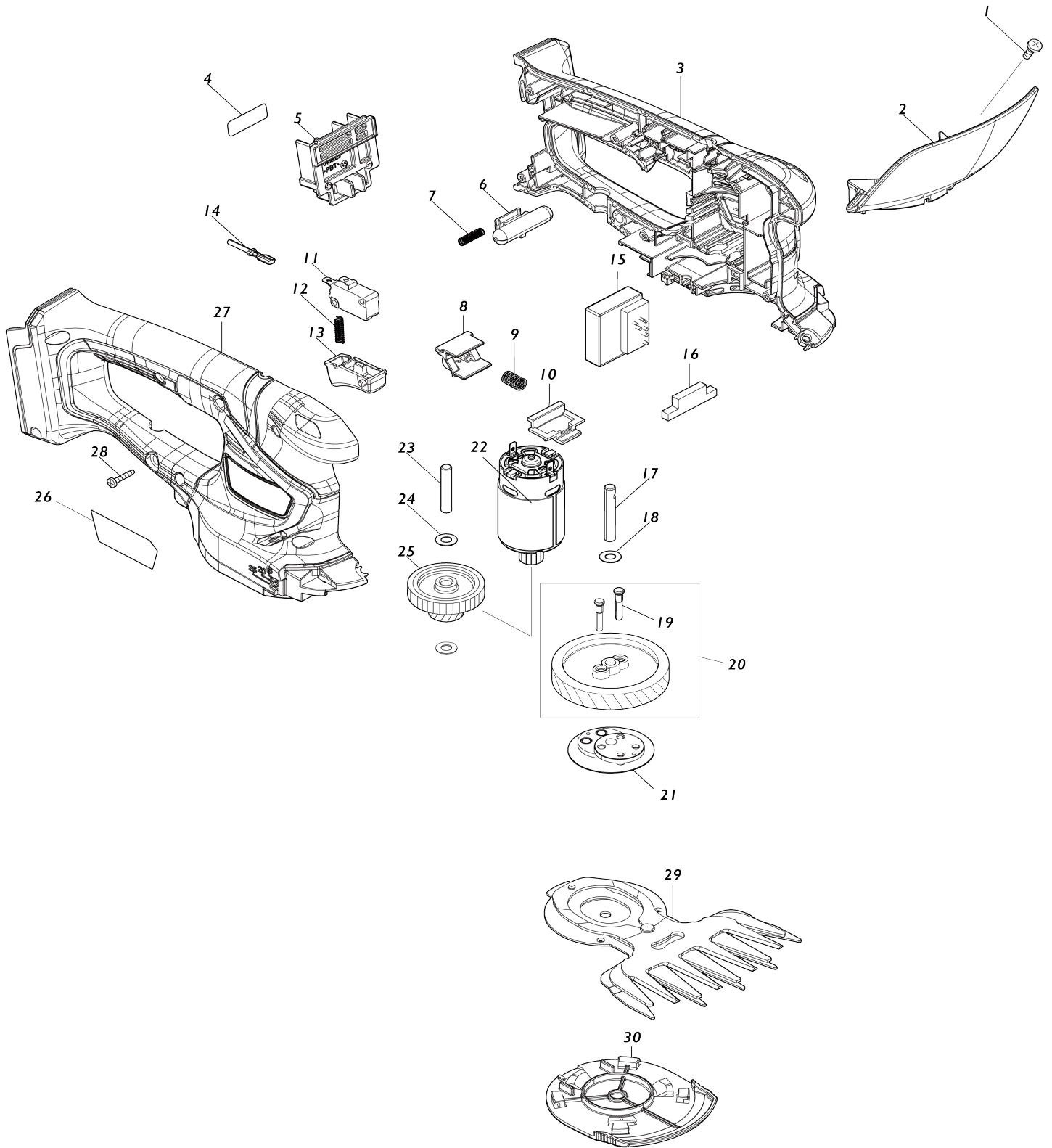


Model No.UM110D Cordless Grass Shear



Model No.UM110D Cordless Grass Shear

Item No.	Parts No.	Description	Interchangeability	Q'ty	New/Old	Sales Price (USD)	Purchase Price(USD)	Note1	Note2
001	915116-7	Binding head screw M4X12		1					
002A	141C31-9	Protector complete		1	*				
C10	8030K3-8	Caution label		1	*				
002-1 A	140V97-0	Protector complete	<	1	*				
C10	819948-3	Caution label		1	*				
C11	819948-3	Caution label	<	1	*				
002-1 B	140V97-0	Protector complete		1	*				
C10	819948-3	Caution label		1	*				
C11	819948-3	Caution label	<	1	*				
002-2	1410D3-4	Protector complete	O	1					
C12	8072W3-6	Caution label	O	1					
003	183G07-4	Housing set		1	*				
C10	931102-0	Hex. nut M4		1	*				
C20	346275-0	Plate		2	*				
003		INC. 27			*				
003-1	183U49-2	Housing set	S	1					
C10	931102-0	Hex. nut M4		1					
C20	346275-0	Plate		2					
003-1		INC. 27							
004	811935-8	Serial No. label UM110D		1					
005	643862-9	Terminal		1					
006	452438-9	Lock off button		1	*				
006-1	413A16-6	Lock off button	S	1					
007	231473-8	Compression spring 4		1					
008	454878-7	Slide plate		1					
009	234339-1	Compression spring 6		1					
010	454879-5	Lock lever		1					
011	650744-8	Switch D3V-16-3C26		1					
012	231473-8	Compression spring 4		1					
013	417564-1	Switch lever		1					
014	632519-1	Lead unit		1					
015	620E39-3	Controller		1					
016	451814-4	Dust guard		1					
017	268254-7	Pin 6		1					
018	253715-0	Flat washer 6		1					
019	268256-3	Flat fillister HD. pin 4		2					
020	135883-0	Helical gear 47 assembly		1					
020		INC. 19							
021	161598-3	Crank complete		1					
022	629943-3	DC motor		1					
023	268076-5	Pin 6		1					
024	253715-0	Flat washer 6		2					
025	226831-1	Gear 12-31		1					
026	811932-4	Name plate UM110D		1					
027	183G07-4	Housing set		1	*				
C10	931102-0	Hex. nut M4		1	*				

C20	346275-0	Plate		2	*			
027		INC. 3			*			
027-1	183U49-2	Housing set	S	1				
C10	931102-0	Hex. nut M4		1				
C20	346275-0	Plate		2				
027-1		INC. 3						
028	266429-2	Binding head tapping screw 3X1 6		6				
029	191N23-4	Shear blade assembly 110 set		1	*			
C10	188369-3	Oil vessel set		1	*			
029-1	191N23-4	Shear blade assembly 110 set	O	1				
C10	188369-3	Oil vessel set		1				
030	140451-6	Under cover complete		1				
A01	191N24-2	Shear blade assembly 200S set		1				
C10	188369-3	Oil vessel set		1				
A02	413885-9	Blade cover 110		1				
A03	413429-5	Storage cover		1				
A04	458342-0	Blade cover		1				
A05	452652-7	Battery cover		1				
A06A	***DC18WA	DC18WA BATTERY CHARGER		1				
A06A		COMPO-PARTS						
A06B	***DC18WB	DC18WB BATTERY CHARGER		1				
A07	198186-3	Battery BL1815G set		1	*			
A07-1	198186-3	Battery BL1815G set	<	1				
F01	191N23-4	Shear blade assembly 110 set		1				
F02	191N24-2	Shear blade assembly 200S set		1				
F03	191N25-0	Grass receiver 110 set		1				
C10	454880-0	Grass receiver 110		1				
F04	195267-4	Shear blade assembly set		1				
F06	198401-5	Chip receiver set		1				
F07	198408-1	Shear blade assembly 200S set		1				
F08	198412-0	Grass receiver 160 set		1				
C10	457426-1	Grass receiver 160		1				

Please state Parts No. when your order.

Print Date 03/12/2026