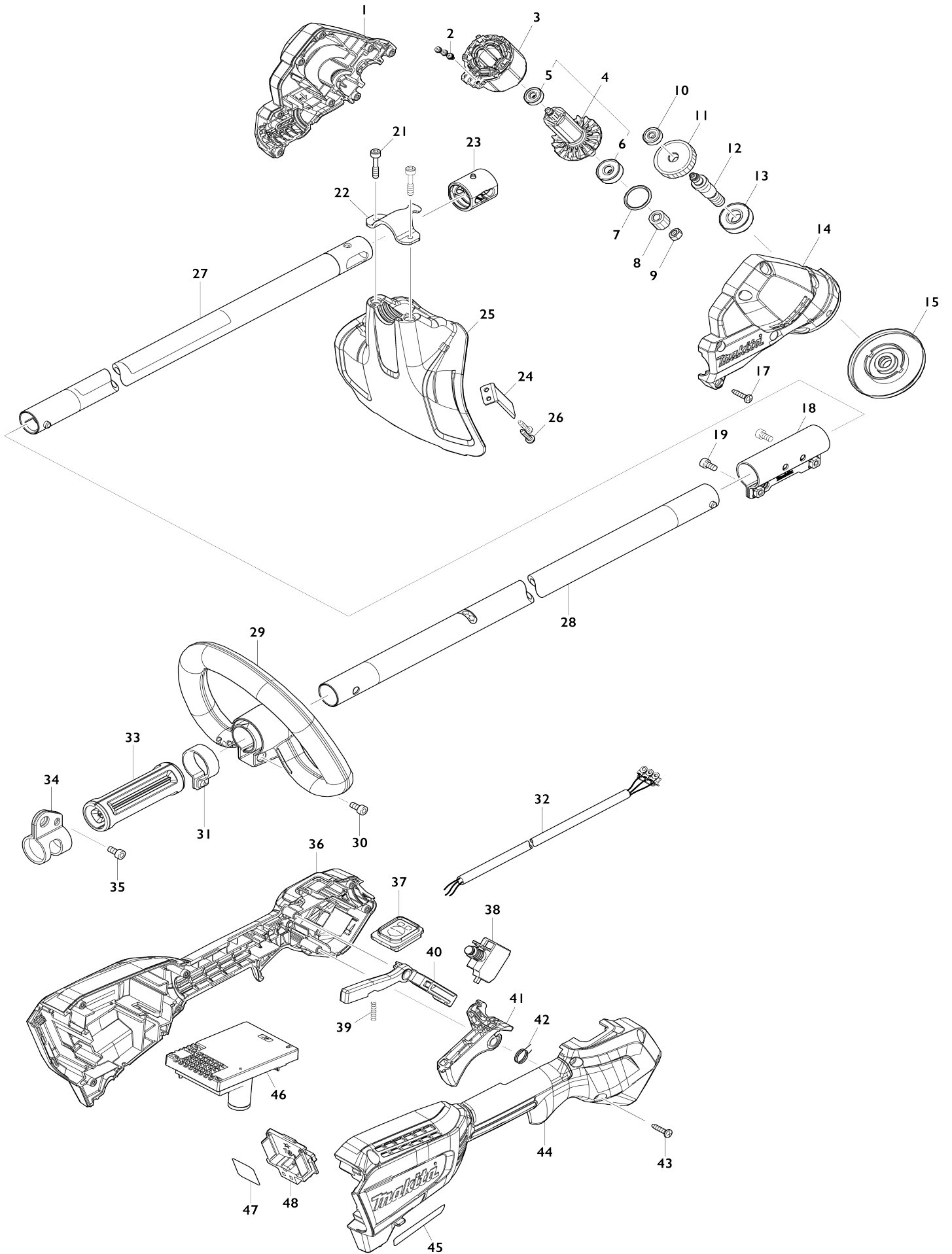


Model No.DUR192L Cordless Grass Trimmer



Model No.DUR192L Cordless Grass Trimmer

Item No.	Parts No.	Description	Interchangeability	Q'ty	New/Old	Sales Price (USD)	Purchase Price(USD)	Note1	Note2
001	183R54-1	Motor housing set		1					
001		INC. 14							
002	652069-6	Flat head screw M3X6		3					
003	629A22-3	Stator		1					
004	519643-2	Rotor assembly		1					
004		INC. 5,6							
005	210235-7	Ball bearing 625ZZ		1					
006	210236-5	Ball bearing 627ZZ		1					
007	213843-3	O-ring 21		1	*				
007-1	213925-1	O-ring 21	O	1					
008	227831-4	Helical gear 11		1	*				
008-1	227883-5	Helical gear 11	<	1	*				
008-2	227831-4	Helical gear 11	O	1					
009	931302-2	Hex. nut M6		1					
010	210235-7	Ball bearing 625ZZ		1					
011	227830-6	Helical gear 32		1					
012	327678-7	Cutter shaft		1					
013	210216-1	Ball bearing 6001DDW		1					
014	183R54-1	Motor housing set		1					
014		INC. 1							
015	140W47-1	Receive washer complete		1					
C10	213134-2	O-ring 11		1	*				
C11	213A62-7	O-ring 11	O	1					
017	266326-2	Binding head tapping screw 4X18		8					
018	347747-8	Joint 24		1					
019	922207-7	Hex. socket head bolt M5X10		2					
021	251513-6	Hex. socket head bolt M5X25		2					
022	347667-6	Protector clamp		1					
023	424567-8	Rubber sleeve 24		1					
024	346855-2	Cutter		1					
025	412580-8	Protector N 330		1					
026	266326-2	Binding head tapping screw 4X18		2					
027	140W46-3	Pipe complete C		1					
C10	8023L9-8	Caution label		1					
C20	819312-8	Makita logo label		1					
028	140W45-5	Pipe complete B		1					
C10	808723-2	Caution label		1					
029	457937-6	Loop handle 24		1	*				
029-1	413L67-5	Loop handle 24	O	1					
030	922212-4	Hex. socket head bolt M5X12		1					
031	347011-7	Pipe clamp 29		1					
032	699157-8	Power supply cord unit		1					
034	347116-3	Hanger		1					
035	922212-4	Hex. socket head bolt M5X12		1					
036	183R55-9	Grip housing set		1					
C10	263005-3	Rubber pin 6		3					

036		INC. 44						
037	140W41-3	Switch circuit complete		1				
C10	8007N9-0	Switch label		1				
038	651494-8	Switch C3JW-1A-PA-2		1				
039	233101-1	Compression spring 4		1				
040	412863-6	Lock off lever		1				
041	459758-2	Switch lever		1				
042	233622-3	Torsion spring 12		1				
043	266326-2	Binding head tapping screw 4X18		8				
044	183R55-9	Grip housing set		1				
C10	263005-3	Rubber pin 6		3				
044		INC. 36						
045	857T44-9	Name plate DUR192L		1				
046	620D78-7	Controller		1				
047	857T51-2	Serial No. label DUR192L		1				
048	644809-6	Terminal		1				
A01	198892-0	Cutter assembly 95-M10L set M		1	*			
A01-1	1915D8-4	Trimmer head assembly 98-M10L	O	1				
A02	127508-0	Band assembly		1				
A03	783202-0	Hex. wrench 4		1				
A04	195246-2	Safety goggle set		1	*			
A05B	***DC18SD	DC18SD BATTERY CHARGER		1	*			
A05B		COMPO-PARTS			*			
A05-1 B	***DC18SD	DC18SD BATTERY CHARGER	O	1				
A05-1 B		COMPO-PARTS						
A06B	197280-8	Battery BL1850B set		1				
A07B	450128-8	Battery cover		1				
F03	197472-9	Nylon cord 2.0-15M set		1				
F04	197473-7	Nylon cord 2.0-30M set		1				
F05	197474-5	Nylon cord 2.0-160M set		1				
F06	197475-3	Nylon cord 2.0-280M set		1				
F47	1915D8-4	Trimmer head assembly 98-M10L		1				
F48	1914R8-6	Trimmer head assembly 98-M10L		1				

Please state Parts No. when your order.

Print Date 03/12/2026