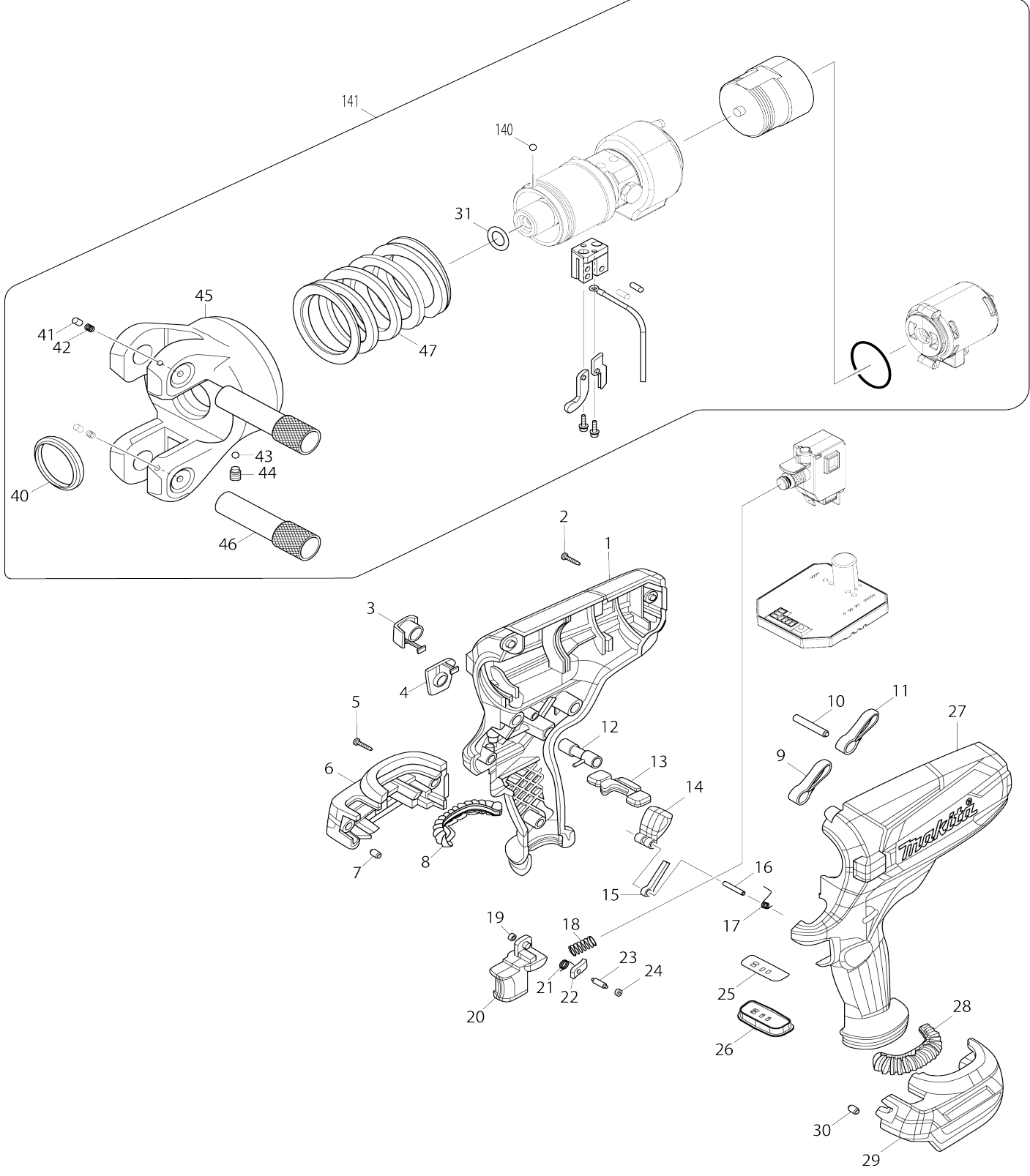
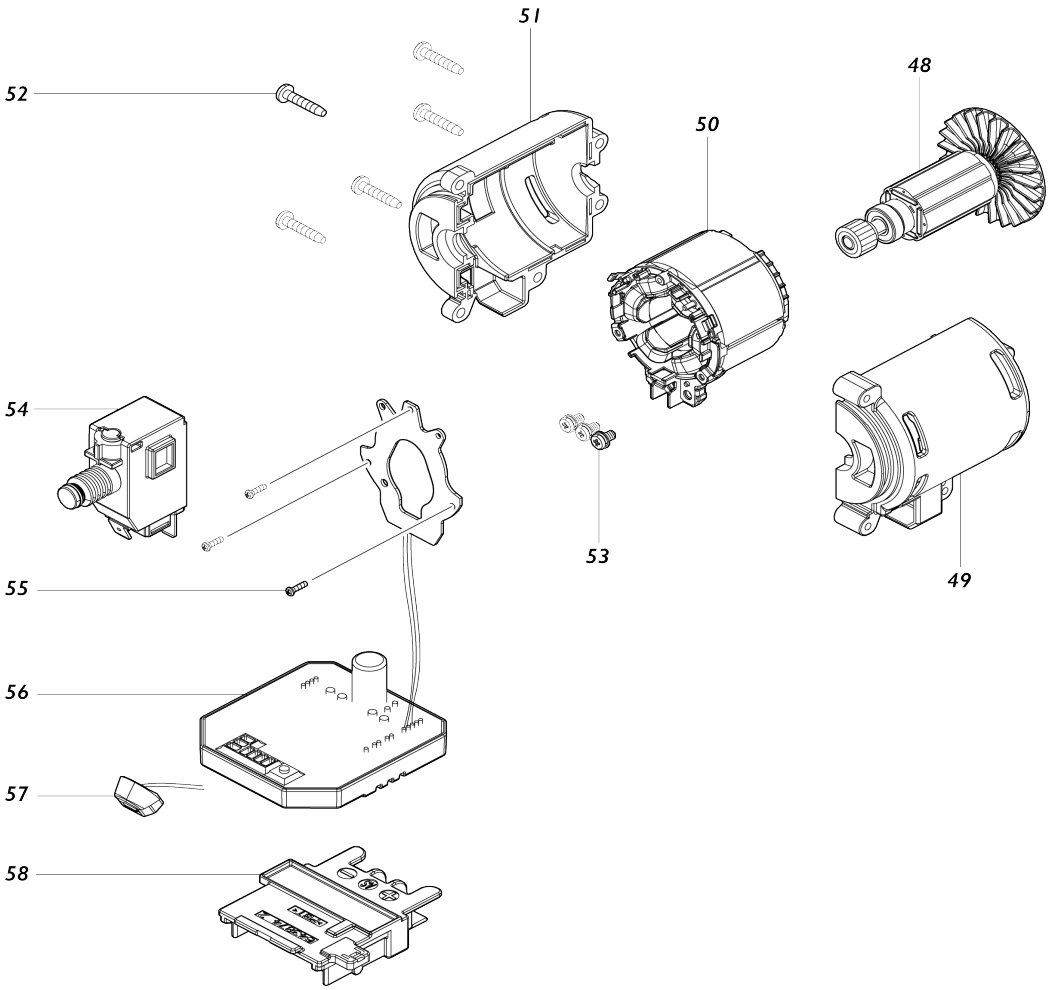


Model No.DTC300 Cordless Crimper



Model No.DTC300 Cordless Crimper



Model No.DTC300 Cordless Crimper

ទំនាក់ ញាស់ខេ	ផ្ទៃកែលម្អ	កំរិតពណ៌នា	ភ័ព្វ ផ្ទៃ លំដាប់ ប្រភេទ របស់ ១	ចំនួន	ថ្លៃ/ចំនួន	តម្លៃលើក (USD)	តម្លៃទំនាក់ (USD)	ចំណាត់	ចំណាត់
001	183M79.5	ឈ័ត្តសម្រប		1					
001		INC. 27							
002	ZM00000028	TAPPING SCREW 4X16		6					
003	ZM00000008	ADJUSTMENT CAP		1					
004	ZM00000001	RELEASE CHANGE CAP		1					
005	ZM00000028	TAPPING SCREW 4X16		2					
006	183M77.9	សម្របកង្កែប		1					
006		INC. 7,29,30							
007	263005.3	កន្លែងស្រោច 6		1					
008	424773.5	កង្កែបប្រភេទ		1	*				
008.1	422A56.3	កង្កែបប្រភេទ	<	1					
009	ZM00000015	STRAP RING		1					
010	ZM00000014	PIN 4X20		1					
011	ZM00000015	STRAP RING		1					
012	ZM00000013	CHANGE PIN		1					
013	ZM00000018	TRIGGER LOCK LEVER		1					
014	ZM00000009	LOCK RELEASE LEVER		1					
015	ZM00000010	SUPPORTER		1					
016	ZM00000012	PIN 3X22		1					
017	ZM00000011	TORSION SPRING (719)		1					
018	ZM00000005	COMPRESSION SPRING (565)		1					
019	ZM00000007	STOP RING E3		1					
020	ZM00000002	TRIGGER		1					
021	ZM00000006	TORSION SPRING (720)		1					
022	ZM00000003	RATCHET		1					
023	ZM00000004	PIN (280)		1					
024	ZM00000007	STOP RING E3		1					
025	ZM00000184	SWITCH LABEL		1					
026	ZM00000016	SWITCH PLATE		1					
027	183M79.5	ឈ័ត្តសម្រប		1					
027		INC. 1							
028	424773.5	កង្កែបប្រភេទ		1	*				
028.1	422A56.3	កង្កែបប្រភេទ	<	1					
029	183M77.9	សម្របកង្កែប		1					
029		INC. 6,7,30							
030	263005.3	កន្លែងស្រោច 6		1					
031	ZM00000103	O-RING P10		1					
039	ZM00000043	GEAR ASSY		1					
039		INC. 139							
040	ZM00000036	SCRAPER		1					
041	ZM00000032	STOPPER PIN		2					
042	ZM00000031	COMPRESSION SPRING (140)		2					
043	ZM00000034	STEEL BALL 1/8		1					
044	ZM00000035	HEX. SOCKET SET BOLT M5X6		1					
045	ZM00000030	CYLINDER HEAD		1					
046	ZM00000033	SLIDE PIN		2					
047	ZM00000029	COMPRESSION SPRING (700)		1					

048	619585.1	រ៉ូតទ័រ		1				
049	183M78.7	ឈ័តប័រអប័ម័ទ័រ		1				
049		INC. 51						
050	629442.5	ស័ដ័ទ័រ		1				
051	183M78.7	ឈ័តប័រអប័ម័ទ័រ		1				
051		INC. 49						
052	266429.2	វ័សក័ប័លឡស័ម័នក 3X16		5				
053	652069.6	វ័ស M3X6		3				
054	651397.6	ក័ងត័ក័ C3JW.6CM.PN		1				
055	266490.9	វ័ស 2X6		3				
056	620B78.5	ដ័បញ័ជ័		1				
057	620521.2	សត្រ័វ័ Led		1				
058	643874.2	ដ័ម័ណ័		1				
139	ZM00000104	O-RING S36		1				
140	ZM00000034	STEEL BALL 1/8		1				
141	ZM00000126	OIL UNIT ASSY		1				
141		INC. 1,27,31,40.47,140			*			
141		INC. 1,27,31,39.47,140						
F01	A.69521	CU DIE 8.14		1				
F02	A.69537	CU DIE 22.38		1				
F03	A.69543	CU DIE 45.70		1				
F04	A.69559	CU DIE 75.100		1				
F05	A.69565	CU DIE 110.125		1				
F06	A.69571	CU DIE 150		1				
F07	A.69587	CU DIE 180.200		1				
F08	A.69406	T DIE 11		1				
F09	A.69412	T DIE 16		1				
F10	A.69428	T DIE 20		1				
F11	A.69434	T DIE 26		1				
F12	A.69440	T DIE 44		1				
F13	A.69456	T DIE 60		1				
F14	A.69462	T DIE 76		1				
F15	A.69478	T DIE 98		1				
F16	A.69484	T DIE 122		1				
F17	A.69490	T DIE 154		1				
F18	A.69509	T DIE 190		1				
F19	A.69515	T DIE 240		1				
F20	A.69397	YOKE FOR COMPRESSION DIE		1				
F21	A.69593	CABLE CUTTER		1				
F22	161347.8	ខ័ស័ស័ព័យស័ម័		1				
F23	A.69381	CRIMP DIE		1				
F24	A.69250	PUSHED DIE 14		1				
F25	A.69266	PUSHED DIE 22		1				
F26	A.69272	PUSHED DIE 38.70		1				
F27	A.69288	PUSHED DIE 80.150		1				
F28	A.69294	PUSHED DIE 200		1				
F29	A.69303	PUSHED DIE 250		1				
F30	A.69375	CRIMP YOKE 14.150		1				
F31	A.69319	RECIEVED DIE 14.38		1				
F32	A.69325	RECIEVED DIE 60.70		1				
F33	A.69331	RECIEVED DIE 80.100		1				

F34	A.69347	RECIEVED DIE 150		1					
F35	A.69353	RECIEVED DIE 200		1					
F36	A.69369	RECIEVED DIE 250		1					

សូមបញ្ជាក់លេខផ្នែកនៅពេលបញ្ជូនទិញ

បោះពុម្ពកាលបរិច្ឆេទ 03/11/2026