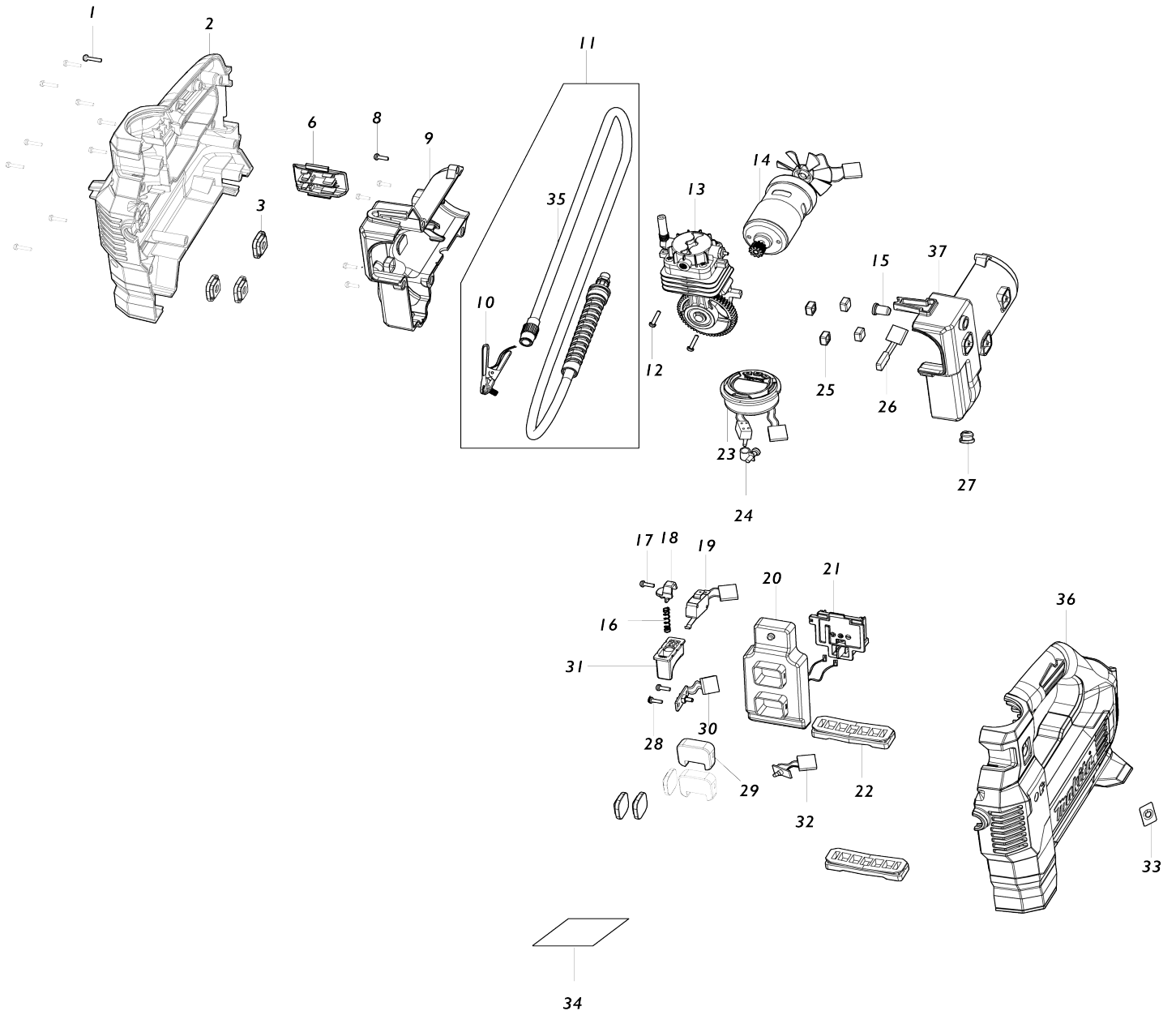


# Model No.DMP181 Cordless Inflator



Model No.DMP181 Cordless Inflator

Item No.	Parts No.	Description	Interchangability	Q'ty	New/Old	Sales Price (USD)	Purchase Price(USD)	Note1	Note2
001	TE0000028	TAPPING SCREW 3X14		10					
002	TE00000614	HOUSING SET		1					
002		INC. 33,36							
003	TE00000595	INNER PAD		6					
006	TE00000593	FIXED BRACKET		1					
008	TE00000029	TAPPING SCREW 3X10		5					
009	TE00000596	INNER HOUSING SET		1					
009		INC. 37							
010	TE00000597	BRITISH ADAPTER		1					
011	TE00000598	HOSE ASSEMBLY		1					
011		INC. 10							
012	TE00000624	SCREW 4X6		2					
013	TE00000625	CYLINDER COMPLETE		1					
014	TE00000615	MOTOR ASSEMBLY		1					
015	TE00000600	RELEASE VALVE BUTTON		1					
016	TE00000330	SPRING		1					
017	TE00000029	TAPPING SCREW 3X10		1					
018	TE00000328	TRIGGER SPRING-FIXED BLOCK		1					
019	TE00000601	SWITCH		1	*				
019-1	TE00000601	SWITCH	O	1					
020	TE00000616	CONTROLLER		1					
021	TE00000424	BATTERY TERMINAL		1					
022	TE00000609	MAT		2					
023	TE00000617	DIGITAL DISPLAY		1					
024	TE00000352	CLAMP		1					
025	TE00000606	PAD		4					
026	TE00000607	THERMAL PROTECTOR		1					
027	TE00000604	PLUG		1					
028	TE00000029	TAPPING SCREW 3X10		2					
029	TE00000602	PLATE		2					
030	TE00000608	POWER SWTICH		1					
031	TE00000485	SWITCH TRIGGER		1					
032	TE00000610	LED CIRCUIT		1	*				
032-1	TE00000837	LED CIRCUIT	O	1					
033	TE00000426	SWITCH LABEL		1					
034	TE00000618	NAME PLATE		1					
036	TE00000614	HOUSING SET		1					
036		INC. 2,33							
037	TE00000596	INNER HOUSING SET		1					
037		INC. 9							
038	TE00000850	SPRING		1					
A01	TE00000592	BALL ADAPTER		1					
A02	TE00000333	SWIM RING ADAPTER		1					
A03	TE00000594	FRENCH ADAPTER		1					
F01	TE00000691	AIR CHUCK		1					
F02	TE00000796	AIR CHUCK		1					

Please state Parts No. when your order.

Print Date 03/12/2026