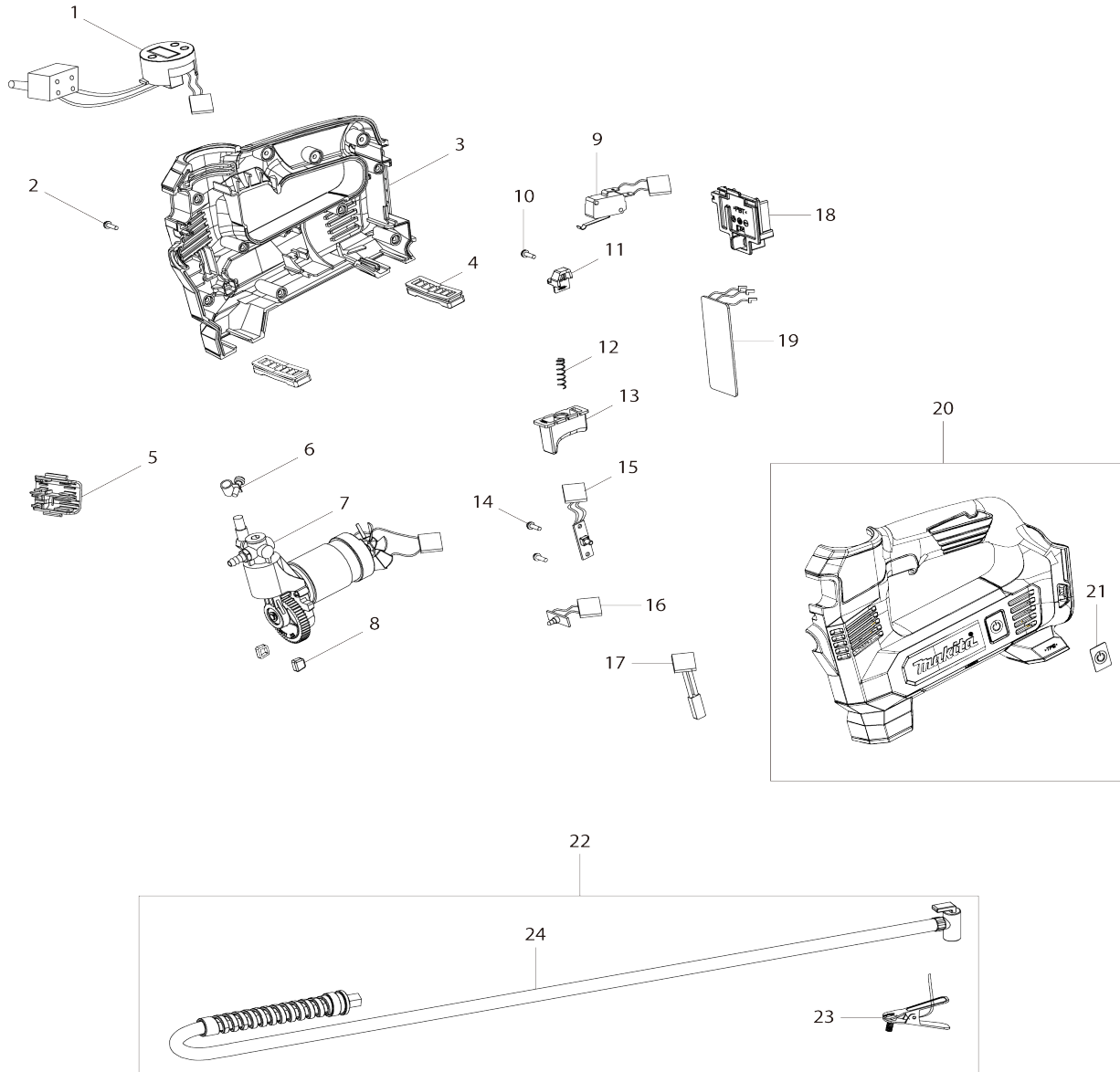


# Model No.DMP180 Cordless Inflator



Model No.DMP180 Cordless Inflator

Item No.	Parts No.	Description	Interchangability	Q'ty	New/Old	Sales Price (USD)	Purchase Price(USD)	Note1	Note2
001	TE00000421	DIGITAL DISPLAY		1	*				
001-1	TE00000630	DIGITAL DISPLAY	O	1					
002	TE00000204	SCREW 3X14		10					
003	TE00000420	HOUSING ASSEMBLY		1	*				
003		INC. 20,21			*				
003-1	TE00000444	HOUSING SET	O	1	*				
003-1		INC. 20,21			*				
003-2	TE00000483	HOUSING SET	O	1					
003-2		INC. 20,21							
004	TE00000338	MAT		2					
005	TE00000422	FIXED BRACKET		1					
006	TE00000352	CLAMP		1					
007	TE00000425	MOTOR ASSEMBLY		1	*				
007-1	TE00000641	MOTOR ASSEMBLY	<	1					
007-1		INC. 22							
008	TE00000339	RUBBER(CYLINDER)		2					
009	TE00000329	SWITCH		1	*				
009-1	TE00000485	SWITCH TRIGGER	O	1	*				
009-2	TE00000329	SWITCH	X	1					
010	TE00000327	SCREW 3*10		1					
011	TE00000328	TRIGGER SPRING-FIXED BLOCK		1					
012	TE00000330	SPRING		1					
013	TE00000331	SWITCH TRIGGER		1	*				
013-1	TE00000485	SWITCH TRIGGER	O	1					
014	TE00000327	SCREW 3*10		2					
015	TE00000341	POWER ON/OFF		1	*				
015-1	TE00000835	POWER ON/OFF	O	1					
016	TE00000342	LED PCB		1	*				
016-1	TE00000836	LED PCB	O	1					
017	TE00000343	TERMINAL PROTECTOR		1					
018	TE00000424	BATTERY TERMINAL		1					
019	TE00000423	PCB		1					
020	TE00000420	HOUSING ASSEMBLY		1	*				
020		INC. 3,21			*				
020-1	TE00000444	HOUSING SET	O	1	*				
020-1		INC. 3,21			*				
020-2	TE00000483	HOUSING SET	O	1					
020-2		INC. 3,21							
021	TE00000426	SWITCH LABEL		1					
022	TE00000345	AIR PIPE ASSEMBLY(6MM)		1					
022		INC. 23							
022A_	TE00000638	AIR PIPE ASSEMBLY(8MM)		1					
022A_		INC. 23							
023	TE00000346	BRITISH ADAPTER		1	*				
023-1	TE00000597	BRITISH ADAPTER	<	1					
A01	TE00000333	SWIM RING ADAPTER		1					
A02	TE00000335	BALL ADAPTER		1	*				

A02-1	TE00000592	BALL ADAPTER	<	1					
A03	TE00000334	FRENCH ADAPTER		1	*				
A03-1	TE00000594	FRENCH ADAPTER	<	1					

Please state Parts No. when your order.

Print Date 03/12/2026