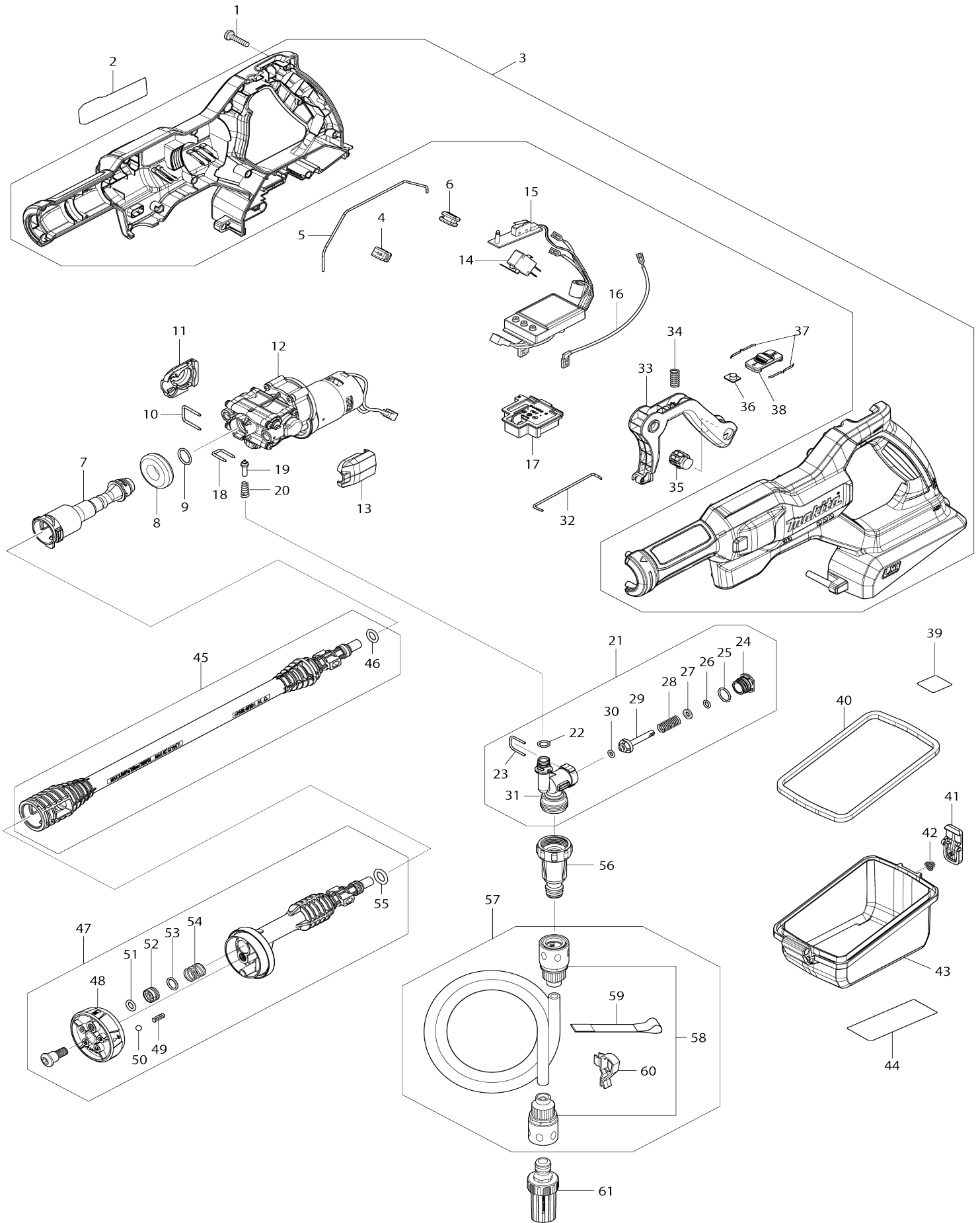


Model No.DHW180 Cordless Pressure Washer



Model No.DHW180 Cordless Pressure Washer

Item No.	Parts No.	Description	Interchangability	Q'ty	New/Old	Sales Price (USD)	Purchase Price(USD)	Note1	Note2
001	LX00000005	TAPPING SCREW ST3X12		15					
002	LX00000006	NAME PLATE EU		1					
003	LX00000071	HOUSING SET		1	*				
C10	263005-3	Rubber pin 6		2	*				
003-1	LX00000088	HOUSING SET	O	1					
C10	263005-3	Rubber pin 6		2					
004	LX00000008	WIRE GROMMET 2 HOLES		1					
005	LX00000009	ROUND SEAL 2X200		1					
006	LX00000010	WIRE GROMMET 4 HOLES		1					
007	LX00000072	OUTLET PIPE COMP.		1					
008	LX00000011	SILICONE RING 17		1					
009	LX00000012	O-RING 15.5X2		1					
010	LX00000013	U TYPE PIN 2.5X18.5		1					
011	LX00000014	PUMP MOUNT PAD		1					
012	LX00000015	MOTOR & PUMP ASSY		1					
C10	LX00000016	MOTOR WITH PINION GRAR COMP.		1	*				
C11	LX00000016	MOTOR WITH PINION GRAR COMP.	O	1					
C20	LX00000017	PAN HEAD SCREW M4X12		2					
013	LX00000014	PUMP MOUNT PAD		1					
014	LX00000018	SWITCH		1					
015	LX00000019	CONTROLLER UNIT		1	*				
015-1	LX00000089	CONTROLLER UNIT	<	1					
016	LX00000020	LEAD UNIT 18AWG 210MM RED		1					
017	644809-6	Terminal		1					
018	LX00000021	U TYPE PIN 2.5X11.5		1					
019	LX00000022	VALVE		1					
020	LX00000023	CONICAL SPRING 7-9X20 INOX		1					
021	LX00000073	INLET VALVE SET		1					
021		INC. 22-31							
022	LX00000024	O-RING 8.6X1.7		1					
023	LX00000025	U TYPE PIN 2X16		1					
024	LX00000026	INLET VALVE PLUG		1					
025	LX00000027	O-RING 12		1					
026	LX00000028	O-RING 5.3		1					
027	LX00000029	PLASTIC WASHER 6		1					
028	LX00000030	COMPRESSION SPRING8.5X39 INOX		1					
029	LX00000031	INLET VALVE STEM		1					
030	LX00000032	O-RING 4.5		1					
031	LX00000033	INLET VALVE BODY		1					
032	LX00000034	LINK ROD		1					
033	LX00000035	TRIGGER		1					
034	LX00000036	COMPRESSION SPRING7.5X25 INOX		1					
035	LX00000037	TRIGGER LOCK		1					
036	LX00000038	INDICATOR LAMP LENS		1					
037	LX00000039	LEAF SPRING INOX		2					

038	LX00000040	SPEED CHANGE LEVER		1				
039	LX00000041	SERIAL NUMBER LABEL		1				
040	LX00000043	BATTERY CASE SEAL RING		1				
041	LX00000044	BATTERY CASE LATCH		1				
042	LX00000045	CONICAL SPRING 5-10X6.3 INOX		1				
043	LX00000046	BATTERY CASE		1				
044	LX00000047	WARNING LABEL		1				
045	LX00000049	EXTENSION PIPE 350MM ASSY		1				
045		INC. 46						
046	LX00000076	O-RING 9.5X2.65		1				
047	LX00000050	5 PATTERNS SPLAYER NOZZLE AS SY		1				
047		INC. 48-55						
048	LX00000077	5 PATTERNS SPLAYER NOZZLE		1				
049	LX00000051	COMPRESSION SPRING5.2X12 IN OX		1				
050	LX00000052	STEEL BALL 7/32"		1				
051	LX00000053	O-RING 7.5X2.5		1				
052	LX00000078	PLASTIC SLEEVE 6		1				
053	LX00000054	O-RING 10.5X1.8		1				
054	LX00000055	COMPRESSION SPRING 14X15 IN OX		1				
055	LX00000076	O-RING 9.5X2.65		1				
056	LX00000056	FILTER ASSY		1				
057	LX00000079	HOSE ASSY 8MMX6M(5/16"X19.7 FT)		1				
057		INC. 58-60						
058	LX00000057	HOSE END CONNECTOR 8MM(5/ 16")		2				
059	LX00000058	HOSE BAND		1				
060	LX00000059	HOSE CLIP		1				
061	LX00000060	STRAINER ASSY		1				
A01	LX00000063	CLEANER PIN 0.6		1				
A02	LX00000001	FOAM NOZZLE		1				
C10	LX00000076	O-RING 9.5X2.65		1				
C20	LX00000064	SPARE BOTTLE		1				
A03	LX00000004	WATER BOTTLE ADAPTER		1				
F01	LX00000002	ANGLE NOZZLE		1				
F02	LX00000003	BRUSH		1				
F03	LX00000001	FOAM NOZZLE		1				
F04	LX00000004	WATER BOTTLE ADAPTER		1				

Please state Parts No. when your order.

Print Date 03/27/2026