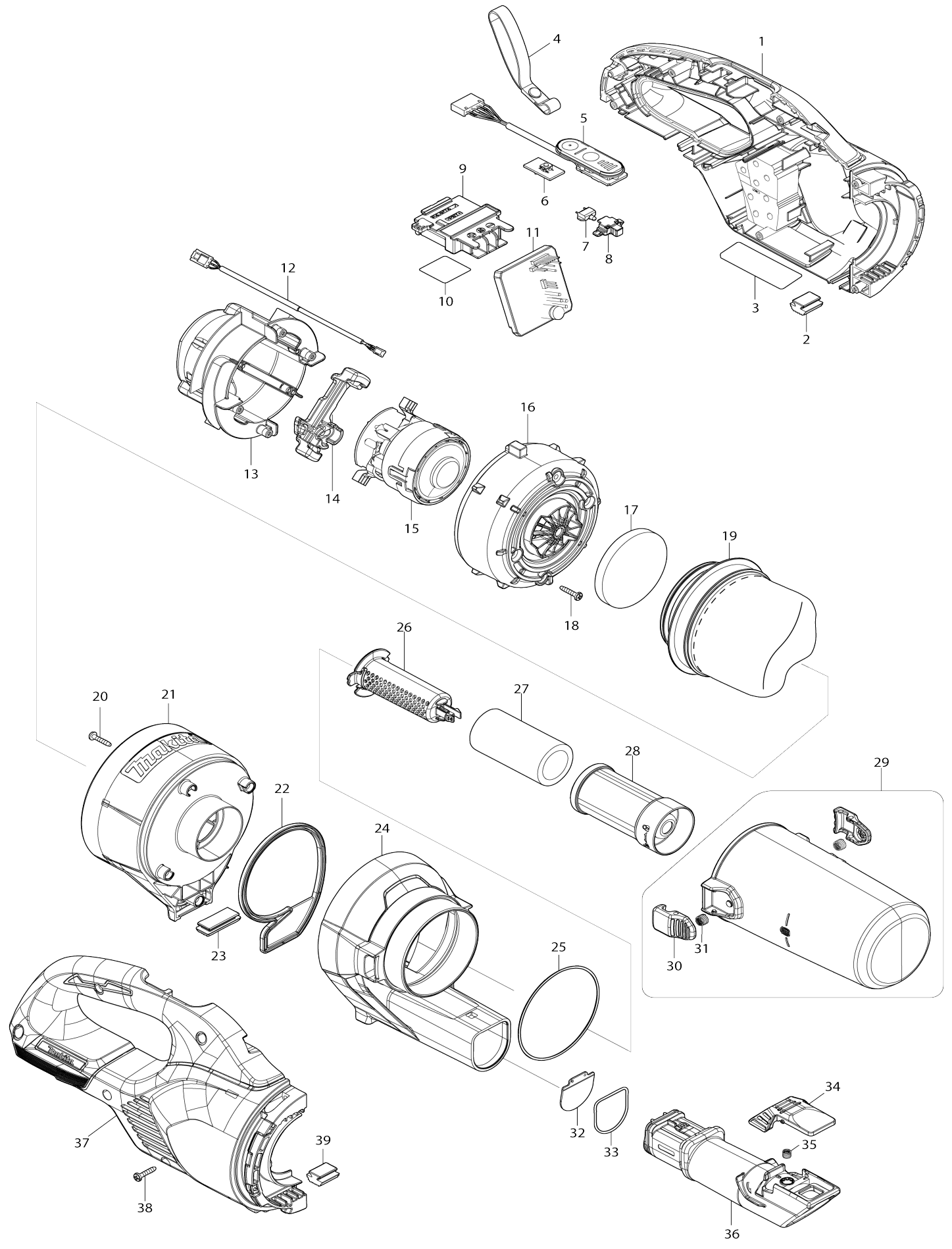


Model No.DCL286F Cordless Cleaner



Model No.DCL286F Cordless Cleaner

Item No.	Parts No.	Description	Interchangability	Q'ty	New/Old	Sales Price (USD)	Purchase Price(USD)	Note1	Note2
001A	183Y66-6	Housing set		1					
C10	263005-3	Rubber pin 6		2					
C20	422974-9	Sponge sheet		2					
001A		INC. 2,37,39							
001B	183Y52-7	Housing set		1					
C10	263005-3	Rubber pin 6		2					
C20	422974-9	Sponge sheet		2					
001B		INC. 2,37,39							
001C	183Y67-4	Housing set		1					
C10	263005-3	Rubber pin 6		2					
C20	422974-9	Sponge sheet		2					
001C		INC. 2,37,39							
002	422460-0	Rubber plate		1					
003	8588M1-9	Name plate DCL286F		1					
004	163400-6	Hand strap		1					
005	141B54-1	Indication circuit complete		1					
006	620E74-1	Switch unit		1					
007	620E82-2	LED circuit		1					
008	141H09-2	LED case complete		1					
009	643874-2	Terminal		1					
010	8588N3-2	Serial No. label DCL286F		1					
011	620L19-1	Controller		1	*				
011-1	620S50-9	Controller	<	1					
012	632S32-9	Lead unit		1					
013	141E55-7	Motor cover R complete		1					
C10	263002-9	Rubber pin 4		4					
014	422723-4	Motor cover seal		1					
015	629B87-1	Motor assembly		1					
016	413645-9	Motor cover F		1					
017	422909-0	Sponge sheet 62		1					
018	266429-2	Binding head tapping screw 3X16		4					
019	1910C7-9	High performance filter set		1					
020	266429-2	Binding head tapping screw 3X16		4					
021A	413H34-6	Filter housing		1					
021B	413H18-4	Filter housing		1					
021C	413H37-0	Filter housing		1					
022	422884-0	Seal		1					
023	422885-8	Rubber plate		1					
024A	413H35-4	Front housing		1					
024B	413H19-2	Front housing		1					
024C	413H38-8	Front housing		1					
025	213884-9	O-ring 72		1					
026	413H21-5	Mesh pipe		1					
027	422908-2	Sponge filter		1					
028	413H29-9	Pre-filter		1					
029	136713-8	Dust box assembly		1					

029		INC. 30,31						
030	459106-5	Stopper		2				
031	232460-0	Compression spring 7		2				
032	422886-6	Valve		1				
033	213837-8	O-ring 29		1				
034	413H20-7	Lever		1				
035	232485-4	Compression spring 5		1				
036A	413H36-2	Inlet		1				
036B	413H25-7	Inlet		1				
036C	413H39-6	Inlet		1				
037A	183Y66-6	Housing set		1				
C10	263005-3	Rubber pin 6		2				
C20	422974-9	Sponge sheet		2				
037A		INC. 1,2,39						
037B	183Y52-7	Housing set		1				
C10	263005-3	Rubber pin 6		2				
C20	422974-9	Sponge sheet		2				
037B		INC. 1,2,39						
037C	183Y67-4	Housing set		1				
C10	263005-3	Rubber pin 6		2				
C20	422974-9	Sponge sheet		2				
037C		INC. 1,2,39						
038	266429-2	Binding head tapping screw 3X1 6		7				
039	422460-0	Rubber plate		1				
A01A	127827-4	Nozzle assembly		1	*			
C10	268208-4	Pin 3		4	*			
C20	451410-8	Roller		4	*			
C30	422963-4	Wiper		1	*			
A01B	127825-8	Nozzle assembly		1	*			
C10	268208-4	Pin 3		4	*			
C20	451410-8	Roller		4	*			
C30	422963-4	Wiper		1	*			
A01C	127828-2	Nozzle assembly		1	*			
C10	268208-4	Pin 3		4	*			
C20	451410-8	Roller		4	*			
C30	422963-4	Wiper		1	*			
A01-1 A	127827-4	Nozzle assembly	O	1				
C10	268208-4	Pin 3		4				
C20	451410-8	Roller		4				
C30	422963-4	Wiper		1				
A01-1 B	127825-8	Nozzle assembly	O	1				
C10	268208-4	Pin 3		4				
C20	451410-8	Roller		4				
C30	422963-4	Wiper		1				
A01-1 C	127828-2	Nozzle assembly	O	1				
C10	268208-4	Pin 3		4				
C20	451410-8	Roller		4				
C30	422963-4	Wiper		1				
A02A	413859-0	Sash nozzle		1				

A02B	413770-6	Sash nozzle		1					
A02C	413809-5	Sash nozzle		1					
A03A	459355-4	Nozzle holder		1					
A03B	459354-6	Nozzle holder		1					
A03C	459038-6	Nozzle holder		1					
A04A	459356-2	Pipe		1					
A04B	459353-8	Pipe		1					
A04C	458942-6	Pipe		1					
F04	191D76-3	Straight pipe 340 set		1					
F05	191D77-1	Straight pipe 340 set		1					
F06	191D78-9	Straight pipe 340 set		1					
F07	191D79-7	Straight pipe 320 set		1					
F08	191D80-2	Straight pipe 320 set		1					
F09	191D81-0	Straight pipe 320 set		1					
F10	191E30-3	Flexible hose with lock set		1					
F11	191X06-4	Nozzle assembly set		1					
F12	1910C7-9	High performance filter set		1					
F13	1910C9-5	Filter H set		1					
F14	1910D3-4	Cyclone unit set		1					
F15	1910D4-2	Cyclone unit set		1					
F16	1910D5-0	Cyclone unit set		1					
F17	1910Y3-1	Telescopic pipe set		1					
F18	1911L1-0	Cleaner stand set		1					
F19	198538-8	Shelf brush set		1					
F20	198540-1	Shelf brush set		1					
F21	198545-1	Flexible hose set		1					
F22	198547-7	Flexible hose set		1					
F23	198553-2	Round brush set		1					
F24	198555-8	Round brush set		1					
F25	198868-7	Flexible hose set		1					
F26	198873-4	Shelf brush set		1					
F27	198878-4	Round brush set		1					
F28	198919-6	Long corner nozzle set		1					
F29	198990-0	Long corner nozzle set		1					
F30	198992-6	Long corner nozzle set		1					
F31	199038-1	Seat nozzle set		1					
F32	199039-9	Seat nozzle set		1					
F33	199041-2	Seat nozzle set		1					
F34	199439-3	Crevice nozzle 415 set		1					
F35	199901-8	Tool bag set		1					

Please state Parts No. when your order.

Print Date 03/27/2026