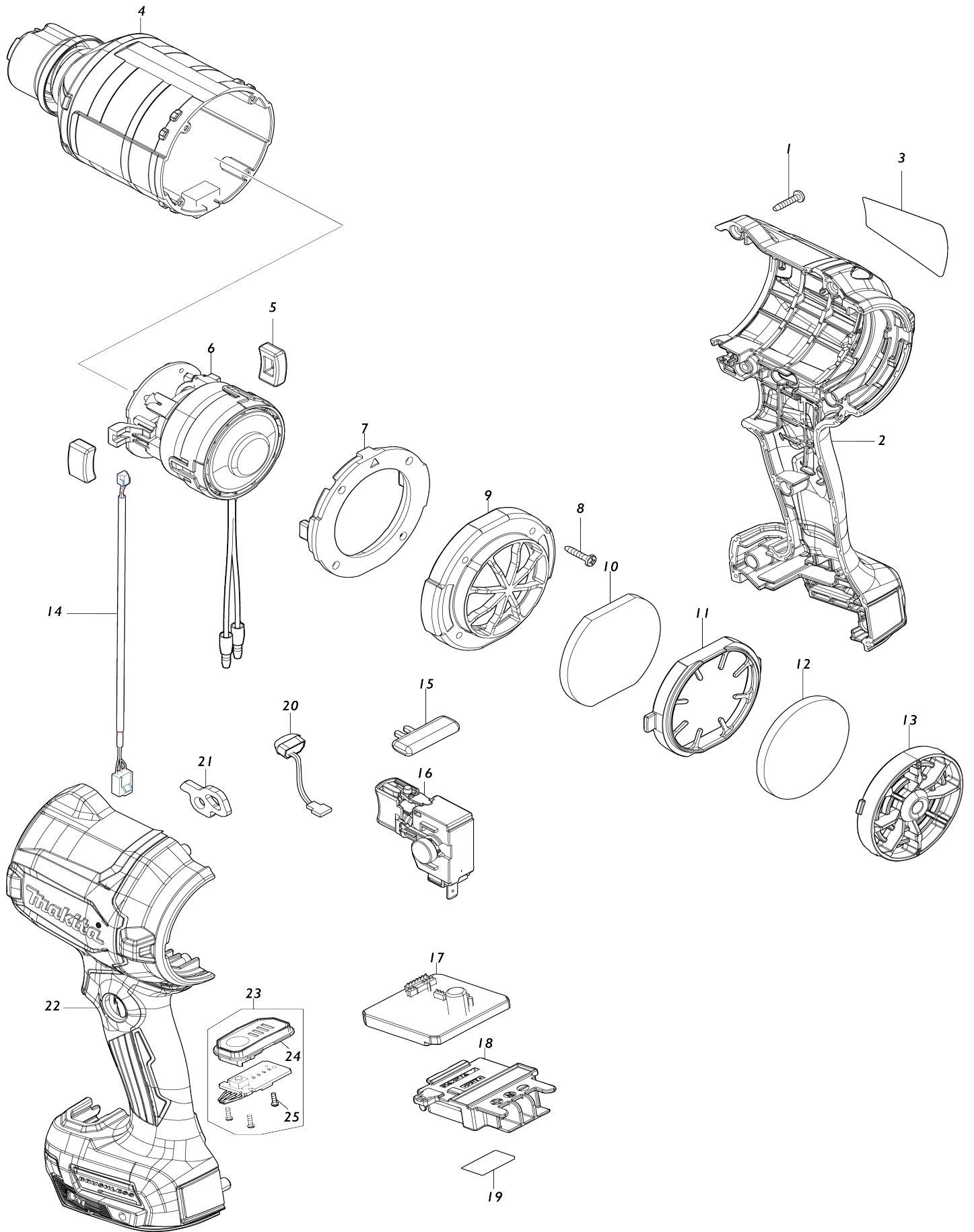


Model No.DAS180 Cordless Dust Blower



Model No.DAS180 Cordless Dust Blower

Item No.	Parts No.	Description	Interchangability	Q'ty	New/Old	Sales Price (USD)	Purchase Price(USD)	Note1	Note2
001	266130-9	Binding head tapping screw 3X16		8					
002	183Y77-1	Housing set		1					
C10	263005-3	Rubber pin 6		2					
C20	252126-6	Hex. lock nut M4-7		2					
C30	8045T0-0	Caution label		1					
002		INC. 22							
003	8588A8-1	Name plate DAS180		1					
004	141K56-1	Motor housing complete		1					
C10	422826-4	Sponge sheet		1					
005	422816-7	Motor cover seal		2					
006	629B99-4	Motor assembly		1	*				
006-1	629C73-8	Motor assembly	<	1					
007	422817-5	Motor cover		1					
008	266130-9	Binding head tapping screw 3X16		4					
009	413C47-7	Rear cover		1					
010	422824-8	Filter A		1					
011	413C49-3	Filter holder		1					
012	422825-6	Filter B		1					
013	141G57-5	Dust cap complete		1					
C10	263032-0	Rubber pin 4		2					
014	638A30-3	Lead unit		1					
015	412697-7	Lock off button		1					
016	650019-5	Switch C3JW-4B-L		1					
017	620L90-5	Controller		1					
018	643874-2	Terminal		1					
019	8588B4-6	Serial No. label DAS180		1					
020	620521-2	LED circuit		1					
021	347914-5	Strap ring		1					
022	183Y77-1	Housing set		1					
C10	263005-3	Rubber pin 6		2					
C20	252126-6	Hex. lock nut M4-7		2					
C30	8045T0-0	Caution label		1					
022		INC. 2							
023	620L89-0	Indication circuit complete		1					
023		INC. 24,25							
024	687E52-4	Switch plate complete		1					
025	266490-9	Pan head tapping screw 2X6		3					
A01	191X19-5	Wide range nozzle set		1					
A02	191X11-1	Nozzle 3 set		1					
A03	191X13-7	Nozzle 7 set		1					
A04	191X15-3	Nozzle 13 set		1					
A05	191X17-9	Pinch valve nozzle set		1					
A06	831304-7	Accessory bag		1					
F06	191X21-8	Flexible nozzle complete set		1					
F07	191X23-4	Air vent hose complete set		1					
F08	191X25-0	Rubber attachment 20-30 set		1					

F09	191X27-6	Rubber attachment 65 set		1					
F10	191X29-2	Filter C complete set		1					
F11	195779-7	Hook set		1					
F12	191X78-9	Long nozzle set		1					

Please state Parts No. when your order.

Print Date 03/25/2026