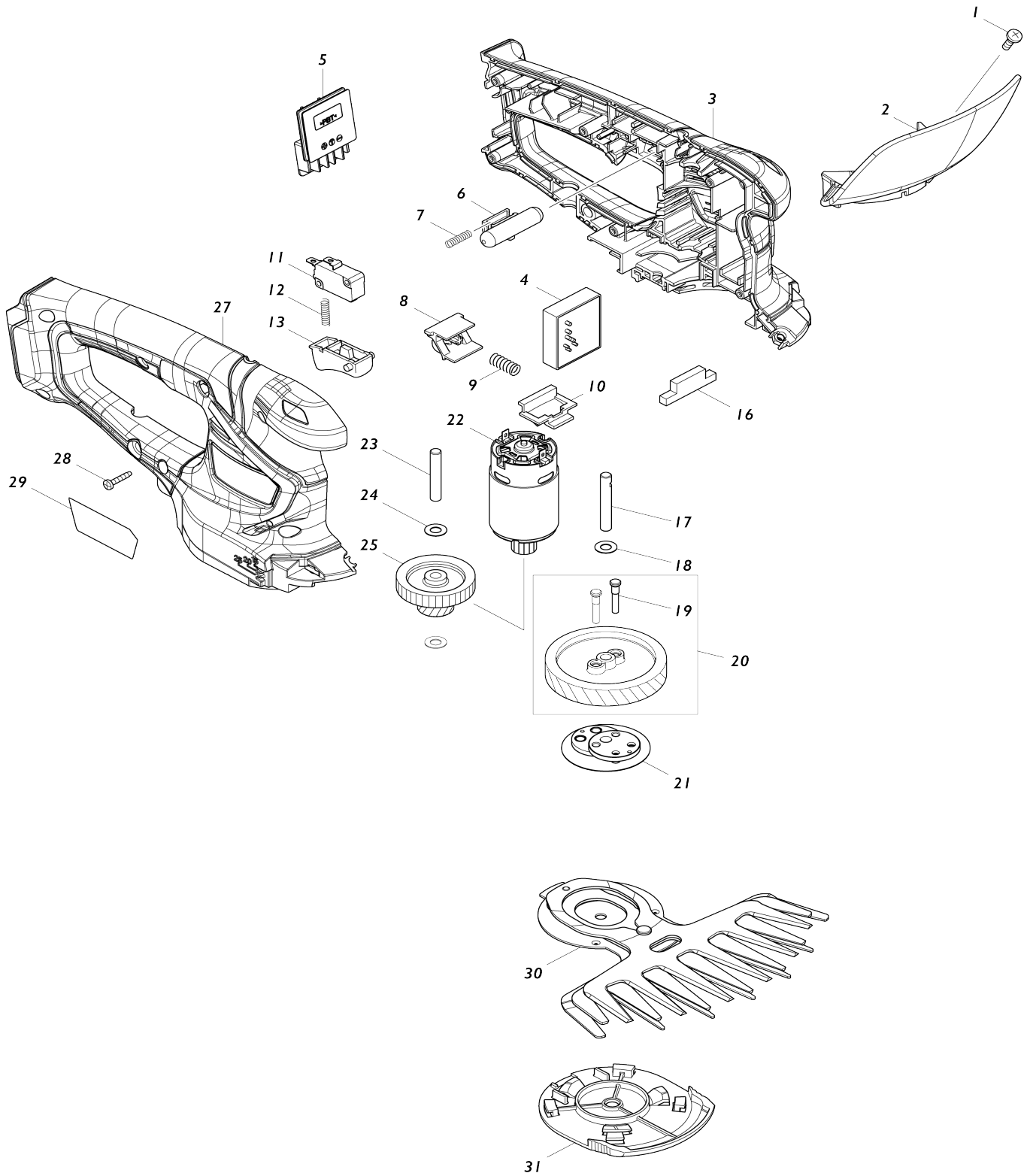


Model No.UM600D 160MM CORDLESS GRASS SHEAR



Model No.UM600D 160MM CORDLESS GRASS SHEAR

Item No.	Parts No.	Description	Interchangeability	Q'ty	New/Old	Sales Price (USD)	Purchase Price(USD)	Note1	Note2
001	915116-7	BINDING HEAD SCREW M4X12		1					
002	144342-3	PROTECTOR COMPLETE		1	*				
C10	819948-3	CAUTION LABEL		1	*				
002-1	140V97-0	PROTECTOR COMPLETE	<	1	*				
C10	819948-3	CAUTION LABEL		1	*				
C11	819948-3	CAUTION LABEL	<	1	*				
002-1 D	140V97-0	PROTECTOR COMPLETE		1	*				
C10	819948-3	CAUTION LABEL		1	*				
C11	819948-3	CAUTION LABEL	<	1	*				
002-2	1410D3-4	PROTECTOR COMPLETE	O	1					
C12	8072W3-6	CAUTION LABEL	O	1					
003	183G04-0	HOUSING SET		1	*				
C10	931102-0	HEX. NUT M4		1	*				
C20	263002-9	RUBBER PIN 4		2	*				
C30	346275-0	PLATE		2	*				
003		INC. 27			*				
003-1	183U51-5	HOUSING SET	S	1					
C10	931102-0	HEX. NUT M4		1					
C20	263002-9	RUBBER PIN 4		2					
C30	346275-0	PLATE		2					
003-1		INC. 27							
003-1 D	183U51-5	HOUSING SET		1					
C10	931102-0	HEX. NUT M4		1					
C20	263002-9	RUBBER PIN 4		2					
C30	346275-0	PLATE		2					
003-1 D		INC. 27							
004	632K10-1	CONTROLLER UNIT		1	*				
004-1	632R77-1	CONTROLLER UNIT	<	1					
C20	654086-2	RECEPTACLE		2					
004-1 D	632R77-1	CONTROLLER UNIT		1					
C20	654086-2	RECEPTACLE		2					
005	644813-5	TERMINAL		1					
006	452438-9	LOCK OFF BUTTON		1	*				
006-1	413A16-6	LOCK OFF BUTTON	S	1					
006-1 D	413A16-6	LOCK OFF BUTTON		1					
007	231473-8	COMPRESSION SPRING 4		1					
008	457534-8	SLIDE PLATE		1					
009	234339-1	COMPRESSION SPRING 6		1					
010	454879-5	LOCK LEVER		1					
011	650744-8	SWITCH D3V-16-3C26		1					
012	231473-8	COMPRESSION SPRING 4		1					
013	417564-1	SWITCH LEVER		1					
016	451814-4	DUST GUARD		1					
017	268254-7	PIN 6		1					

018	253715-0	FLAT WASHER 6		1				
019	268256-3	PIN 4		2				
020	135883-0	HELICAL GEAR 47 ASS'Y		1				
020		INC. 19						
021	161598-3	CRANK COMPLETE		1				
022	629258-8	DC MOTOR		1				
023	268076-5	PIN 6		1				
024	253715-0	FLAT WASHER 6		2				
025	226831-1	GEAR 12-31		1				
027	183G04-0	HOUSING SET		1	*			
C10	931102-0	HEX. NUT M4		1	*			
C20	263002-9	RUBBER PIN 4		2	*			
C30	346275-0	PLATE		2	*			
027		INC. 3			*			
027-1	183U51-5	HOUSING SET	S	1				
C10	931102-0	HEX. NUT M4		1				
C20	263002-9	RUBBER PIN 4		2				
C30	346275-0	PLATE		2				
027-1		INC. 3						
027-1 D	183U51-5	HOUSING SET		1				
C10	931102-0	HEX. NUT M4		1				
C20	263002-9	RUBBER PIN 4		2				
C30	346275-0	PLATE		2				
027-1 D		INC. 3						
028	266429-2	TAPPING SCREW 3X16		6				
029	852Y86-8	UM600D NAME PLATE		1				
030	195176-7	SHEAR BLADE ASSEMBLY SET		1	*			
C10	188369-3	OIL VESSEL SET		1	*			
030-1	195267-4	SHEAR BLADE ASSEMBLY SET	<	1	*			
C10	188369-3	OIL VESSEL SET		1	*			
030-2	195267-4	SHEAR BLADE ASSEMBLY SET	O	1				
C10	188369-3	OIL VESSEL SET		1				
030-2 D	195267-4	SHEAR BLADE ASSEMBLY SET		1				
C10	188369-3	OIL VESSEL SET		1				
031	140451-6	UNDER COVER COMPLETE		1				
A01	452055-5	BLADE COVER		1				
A02	457426-1	GRASS RECEIVER 160		1				
A03D	198408-1	SHEAR BLADE ASSEMBLY 200 S S ET		1				
C10	188369-3	OIL VESSEL SET		1				
A04D	198401-5	CHIP RECEIVER SET		1				
A05D	195274-7	BLADE COVER SET		1				
C10	452198-3	STORAGE CASE		1				
A06	456128-6	BATTERY COVER		2				
A07	***DC10WD	DC10WD BATTERY CHARGER		1				
A07		COMPO-PARTS						
A08B	197393-5	BATTERY BL1016 SET		2	*			
A08C	197396-9	BATTERY BL1021B SET		2	*			
A08-1 B	199291-9	BATTERY BL1016 SET	<	2	*			

A08-1 C	199290-1	BATTERY BL1021B SET	<	2	*				
A08-2 B	199291-9	BATTERY BL1016 SET	<	2					
A08-2 C	199290-1	BATTERY BL1021B SET	<	2					
F02-1	195267-4	SHEAR BLADE ASSEMBLY SET	O	1					
F07	198401-5	CHIP RECEIVER SET		1					
F09	198408-1	SHEAR BLADE ASSEMBLY 200 S S ET		1					

Please state Parts No. when your order.

Print Date 02/10/2025